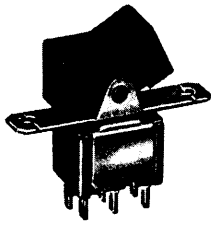


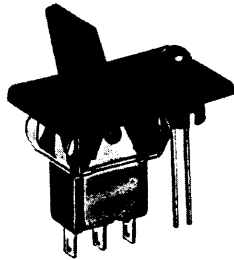


918-003 to 918-015
7000 Series

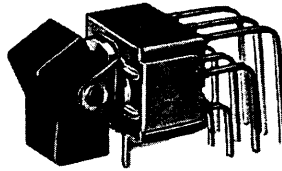
Rocker and Lever Handle Switches



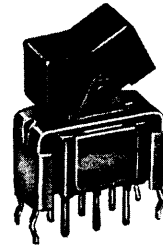
7201J1ZQE2



7101J62ZQE22



7301J1AV2BE2



7201J1V61BE2

models available, see page B-4.

Easy Build-A-Switch

Below is a complete listing of available options for 7000 SERIES ROCKER AND LEVER HANDLE SWITCHES. Build-A-Switch allows you to mix and match options to create the switch you need—simply select desired option from each category. Switches with standard options are shown on page B-3; all available options are shown and described on pages B-4 thru B-23. When building a part number, some ordering format boxes may not be filled. Dashes, hyphens or spaces in the part number are not significant, and are shown for clarity only. Complete HOW TO ORDER information is at the end of this section, page B-23. Hardware and accessories are available separately, see section K. All models have epoxy terminal seal, and are compatible with 'bottom-wash' PC board cleaning methods.

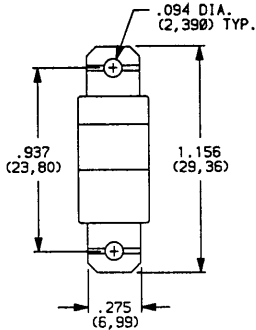
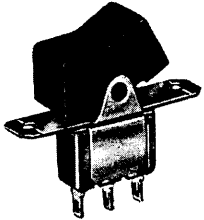
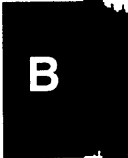
SWITCH FUNCTION		ACTUATOR	TERMINATIONS		CONTACT MATERIAL	SEAL	ACTUATOR COLOR	FRAME COLOR
					Silver		Black	Black
7101	U11	J1	A	W	B	E	1	(NONE)
7103	U13	J2	A3	W1	G	I	2	1
7105	U15	J3	AV2	W3	K		3	2
7107	U17	J4	AV3	W4	L			3
7108	U18	J5	AV5	W5	M			C
7109	U19	J8	AW	Z	Q			S
7201	U21	J10	AW1	Z3				
7203	U23	J11	AW3					
7205	U25	J15	AW4					
7207	U27	J16	AW5					
7208	U28	J19	C					
7209	U29	J21	V2					
7211	U211	J25	V3					
7213	U213	J26	V4					
7215	U215	J37	V5					
7301	U31	J47	V6					
7303	U33	J50	V7					
7305	U35	J51	V8					
7307	U37	J52	V9					
7308	U38	J53	V21					
7309	U39	J54	V31					
7401	U41	J57	V41					
7403	U43	J60	V51					
7405	U45	J61	V54					
7407	U47	J62	V55					
7408	U48	J63	V61					
7409	U49	J64	V71					
7411	U411	J76	V81					
7413	U413	J90	V91					
7415	U415	J91						
		J92						
		J93						
		J94						



7000 Series

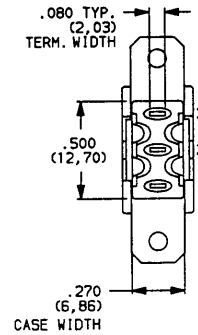
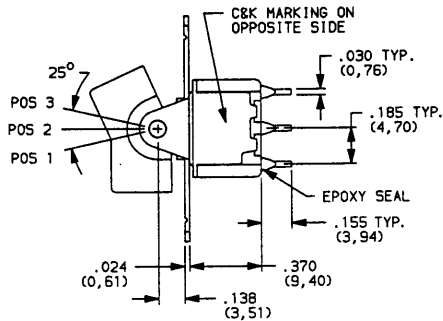
Rocker and Lever Handle Switches

SWITCHES WITH STANDARD OPTIONS

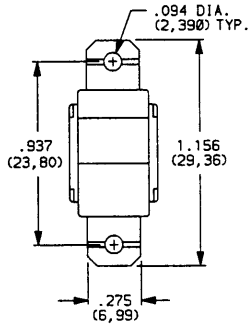
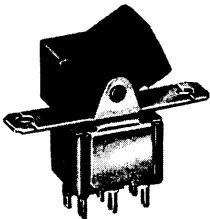


SPDT Model

Part No. Shown: 7101J1ZQE2

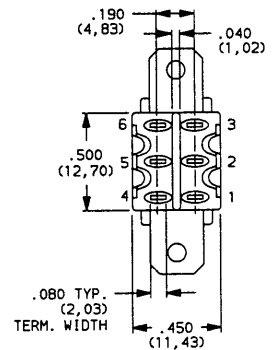
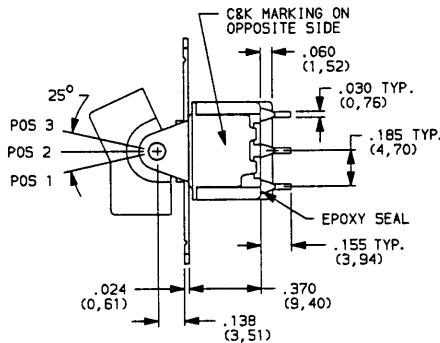


Terminal Nos. For Reference Only

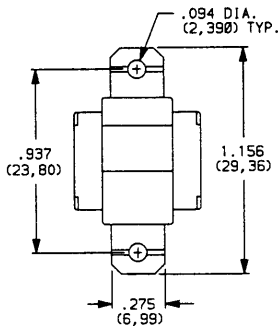
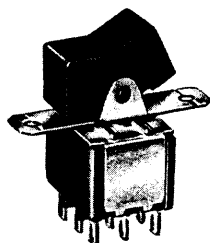


DPDT Model

Part No. Shown: 7201J1ZQE2

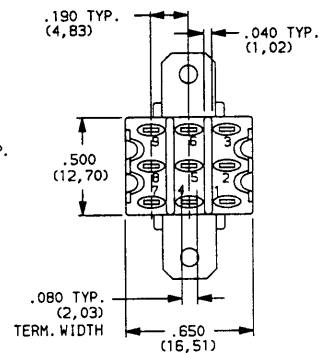
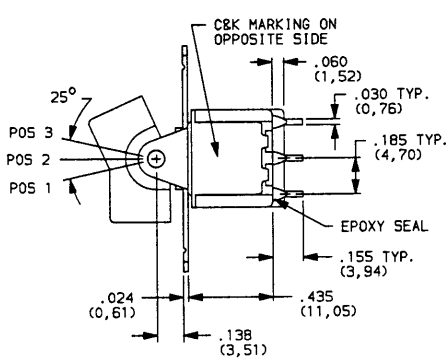


Terminal Nos. For Reference Only

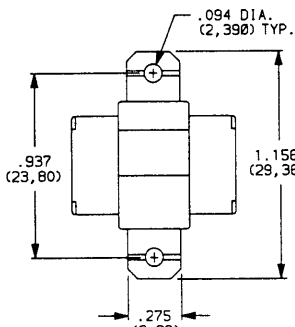
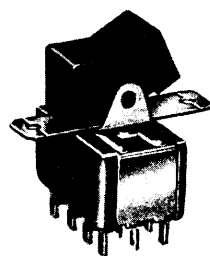


3PDT Model

Part No. Shown: 7301J1ZQE2

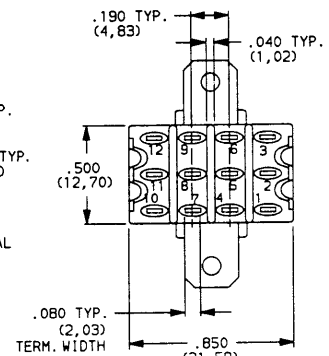
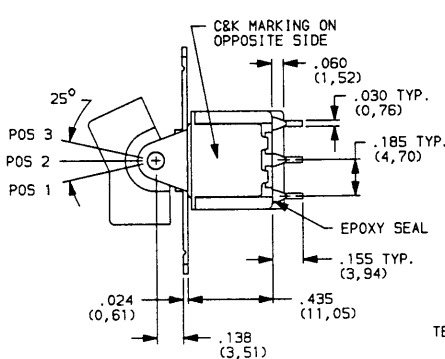


Terminal Nos. For Reference Only



4PDT Model

Part No. Shown: 7401J1ZQE2



Terminal Nos. For Reference Only



7000 Series

Rocker and Lever Handle Switches

SWITCH FUNCTION

NO. POLES	MODEL NO.	UL/CSA** MODEL NO.	SWITCH FUNCTION			CONNECTED TERMINALS			SCHEMATIC
			POS. 1	POS. 2	POS. 3	POS. 1	POS. 2	POS. 3	
SP	7101	U11	ON	NONE	ON	2-3	OPEN	2-1	
	7103	U13	ON	OFF	ON				
	7105	U15	MOM.	OFF	MOM.				
	7107	U17	ON	OFF	MOM.				
	7108	U18	ON	NONE	MOM.				
	7109	U19	NONE	ON	MOM.				
DP	7201	U21	ON	NONE	ON	2-3, 5-6	OPEN	2-1, 5-4	
	7203	U23	ON	OFF	ON				
	7205	U25	MOM.	OFF	MOM.				
	7207	U27	ON	OFF	MOM.				
	7208	U28	ON	NONE	MOM.	N/A	2-3, 5-6	2-1, 5-4	
	7209	U29	NONE	ON	MOM.				
	7211*	U211*	ON	ON	ON				
	7213*	U213*	ON	ON	MOM.				
7215*	U215*	MOM.	ON	MOM.					
3P	7301	U31	ON	NONE	ON	2-3, 5-6, 8-9	OPEN	2-1, 5-4, 8-7	
	7303	U33	ON	OFF	ON				
	7305	U35	MOM.	OFF	MOM.				
	7307	U37	ON	OFF	MOM.				
	7308	U38	ON	NONE	MOM.				
	7309	U39	NONE	ON	MOM.	N/A	2-3, 5-6, 8-9	2-1, 5-4, 8-7	
4P	7401	U41	ON	NONE	ON	2-3, 5-6, 8-9, 11-12	OPEN	2-1, 5-4, 8-7, 11-10	
	7403	U43	ON	OFF	ON				
	7405	U45	MOM.	OFF	MOM.				
	7407	U47	ON	OFF	MOM.				
	7408	U48	ON	NONE	MOM.	N/A	2-3, 5-6, 8-9, 11-12	2-1, 5-4, 8-7, 11-10	
	7409	U49	NONE	ON	MOM.				
	7411*	U411*	ON	ON	ON				
	7413*	U413*	ON	ON	MOM.				
7415*	U415*	MOM.	ON	MOM.					

MOM. = Momentary

* Wiring for 3-way switch, see page X.

**U11 - U415 model nos. with all options when ordered with G, L, M or Q contact material.

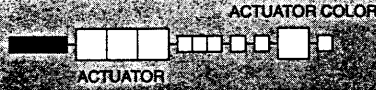
See AGENCY APPROVALS, page VIII.



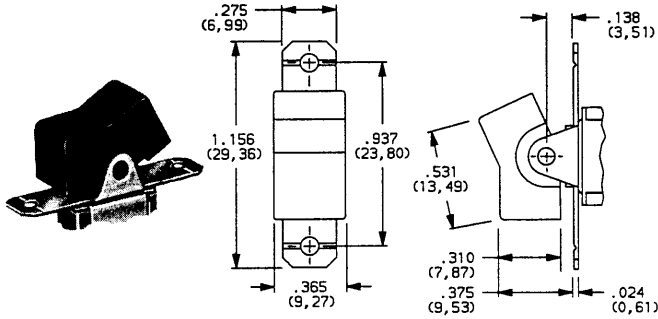
7000 Series

Rocker and Lever Handle Switches

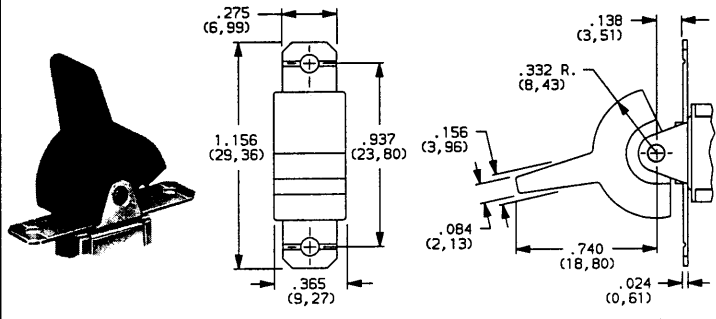
ACTUATOR—PANEL REAR MOUNT



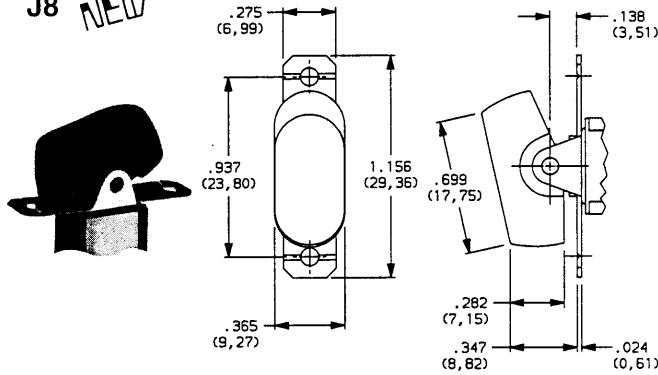
J1 (STD.)



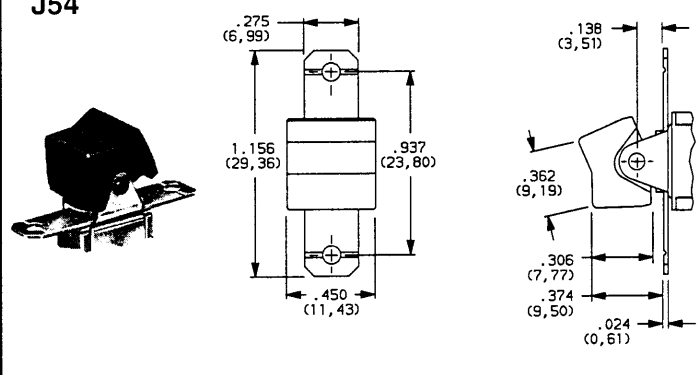
J2



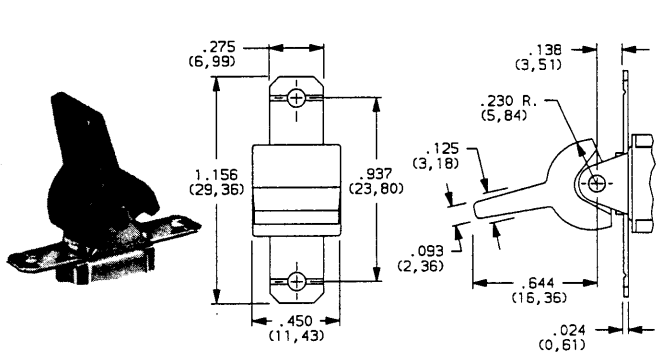
J8 NEW



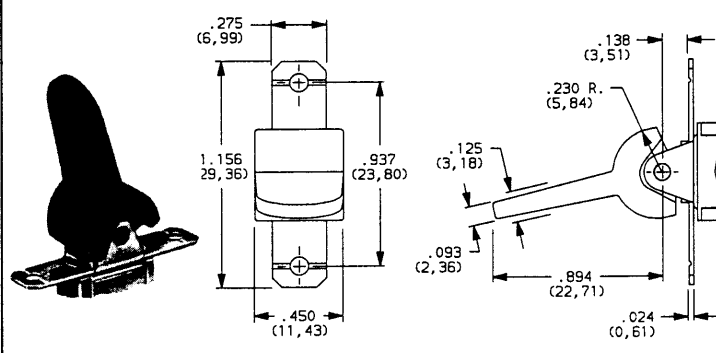
J54



J64



J94



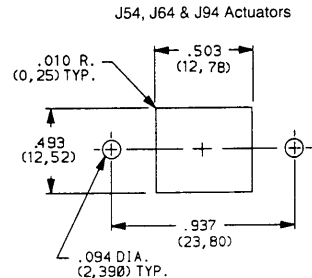
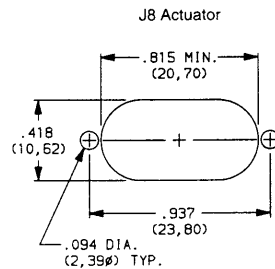
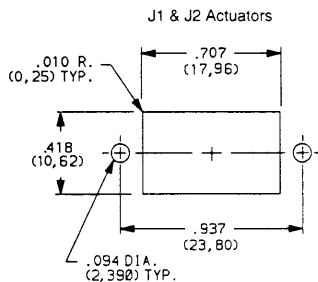
ACTUATOR COLOR

OPTION CODE	COLOR
1	WHITE
2	BLACK (Std.)
3	RED

Finish: Matte. Other colors, custom actuator markings and legends available, consult factory.

NOTE: Mounting hardware included, see HOW TO ORDER, page B-23. Hardware is available separately, see section K. Available with C, W-W5, Z or Z3 terminations.

PANEL MOUNTING





7000 Series

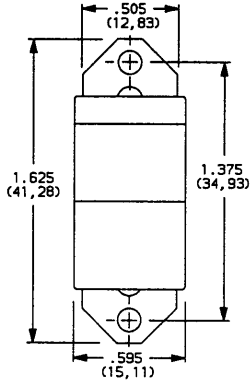
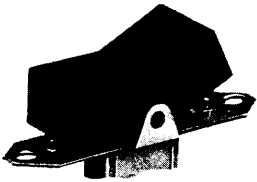
Rocker and Lever Handle Switches

ACTUATOR—PANEL REAR MOUNT

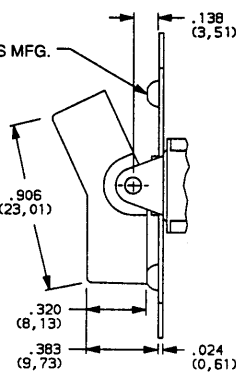
ACTUATOR COLOR

ACTUATOR

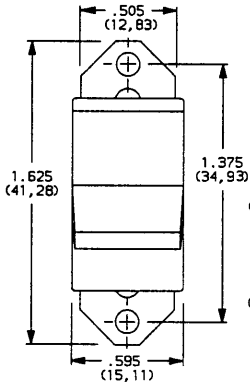
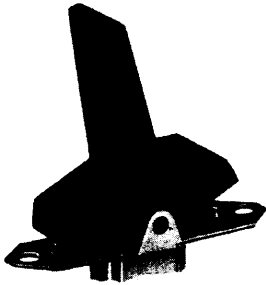
J3



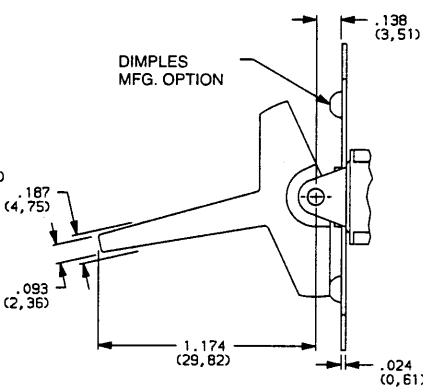
DIMPLES MFG. OPTION



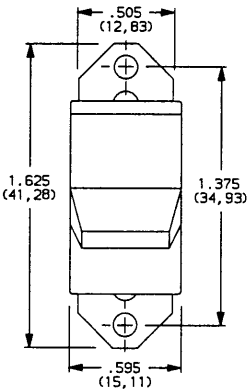
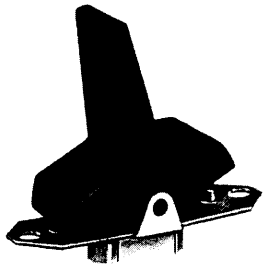
J4



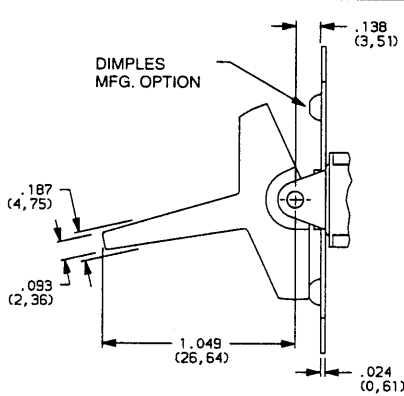
DIMPLES MFG. OPTION



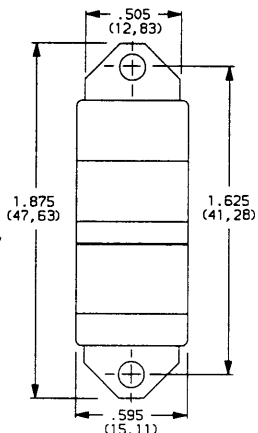
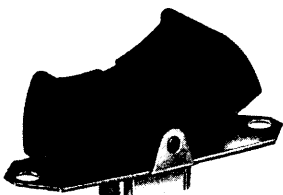
J5



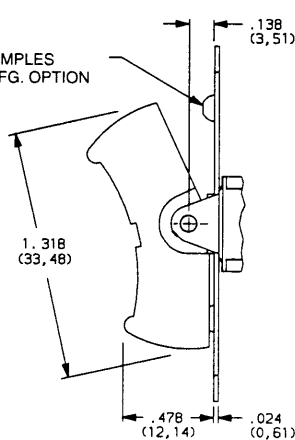
DIMPLES MFG. OPTION



J10



DIMPLES MFG. OPTION



ACTUATOR COLOR

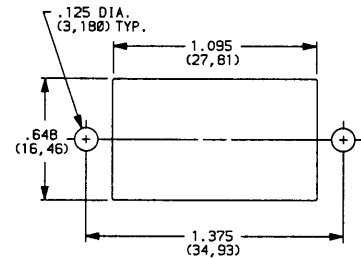
OPTION CODE	COLOR
1	WHITE
2	BLACK (Std.)
3	RED

Finish: Matte. Other colors, custom actuator markings and legends available, consult factory.

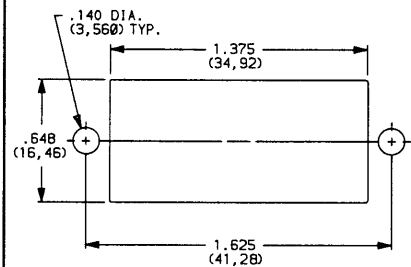
NOTE: Mounting hardware included, see HOW TO ORDER, page B-23. Hardware is available separately, see section K Available with C, W-W5, Z or Z3 terminations.

PANEL MOUNTING

J3, J4 & J5 Actuators



J10 Actuator





7000 Series

Rocker and Lever Handle Switches

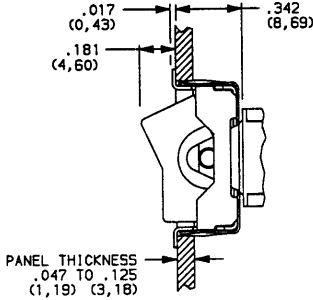
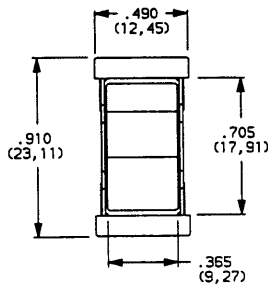
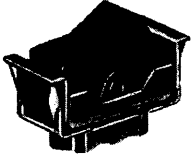
ACTUATOR—SNAP-IN FRONT MOUNT

ACTUATOR COLOR

ACTUATOR

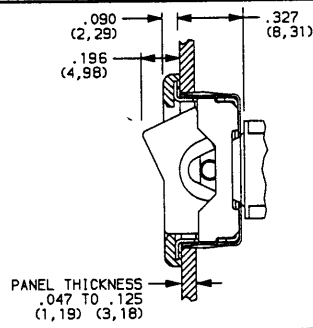
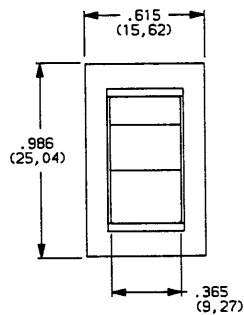
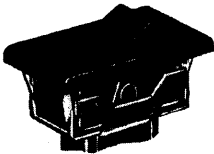
FRAME COLOR

J15

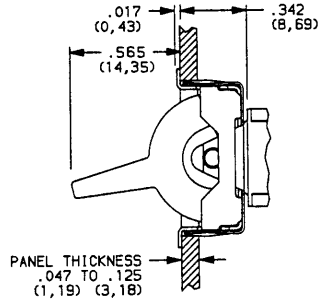
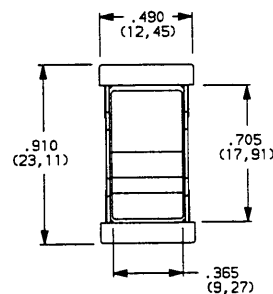
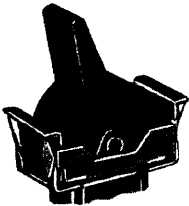


No frame color choice required.

J16

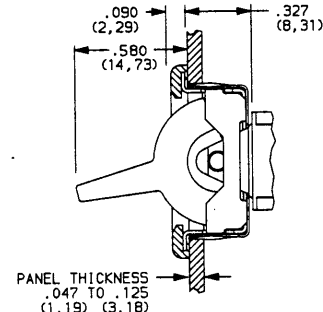
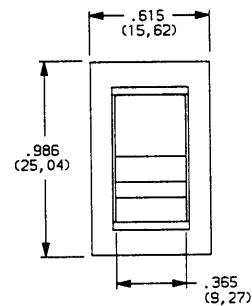
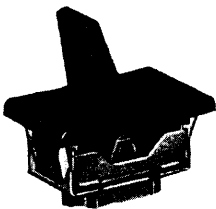


J25

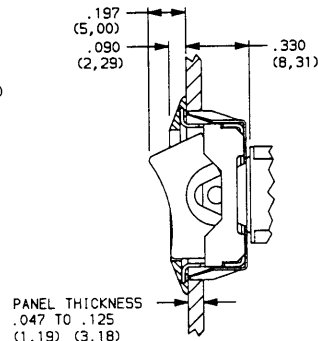
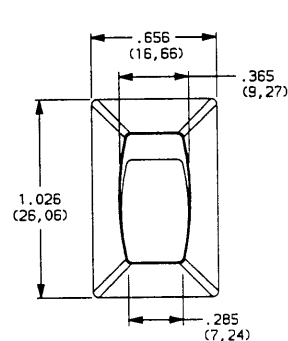


No frame color choice required.

J26



J76 NEW



ACTUATOR COLOR

OPTION CODE	COLOR
1	WHITE
2	BLACK (Std.)
3	RED

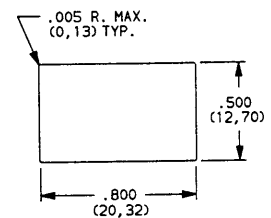
FRAME COLOR

OPTION CODE	COLOR
(NONE)	No Frame Color (J15 or J25 options)
1	WHITE
2	BLACK (Std.)
3	RED

Finish: Matte. Other colors, custom actuator markings and legends available, consult factory.

NOTE: Frames are available separately, see section K. Available with 71XX, 72XX, U1XX & U2XX models and C, W-W5, Z and Z3 terminations.

PANEL MOUNTING



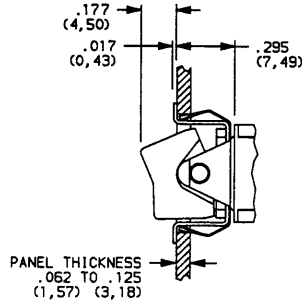
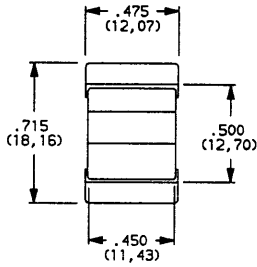
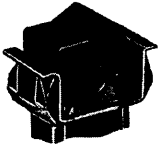


7000 Series

Rocker and Lever Handle Switches

ACTUATOR — SNAP-IN FRONT MOUNT

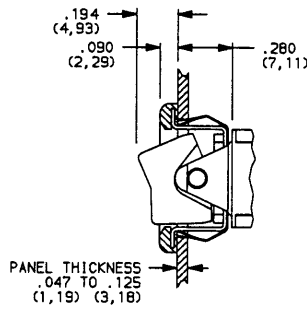
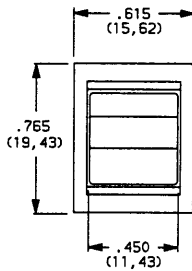
J50



PANEL THICKNESS
.062 TO .125
(1,57) (3,18)

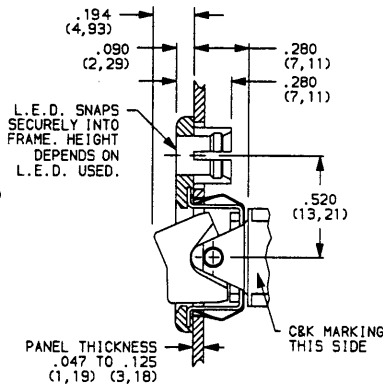
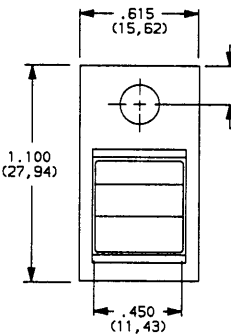
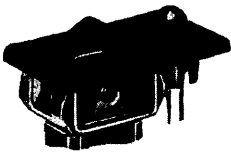
No frame color choice required.

J51



PANEL THICKNESS
.047 TO .125
(1,19) (3,18)

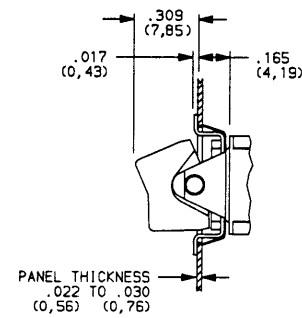
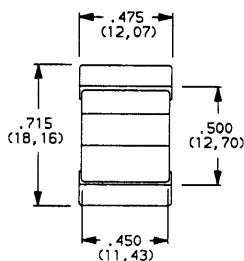
J52



PANEL THICKNESS
.047 TO .125
(1,19) (3,18)

LED not included.
See page IX for LED information.

J53



PANEL THICKNESS
.022 TO .030
(0,56) (0,76)

No frame color choice required.

ACTUATOR COLOR

OPTION CODE	COLOR
1	WHITE
2	BLACK (Std.)
3	RED

FRAME COLOR

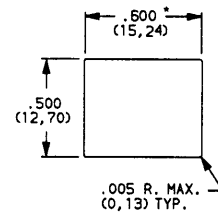
OPTION CODE	COLOR
(NONE)	No Frame Color (J50 or J53 options)
1	WHITE
2	BLACK (Std.)
3	RED

Finish: Matte. Other colors, custom actuator markings and legends available, consult factory.

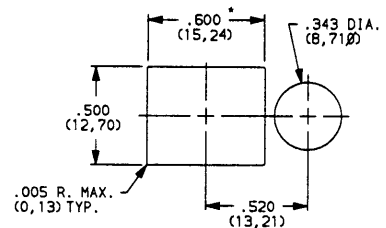
NOTE: Frames are available separately, see section K. Available with 71XX, 72XX, U1XX & U2XX models and C, W-W5, Z and Z3 terminations.

PANEL MOUNTING

J50, J51 & J53 Actuators



J52 Actuator



* For J50: Increase this dimension to .620/.625 (15,75/15,88) for .091/.125 (2,31/3,18) thk. panels. For J51, J52: Increase this dimension to .620/.625 (15,75/15,88) for .060/.125 (1,52/3,18) thk. panels.



7000 Series

Rocker and Lever Handle Switches

ACTUATOR—SNAP-IN FRONT MOUNT

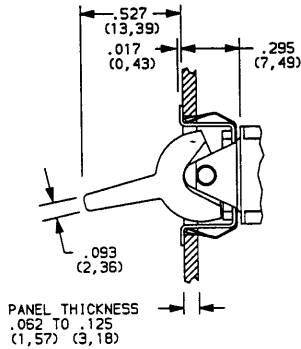
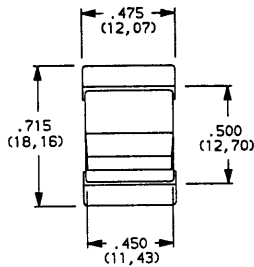
ACTUATOR COLOR



ACTUATOR

FRAME COLOR

J60



No frame color choice required.

ACTUATOR COLOR

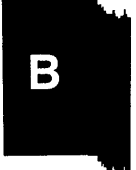
OPTION CODE	COLORS
1	WHITE
2	BLACK (Std.)
3	RED

FRAME COLOR

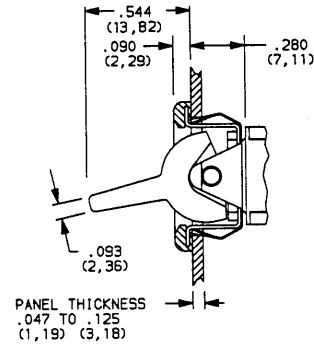
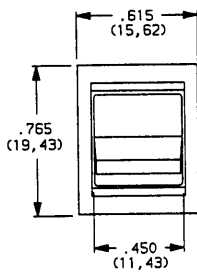
OPTION CODE	COLORS
(NONE)	No Frame Color (J60 or J63 options)
1	WHITE
2	BLACK (Std.)
3	RED

Finish: Matte. Other colors, custom actuator markings and legends available, consult factory.

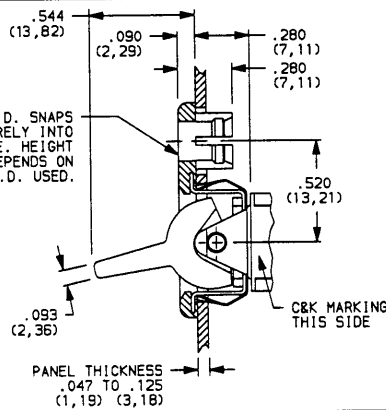
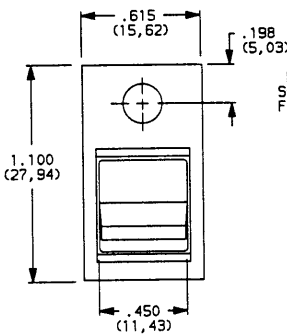
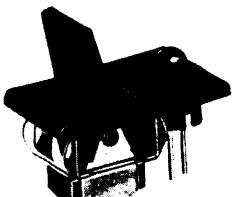
NOTE: Frames are available separately, see section K. Available with 71XX, 72XX, U1XX & U2XX models and C, W-W5, Z & Z3 terminations.



J61



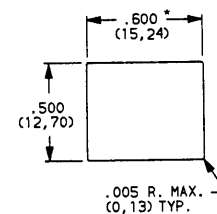
J62



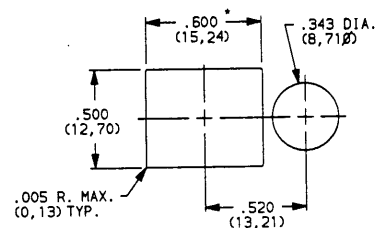
LED not included. See page IX for LED information.

PANEL MOUNTING

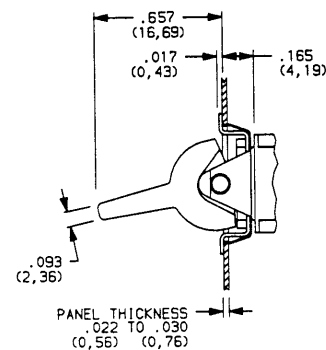
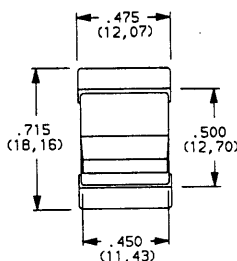
J60, J61 & J63 Actuators



J62 Actuator



J63



No frame color choice required.

* For J60: Increase this dimension to .620/.625 (15,75/15,88) for .091/.125 (2,31/3,18) thk. panels. For J61, J62: Increase this dimension to .620/.625 (15,75/15,88) for .060/.125 (1,52/3,18) thk. panels.



7000 Series

Rocker and Lever Handle Switches

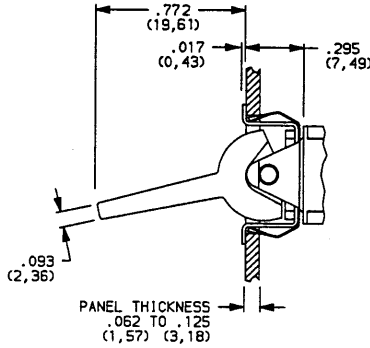
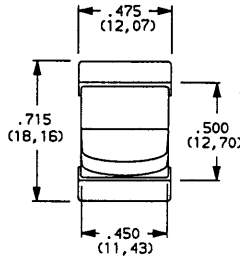
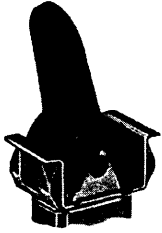
ACTUATOR — SNAP-IN FRONT MOUNT

ACTUATOR COLOR

ACTUATOR

FRAME COLOR

J90



No frame color choice required.

ACTUATOR COLOR

OPTION CODE	COLOR
1	WHITE
2	BLACK (Std.)
3	RED

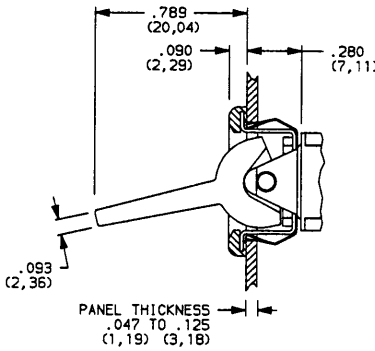
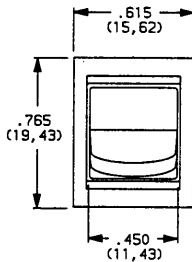
FRAME COLOR

OPTION CODE	COLOR
(NONE)	No Frame Color (J90 or J93 options)
1	WHITE
2	BLACK (Std.)
3	RED

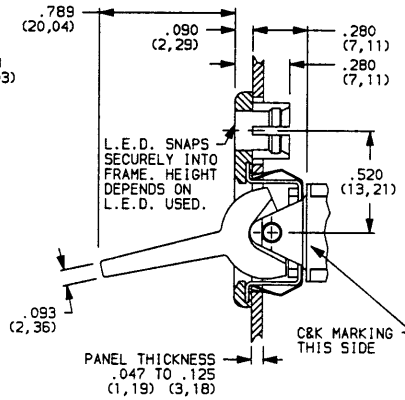
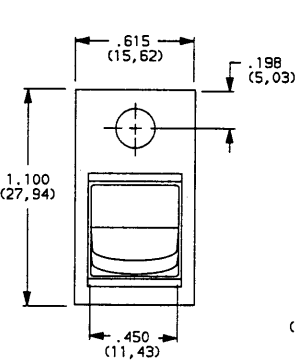
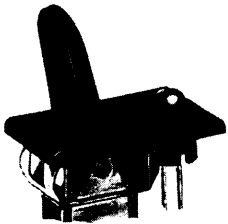
Finish: Matte. Other colors, custom actuator markings and legends available, consult factory.

NOTE: Frames are available separately, see section K. Available with 71XX, 72XX, U1XX & U2XX models and C, W-W5, Z & Z3 terminations.

J91



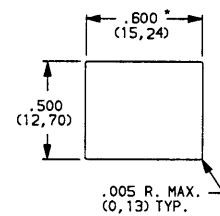
J92



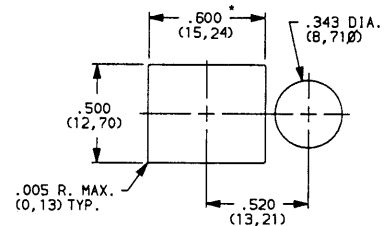
LED not included. See page IX for LED information.

PANEL MOUNTING

J90, J91 & J93 Actuators

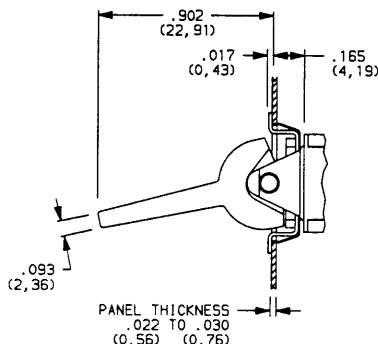
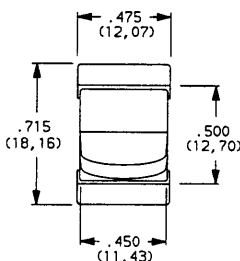


J92 Actuator



* For J90: Increase this dimension to .620/.625 (15,75/15,88) for .091/.125 (2,31/3,18) thk. panels. For J91, J92: Increase this dimension to .620/.625 (15,75/15,88) for .060/.125 (1,52/3,18) thk. panels.

J93



No frame color choice required.

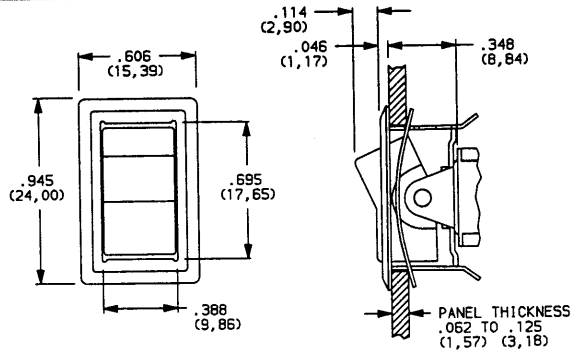


7000 Series

Rocker and Lever Handle Switches

ACTUATOR — REAR MOUNT

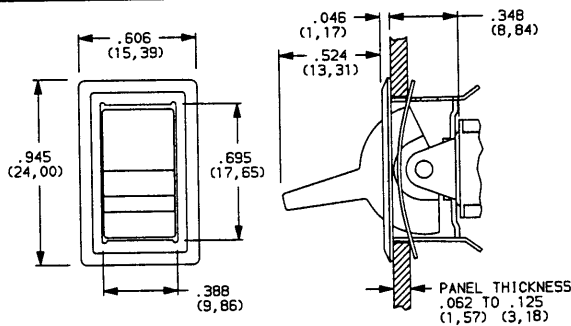
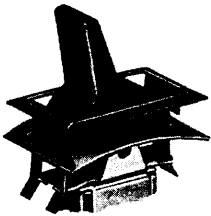
J11



ACTUATOR COLOR

OPTION CODE	COLOR
1	WHITE
2	BLACK (Std.)
3	RED

J21



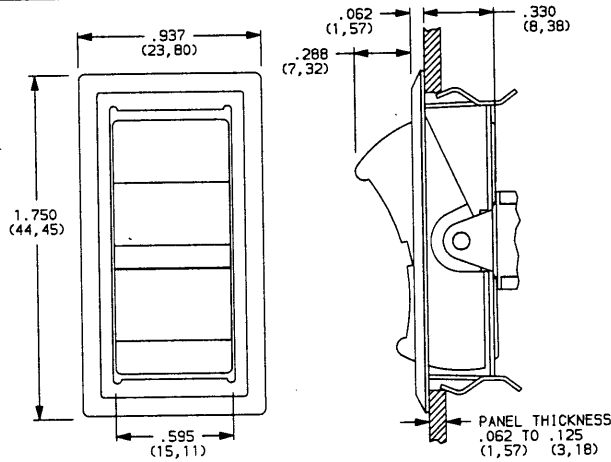
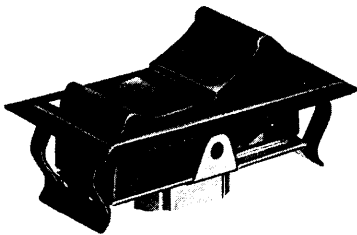
FRAME COLOR

OPTION CODE	COLOR
1	WHITE
2	BLACK (Std.)
C	BRIGHT CHROME
S	SATIN CHROME

Actuator finish: Matte. Frame finish: Gloss. Other colors, custom actuator markings and legends available, consult factory.

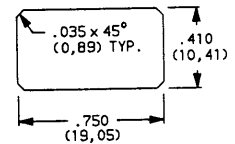
NOTE: Frames are available separately, see section K. Available with C, W-W5, Z & Z3 terminations.

J19

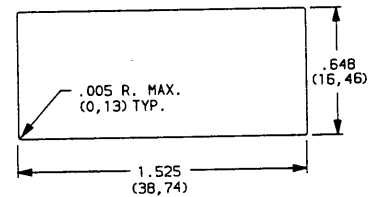


PANEL MOUNTING

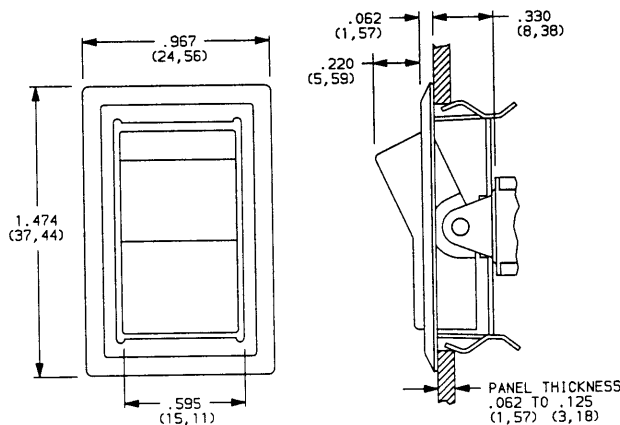
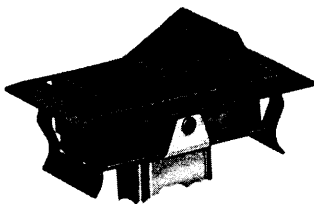
J11 & J21 Actuators



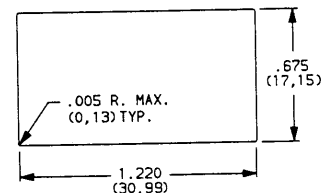
J19 Actuator



J37



J37 Actuator

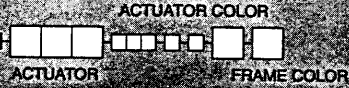




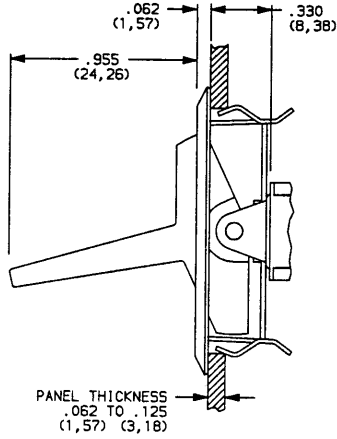
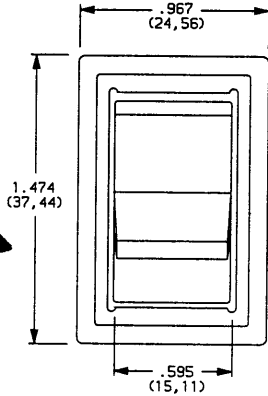
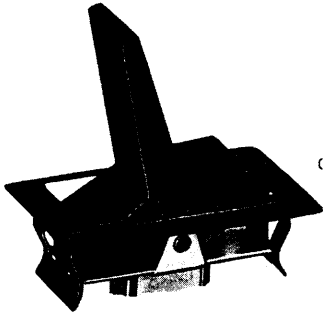
7000 Series

Rocker and Lever Handle Switches

ACTUATOR — REAR MOUNT



J47



ACTUATOR COLOR

OPTION CODE	COLOR
1	WHITE
2	BLACK (Std.)
3	RED

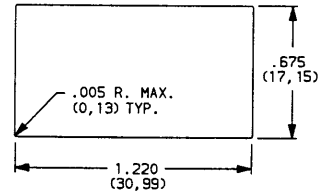
FRAME COLOR

OPTION CODE	COLOR
1	WHITE
2	BLACK (Std.)
C	BRIGHT CHROME
S	SATIN CHROME

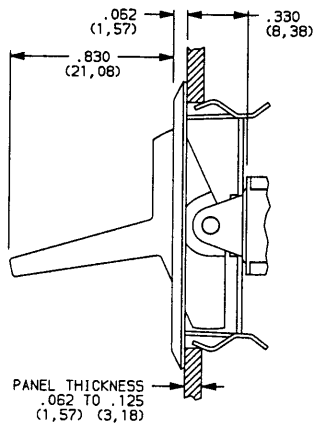
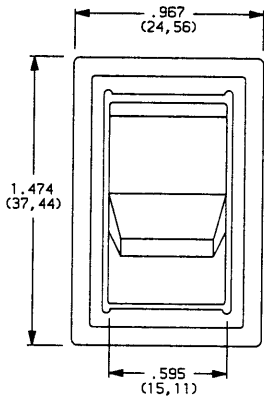
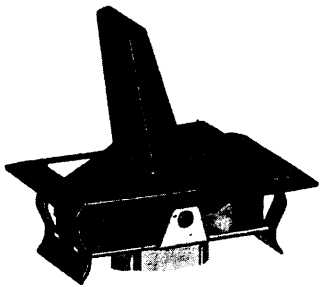
Actuator finish: Matte. Frame finish: Gloss. Other colors, custom actuator markings and legends available, consult factory.

NOTE: Frames are available separately, see section K. Available with C, W-W5, Z & Z3 terminations.

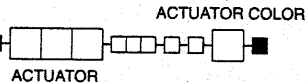
PANEL MOUNTING



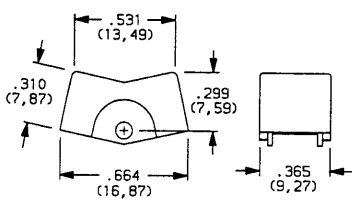
J57



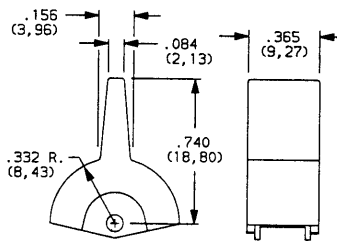
ACTUATOR — PC MOUNT



J1



J2



ACTUATOR COLOR

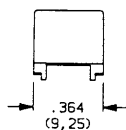
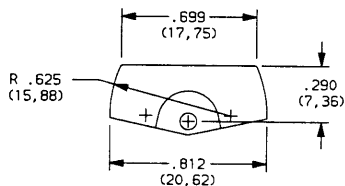
OPTION CODE	COLOR
1	WHITE
2	BLACK (Std.)
3	RED

Finish: Matte. Other colors, custom actuator markings and legends available, consult factory.

NOTE: Some permissible actuator/termination combinations may lack clearance between actuator and PC board, and care must be exercised to accommodate this condition.

Actuators are available separately, see section K. J1, J2 & J8 actuators available with A, A3, AV2-AV5, AW-AW5 & V2-V91 terminations.

J8 **NEW**





7000 Series

Rocker and Lever Handle Switches

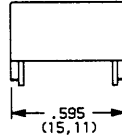
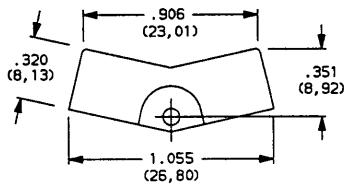
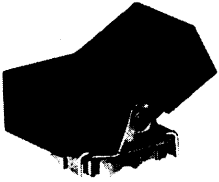
ACTUATOR—PC MOUNT

ACTUATOR COLOR

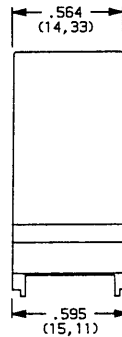
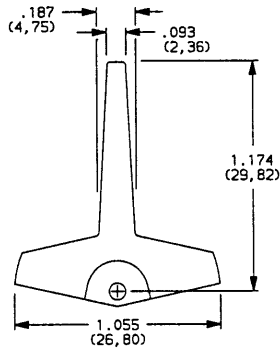
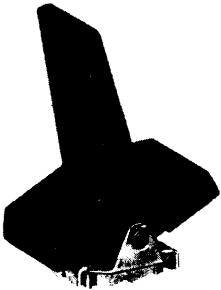


ACTUATOR

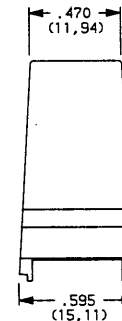
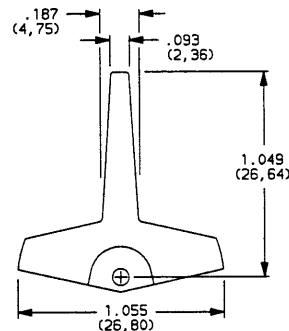
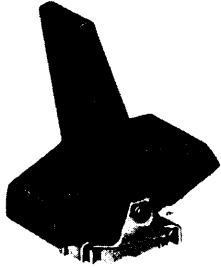
J3



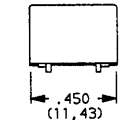
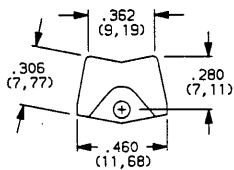
J4



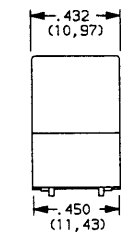
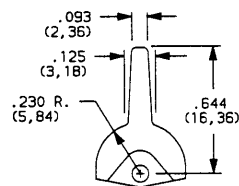
J5



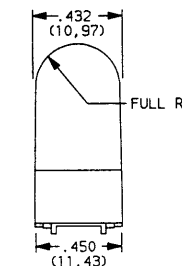
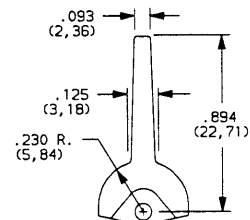
J50



J60



J90



ACTUATOR COLOR

OPTION CODE	COLOR
1	WHITE
2	BLACK (Std.)
3	RED

Finish: Matte. Other colors, custom actuator markings and legends available, consult factory.

NOTE: Some permissible actuator/termination combinations may lack clearance between actuator and PC board, and care must be exercised to accommodate this condition.

Actuators are available separately, see section K. J3, J4 & J5 actuators available with AV2-AV5 & V2-V91 terminations. J50, J60 & J90 actuators available with A (DP, 3P models only), A3 (DP, 3P models only), AV2-AV5, AW-AW5 (DP, 3P models only) & V2-V91 terminations.

B



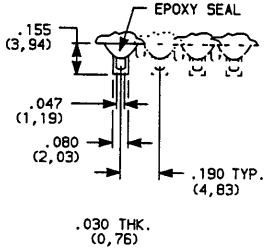


7000 Series

Rocker and Lever Handle Switches

TERMINATIONS

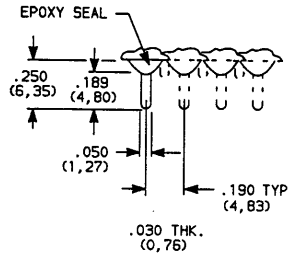
Z (STD.)



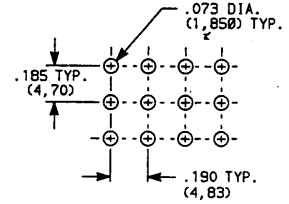
NOTE: Q contact material standard. Not available with K, L or M contact materials. Available actuators, see pages, B-5 thru B-12.

SPDT thru 4PDT Models

C



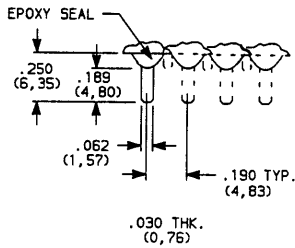
PC MOUNTING



NOTE: Q contact material standard. Available actuators, see pages, B-5 thru B-12.

SPDT thru 4PDT Models

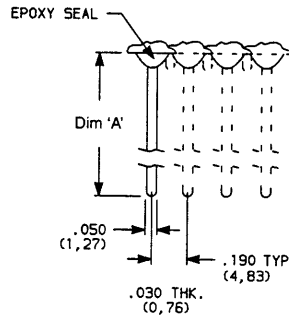
Z3 QUICK CONNECT



NOTE: Q contact material standard. Not available with K, L or M contact materials. Available actuators, see pages, B-5 thru B-12. Mating quick connector available; order P/N: 530100000.

SPDT thru 4PDT Models

W, W1, W3, W4, W5 WIRE WRAP

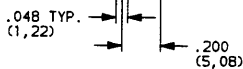
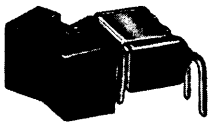


OPTION CODE	DIM 'A'
W	.750 (19,05)
W1	.964 (24,49)
W3	.425 (10,80)
W4	1.062 (26,97)
W5	1.305 (33,15)

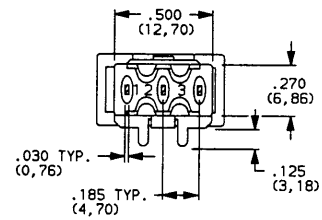
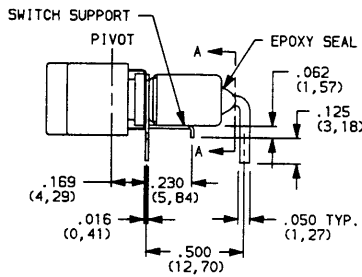
SPDT thru 4PDT Models

NOTE: B contact material standard. Available actuators, see pages, B-5 thru B-12.

A



Actuator Shown In Pos. 1



SECTION A-A

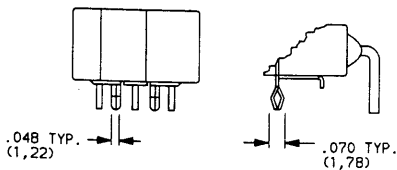
Terminal Nos. For Reference Only

SPDT Model

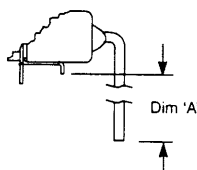
Part No. Shown: 7101J1ABE2

NOTE: Terminal bend radii and lead-in manufacturing option. B contact material standard. Not available with I seal option. Available actuators, see pages B-12 and B-13.

A3 SNAP-IN

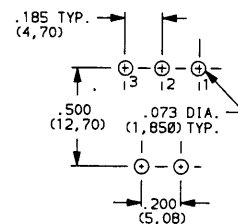


AW, AW1, AW3, AW4, AW5 EXTENDED



OPTION CODE	DIM 'A'
AW	.44 (11,2)
AW1	.66 (16,8)
AW3	.14 (3,6)
AW4	.77 (19,6)
AW5	1.02 (25,9)

PC MOUNTING



NOTE: PC pattern must clear switch leg.





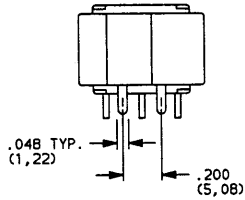
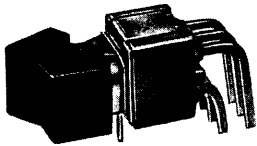
7000 Series

Rocker and Lever Handle Switches

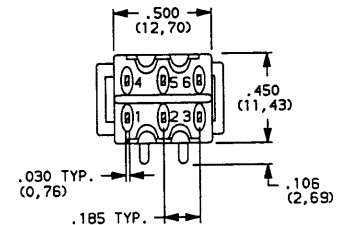
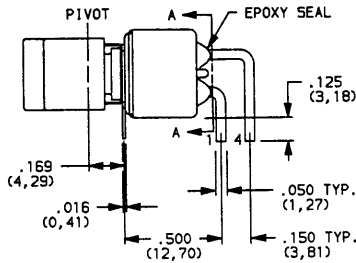
TERMINATIONS



A



Actuator Shown In Pos. 1



SECTION A-A

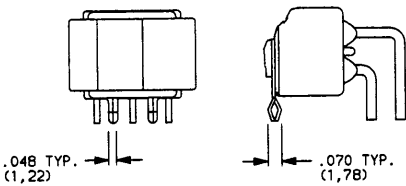
Terminal Nos. For Reference Only

NOTE: Terminal bend radii and lead-in manufacturing option. B contact material standard. Not available with I seal option. Available actuators, see pages B-12 and B-13.

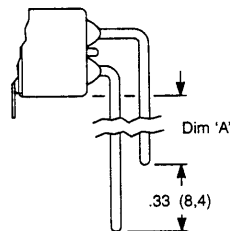
DPDT Model

Part No. Shown: 7201J1ABE2

A3 SNAP-IN

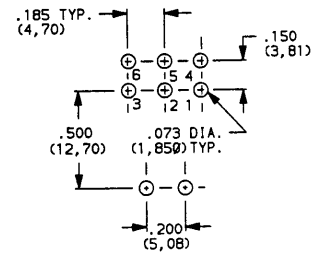


AW, AW1, AW4, AW5 EXTENDED

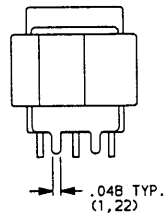
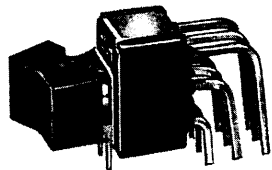


OPTION CODE	DIM 'A'
AW	.19 (4,8)
AW1	.40 (10,2)
AW4	.50 (12,7)
AW5	.74 (18,8)

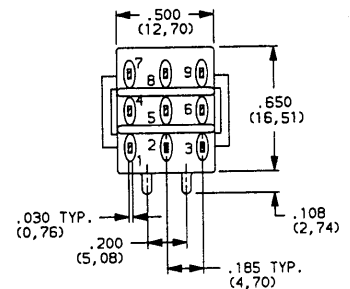
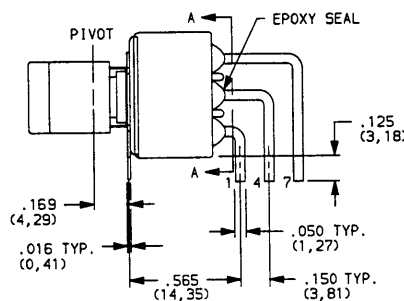
PC MOUNTING



A



Actuator Shown In Pos. 1



SECTION A-A

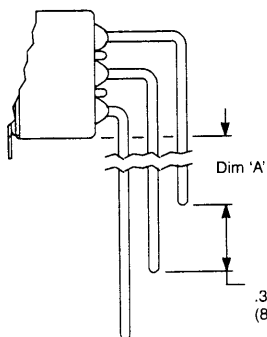
Terminal Nos. For Reference Only

NOTE: Terminal bend radii and lead-in manufacturing option. B contact material standard. Not available with I seal option. Available actuators, see pages B-12 and B-13.

3PDT Model

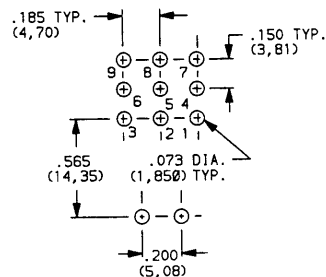
Part No. Shown: 7301J1ABE2

AW4, AW5 EXTENDED



OPTION CODE	DIM 'A'
AW4	.37 (9,4)
AW5	.40 (10,16)

PC MOUNTING



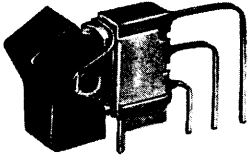


7000 Series

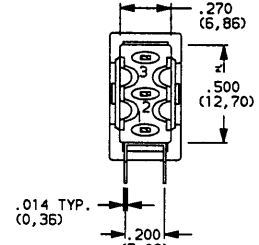
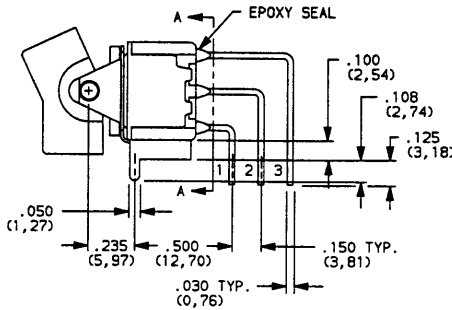
Rocker and Lever Handle Switches

TERMINATIONS

AV2



Actuator Shown In Pos. 1



SECTION A-A

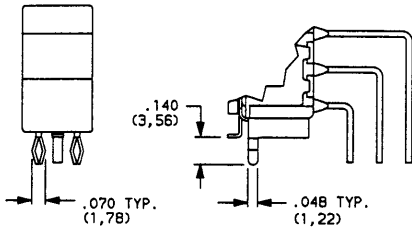
Terminal Nos. For Reference Only

NOTE: Terminal bend radii and lead-in manufacturing option. B contact material standard. Not available with I seal option. Available actuators, see pages B-12 and B-13.

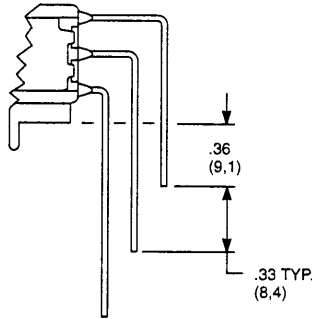
SPDT Model

Part No. Shown: 7101J1AV2BE2

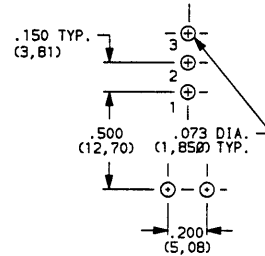
AV3 SNAP-IN



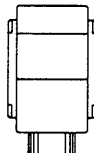
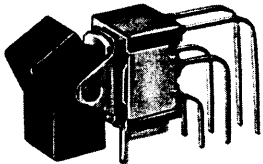
AV5 EXTENDED



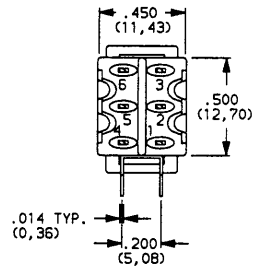
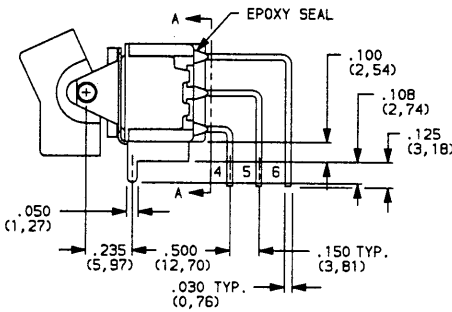
PC MOUNTING



AV2



.050 TYP. (1,27) TERM. WIDTH .190 (4,83)
Actuator Shown In Pos. 1



SECTION A-A

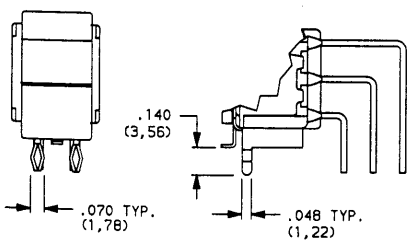
Terminal Nos. For Reference Only

NOTE: Terminal bend radii and lead-in manufacturing option. B contact material standard. Not available with I seal option. Available actuators, see pages B-12 and B-13.

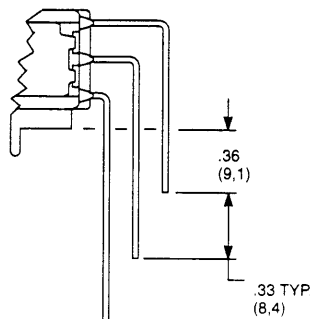
DPDT Model

Part No. Shown: 7201J1AV2BE2

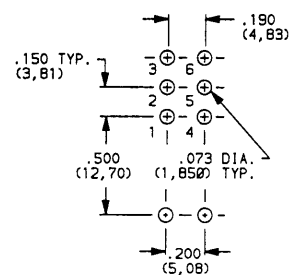
AV3 SNAP-IN



AV5 EXTENDED



PC MOUNTING



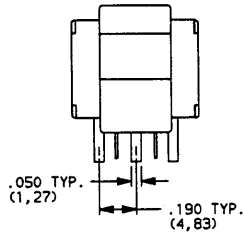
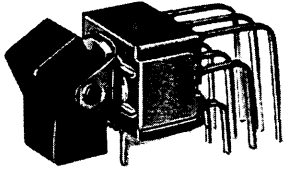


7000 Series

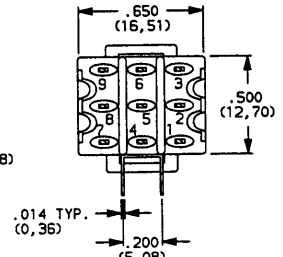
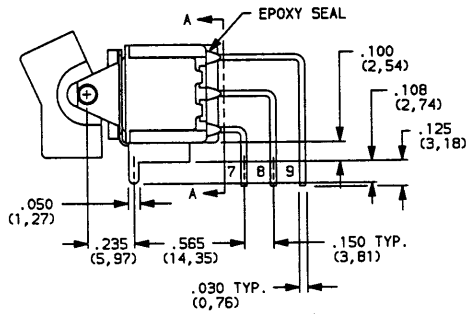
Rocker and Lever Handle Switches

TERMINATIONS

AV2



Actuator Shown In Pos. 1



SECTION A-A

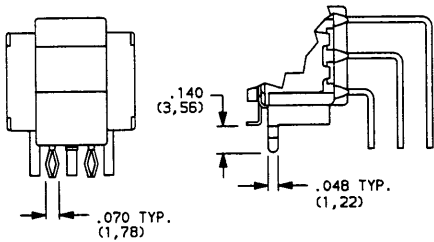
Terminal Nos. For Reference Only

NOTE: Terminal bend radii and lead-in manufacturing option. B contact material standard. Not available with I seal option. Available actuators, see pages B-12 and B-13.

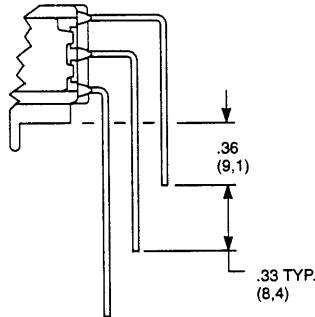
3PDT Model

Part No. Shown: 7301J1AV2BE2

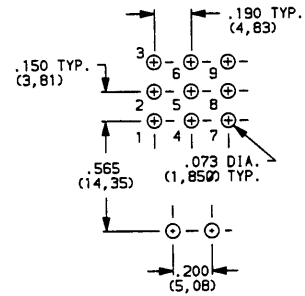
AV3 SNAP-IN



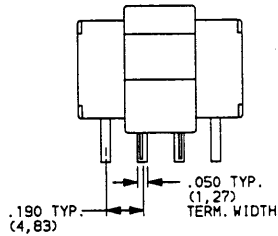
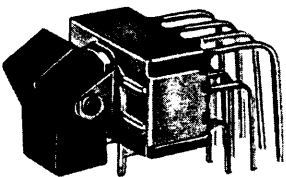
AV5 EXTENDED



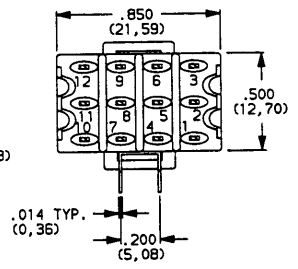
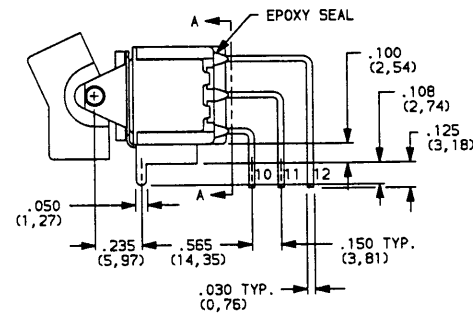
PC MOUNTING



AV2



Actuator Shown In Pos. 1



SECTION A-A

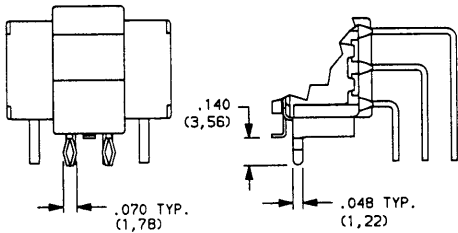
Terminal Nos. For Reference Only

NOTE: Terminal bend radii and lead-in manufacturing option. B contact material standard. Not available with I seal option. Available actuators, see pages B-12 and B-13.

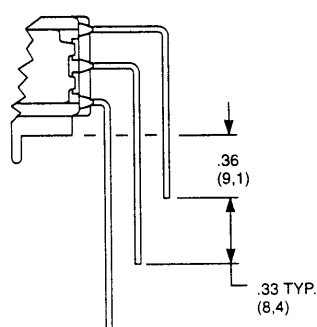
4PDT Model

Part No. Shown: 7401J1AV2BE2

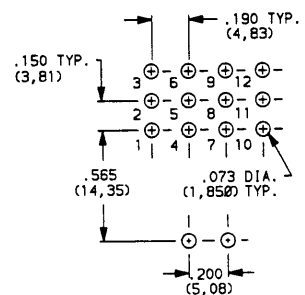
AV3 SNAP-IN



AV5 EXTENDED



PC MOUNTING



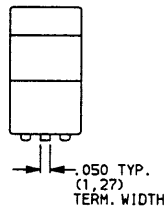
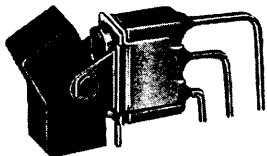


7000 Series

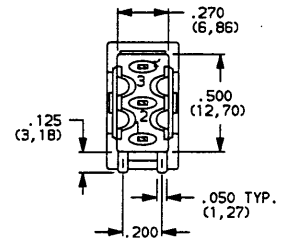
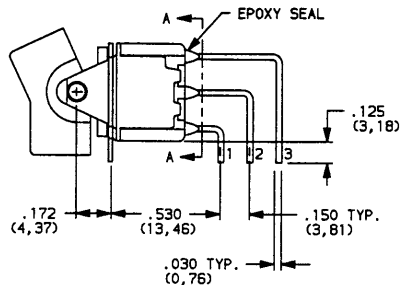
Rocker and Lever Handle Switches

TERMINATIONS

V5



Actuator Shown in Pos. 1



SECTION A-A

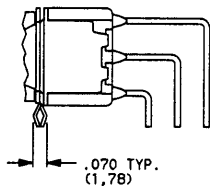
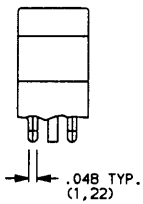
Terminal Nos. For Reference Only

NOTE: Terminal bend radii and lead-in manufacturing option. B contact material standard. Not available with I seal option. Available actuators, see pages B-12 and B-13.

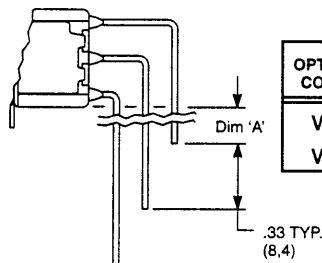
SPDT Model

Part No. Shown: 7101J1V5BE2

V51 SNAP-IN

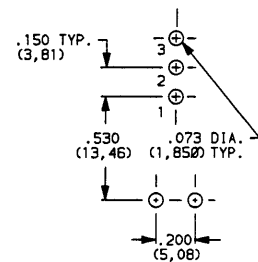


V54, V55 EXTENDED

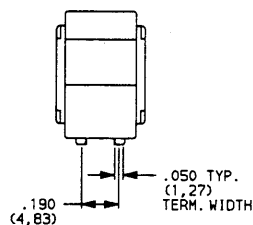
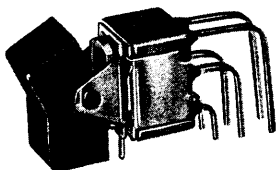


OPTION CODE	DIM 'A'
V54	.24 (6,1)
V55	.48 (12,2)

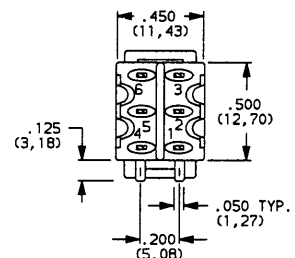
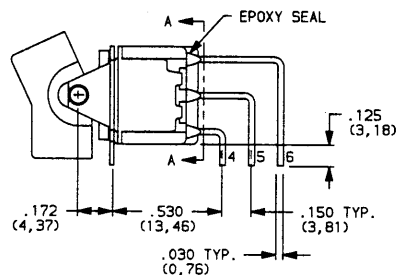
PC MOUNTING



V5



Actuator Shown in Pos. 1



SECTION A-A

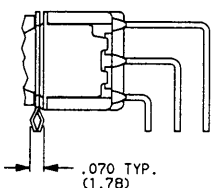
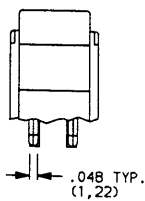
Terminal Nos. For Reference Only

NOTE: Terminal bend radii and lead-in manufacturing option. B contact material standard. Not available with I seal option. Available actuators, see pages B-12 and B-13.

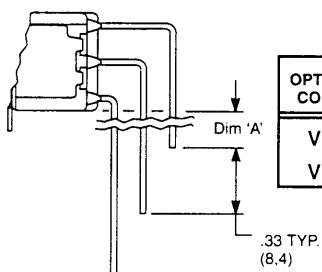
DPDT Model

Part No. Shown: 7201J1V5BE2

V51 SNAP-IN

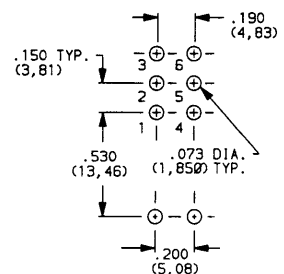


V54, V55 EXTENDED



OPTION CODE	DIM 'A'
V54	.24 (6,1)
V55	.48 (12,2)

PC MOUNTING



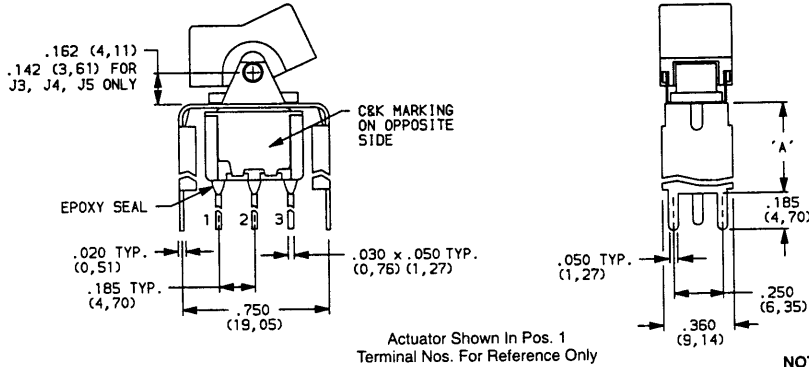
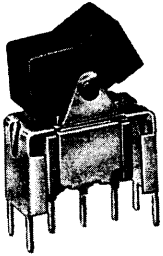


7000 Series

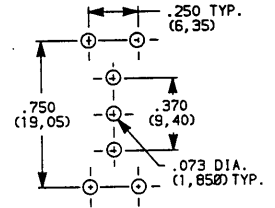
Rocker and Lever Handle Switches

TERMINATIONS

V2, V6, V7, V8



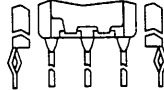
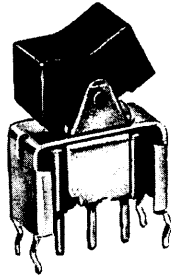
PC MOUNTING



NOTE: B contact material standard. Not available with I seal option. Available actuators, see pages B-12 and B-13.

Part No. Shown: 7101J1_BE2

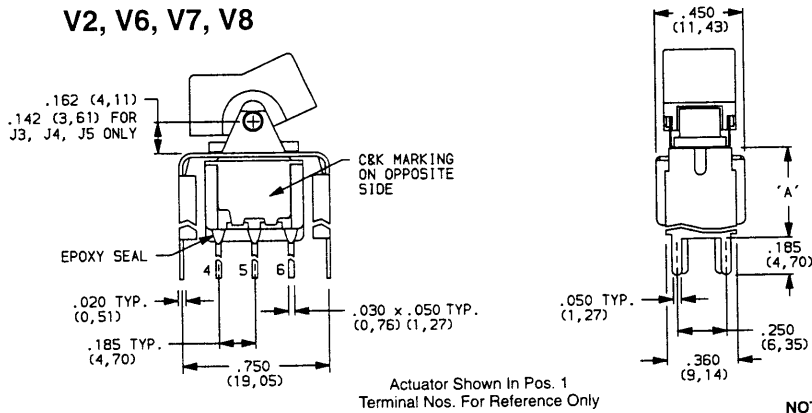
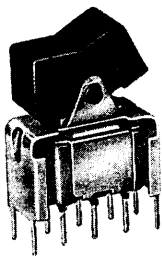
V21, V61, V71, V81 SNAP-IN



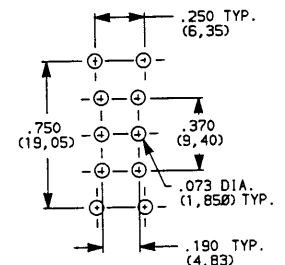
OPTION CODE	DIM 'A'
V2, V21	.555 (14,10)
V6, V61	.460 (11,68)
V7, V71	.630 (16,00)
V8, V81	.953 (24,21)

SPDT Model

V2, V6, V7, V8



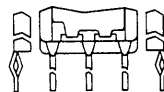
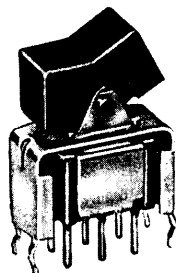
PC MOUNTING



NOTE: B contact material standard. Not available with I seal option. Available actuators, see pages B-12 and B-13.

Part No. Shown: 7201J1_BE2

V21, V61, V71, V81 SNAP-IN



OPTION CODE	DIM 'A'
V2, V21	.555 (14,10)
V6, V61	.460 (11,68)
V7, V71	.630 (16,00)
V8, V81	.953 (24,21)

DPDT Model

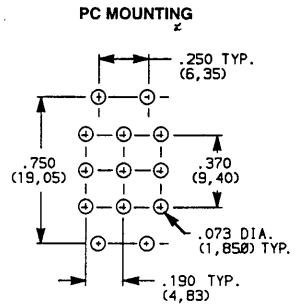
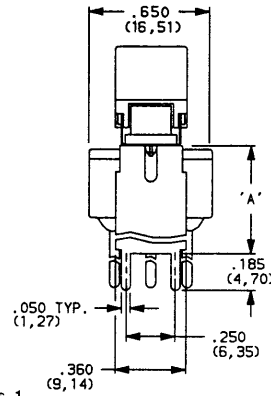
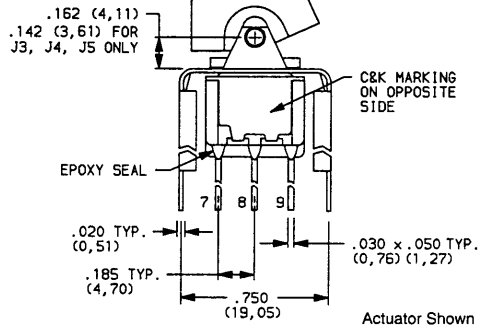
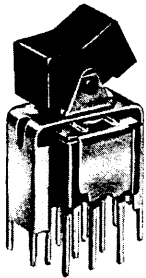


7000 Series

Rocker and Lever Handle Switches

TERMINATIONS

V2, V7, V8

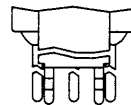
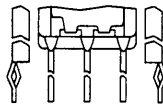
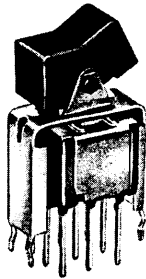


Actuator Shown In Pos. 1
Terminal Nos. For Reference Only

Part No. Shown: 7301J1_BE2

NOTE: B contact material standard. Not available with I seal option. Available actuators, see pages B-12 and B-13.

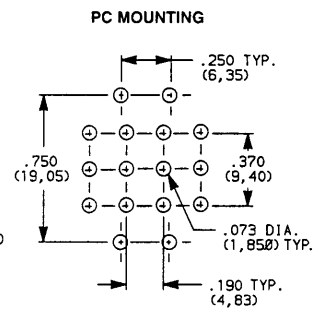
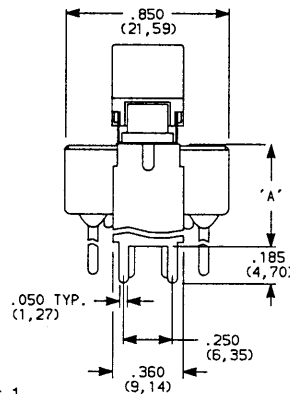
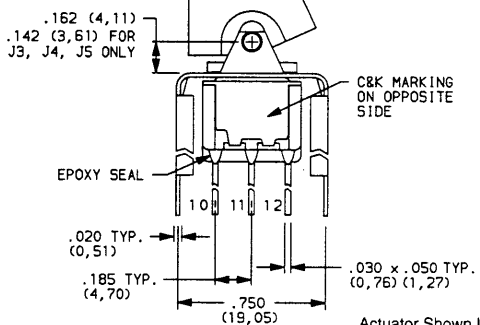
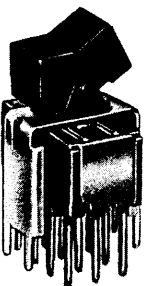
V21, V71, V81 SNAP-IN



OPTION CODE	DIM 'A'
V2, V21	.555 (14,10)
V7, V71	.630 (16,00)
V8, V81	.953 (24,21)

3PDT Model

V2, V7, V8

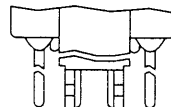
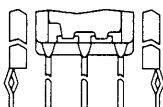
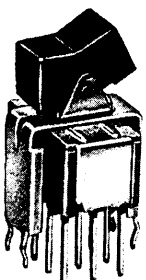


Actuator Shown In Pos. 1
Terminal Nos. For Reference Only

Part No. Shown: 7401J1_BE2

NOTE: B contact material standard. Not available with I seal option. Available actuators, see pages B-12 and B-13.

V21, V71, V81 SNAP-IN



OPTION CODE	DIM 'A'
V2, V21	.555 (14,10)
V7, V71	.630 (16,00)
V8, V81	.953 (24,21)

4PDT Model

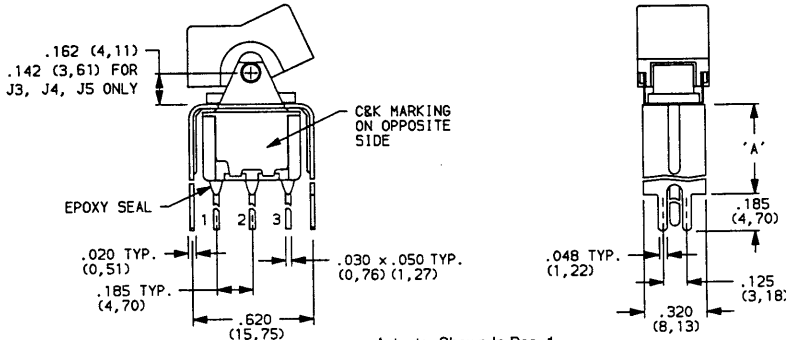
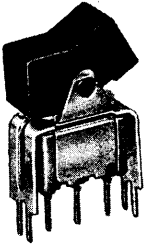


7000 Series

Rocker and Lever Handle Switches

TERMINATIONS

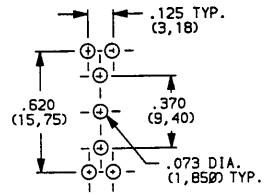
V3, V4, V9



Actuator Shown In Pos. 1
Terminal Nos. For Reference Only

Part No. Shown: 7101J1_BE2

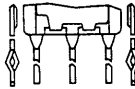
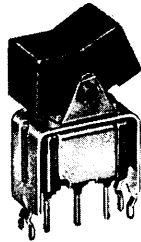
PC MOUNTING



NOTE: B contact material standard. Not available with I seal option. Available actuators, see pages B-12 and B-13.



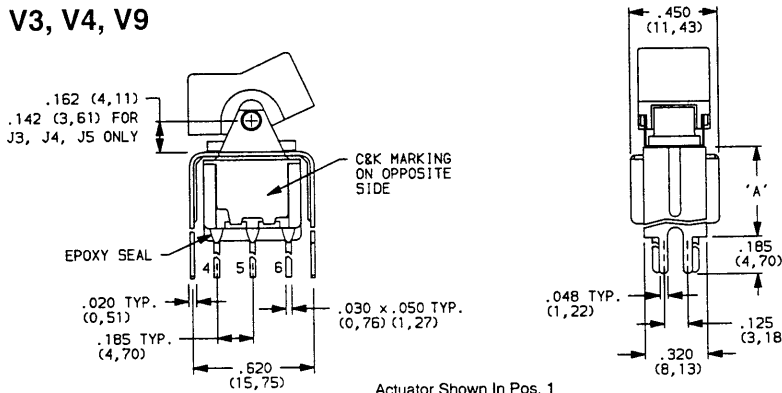
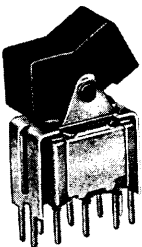
V31, V41, V91 SNAP-IN



OPTION CODE	DIM 'A'
V3, V31	.460 (11,68)
V4, V41	.630 (16,00)
V9, V91	1.150 (29,21)

SPDT Model

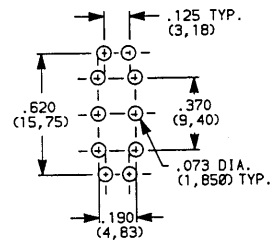
V3, V4, V9



Actuator Shown In Pos. 1
Terminal Nos. For Reference Only

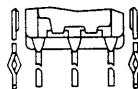
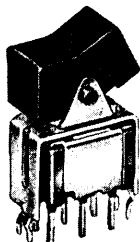
Part No. Shown: 7201J1_BE2

PC MOUNTING



NOTE: B contact material standard. Not available with I seal option. Available actuators, see pages B-12 and B-13.

V31, V41, V91 SNAP-IN



OPTION CODE	DIM 'A'
V3, V31	.460 (11,68)
V4, V41	.630 (16,00)
V9, V91	1.150 (29,21)

DPDT Model

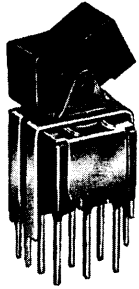


7000 Series

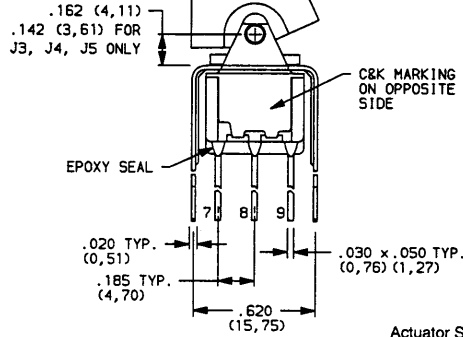
Rocker and Lever Handle Switches

TERMINATIONS

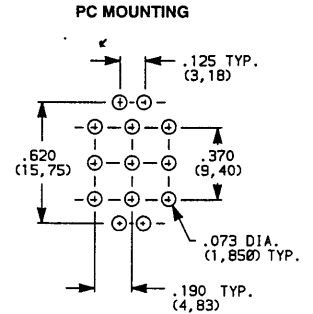
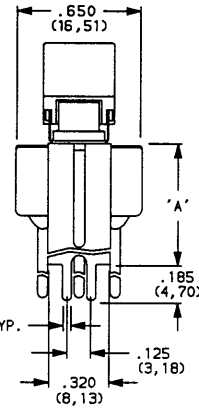
B



V4, V9

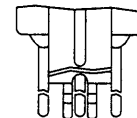
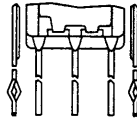
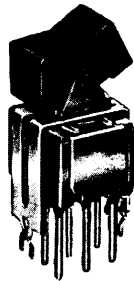


Actuator Shown In Pos. 1
Terminal Nos. For Reference Only
Part No. Shown: 7301J1__BE2



NOTE: B contact material standard. Not available with I seal option. Available actuators, see pages B-12 and B-13.

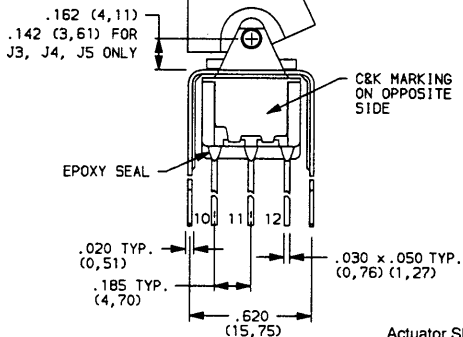
V41, V91 SNAP-IN



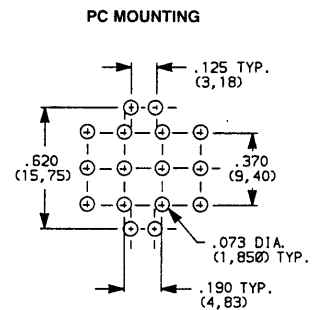
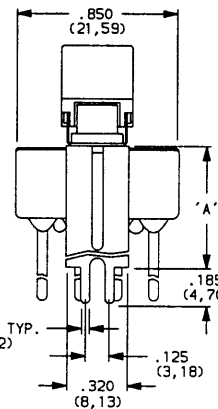
OPTION CODE	DIM 'A'
V4, V41	.630 (16,00)
V9, V91	1.150 (29,21)

3PDT Model

V4, V9

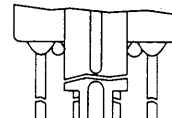
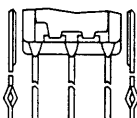
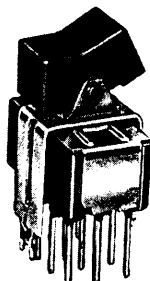


Actuator Shown In Pos. 1
Terminal Nos. For Reference Only
Part No. Shown: 7401J1__BE2



NOTE: B contact material standard. Not available with I seal option. Available actuators, see pages B-12 and B-13.

V41, V91 SNAP-IN



OPTION CODE	DIM 'A'
V4, V41	.630 (16,00)
V9, V91	1.150 (29,21)

4PDT Model



7000 Series

Rocker and Lever Handle Switches

CONTACT MATERIAL

OPTION CODE	CONTACT MATERIAL	TERMINAL PLATING	RATINGS	
B	GOLD ¹	GOLD ¹	LOW LEVEL / DRY CIRCUIT	0.4 VA MAX. @ 20 V AC OR DC MAX.
K		TIN-LEAD ⁶		
Q	SILVER ^{4,5}	SILVER ⁵	POWER	5 AMPS @ 120 V AC OR 28 V DC; 2 AMPS @ 250 V AC.
M		TIN-LEAD ⁶		
G	GOLD OVER SILVER ^{2,3}	GOLD ³	LOW LEVEL / DRY CIRCUIT OR POWER	0.4 VA MAX. @ 20 V AC OR DC MAX. OR 5 AMPS @ 120 V AC OR 28 V DC; 2 AMPS @ 250 V AC.
L		TIN-LEAD ⁶		

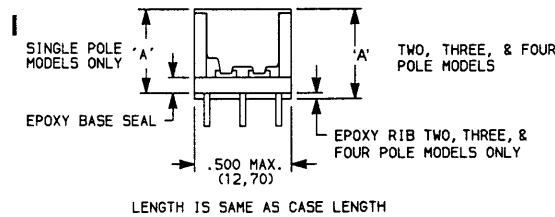
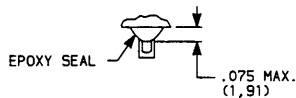
CONTACT MATERIAL / APPLICATION RECOMMENDATIONS - SEE CHART, PAGE X.

- ¹ CONTACTS & TERMINALS: Copper alloy, with gold plate over nickel plate.
- ² END CONTACTS: Coin silver, with gold plate over nickel plate.
- ³ CENTER CONTACTS & ALL TERMINALS: Copper alloy, with gold plate over nickel plate.
- ⁴ END CONTACTS: Coin silver, silver plated.
- ⁵ CENTER CONTACT & ALL TERMINALS: Copper alloy, silver plated.
- ⁶ TERMINALS: Copper alloy, with tin-lead alloy over nickel plate.

- U11 - U415 model numbers with all options when ordered with G, L, M or Q contact material.
- See AGENCY APPROVALS, page VIII.
- B contact material standard with all terminations except C, Z & Z3.
- Q contact material standard with C, Z & Z3 terminations.
- K, L & M contact materials not available with Z & Z3 terminations.

SEAL

E (STD.)



NO. POLES	DIM 'A'
SP	.410 (10,41)
DP	.440 (11,18)
3P	.505 (12,83)
4P	.505 (12,83)

LENGTH IS SAME AS CASE LENGTH

Available with C, W - W5, Z & Z3 terminations.

HOW TO ORDER

All available 7000 SERIES ROCKER AND LEVER HANDLE SWITCH options are listed on page B-2 and are described on pages B-4 thru B-23. Switches with standard options are shown on page B-3. When selecting options and building a part number, some ordering format boxes may not be filled. Dashes, hyphens or spaces in the part number are not significant and are shown for clarity only. All models have epoxy terminal seal and are compatible with 'bottom-wash' PC board cleaning methods. Hardware: two each - mounting screws, nuts, lockwashers and standoffs for 1/8 inch thick panel are supplied standard on switches with panel mounting brackets. Hardware for other panel thicknesses also available. Actuators, frames and mounting hardware are available separately, see section K.

SPECIFICATIONS

- CONTACT RATING: 5 AMPS @ 120 V AC or 28 V DC; 2 AMPS @ 250 V AC (Q contact material).
- ELECTRICAL LIFE: 7X01 and UX1 models: 100,000 make-and-break cycles at full load. All other models: 40,000 cycles.
- CONTACT RESISTANCE: Below 10 milliohms typ. initial @ 2-4 V DC, 100 mA, for both silver and gold plated contacts.
- INSULATION RESISTANCE: 10⁹ ohms min.
- DIELECTRIC STRENGTH: 1000 V RMS min. @ sea level.
- OPERATING TEMPERATURE: -30°C to 85°C.
- SOLDERABILITY: Per MIL-STD-202F method 208D, or EIA RS-186E method 9 (1 hour steam aging).

NOTE: Specifications and materials listed above are general specifications for switches with standard options. For information on specific and custom switches, consult factory.

MATERIALS

- CASE: Glass filled nylon 6/6, flame retardant, heat stabilized, or diallyl phthalate (DAP) (UL 94V-0).
- ACTUATOR: Nylon, black standard.
- FRAME - FRONT MOUNT: Nylon, black standard.
REAR MOUNT: Spring steel, black standard.
- BUSHING: Brass or zinc, nickel plated.
- HOUSING: Stainless steel.
- SWITCH SUPPORT: Brass or steel, tin plated.
- END CONTACTS: Coin silver, silver plated (Q contact material).
- CENTER CONTACTS & ALL TERMINALS: Copper alloy, silver plated (Q contact material).
- TERMINAL SEAL: Epoxy.
- HARDWARE: Nut, Screw & Lockwasher: Stainless steel.
Standoff: Nylon standard, aluminum available, consult factory.

