

AC Axial Fans

ebmpapst

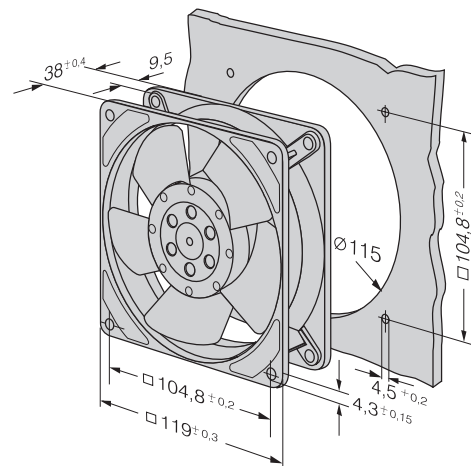
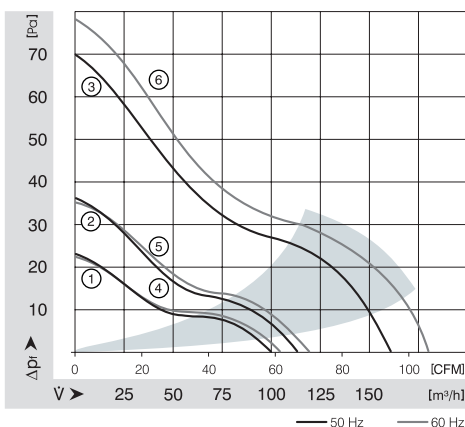
Series 4000 Z, Type 4600 Z 119 x 119 x 38 mm



- AC fans with external rotor shaded-pole motor. Impedance protected against overloading.
- Metal fan housing and impeller .
- Air exhaust over struts. Rotational direction CW looking at rotor.
- Electrical connection via 2 flat pins 2.8 x 0.5 mm.
- Also available: Models with mounting bosses and single leads.
- Fan housing with ground lug and screw M4 x 8 (TORX).
- Mass 540 g.

ebm-papst • St. Georgen

Nominal Data	Air Flow		Nominal Voltage	Frequency	Noise	Sinter-Sleeve Bearings	Ball Bearings	Power Input	Nominal Speed	Temperature Range	Service Life L ₁₀		Curve
	m ³ /h	CFM									Hours	at t _{max}	
Type	m ³ /h	CFM	V	Hz	dB(A)	Bel	□/■	Watt	min ⁻¹	°C	Hours	Hours	
4850 Z	100	58.9	230	50	26	4.0	□	13.0	1 700	-10...+65	50 000 / 27 500		1
4856 Z	100	58.9	230	50	26	4.0	■	13.0	1 700	-40...+75	50 000 / 20 000		1
4580 Z	115	67.7	230	50	30	4.3	□	13.0	1 900	-10...+65	50 000 / 27 500		2
4586 Z	115	67.7	230	50	30	4.3	■	13.0	1 900	-40...+75	50 000 / 20 000		2
4650 Z	160	94.2	230	50	40	5.3	□	19.0	2 650	-10...+50	37 500 / 30 000		3
4656 Z	160	94.2	230	50	40	5.3	■	19.0	2 650	-40...+75	37 500 / 17 500		3
4800 Z	105	61.8	115	60	28	4.1	□	12.0	1 800	-10...+70	52 500 / 25 000		4
4806 Z	105	61.8	115	60	28	4.1	■	12.0	1 800	-40...+75	52 500 / 17 500		4
4530 Z	120	70.6	115	60	32	4.4	□	12.0	2 000	-10...+70	52 500 / 25 000		5
4536 Z	120	70.6	115	60	32	4.4	■	12.0	2 000	-40...+75	52 500 / 17 500		5
4600 Z	180	105.9	115	60	45	5.6	□	18.0	3 100	-10...+60	40 000 / 25 000		6
4606 Z	180	105.9	115	60	45	5.6	■	18.0	3 100	-40...+85	40 000 / 15 000		6



ebm-papst St. Georgen GmbH & Co. KG

Hermann-Papst-Straße 1 • D-78112 St. Georgen • Phone +49 (0) 77 24 / 81-0 • Fax +49 (0) 77 24 / 81-1309 • info2@de.ebmpapst.com • www.ebmpapst.com/de