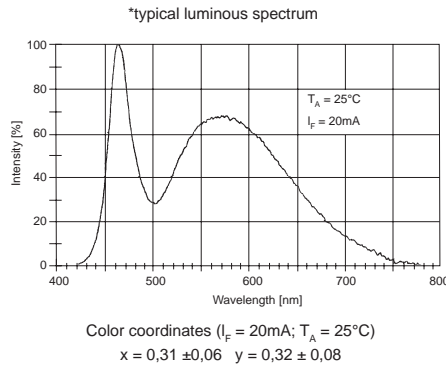
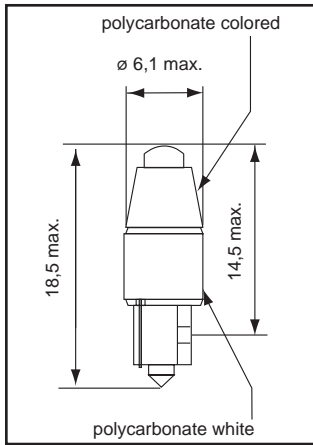


1511A Series T 1³/₄ Wedge Based LED

DESCRIPTION AND FEATURES



- Replaces incandescent lamp #'s
 - 12V AC/DC — 18, 37, 70, 73, 74
 - 24V AC/DC and 28V AC/DC — 17, 85
- Extremely high brightness with low current draw
- Long life — typically 100K hours vs. 10K hours
- Low heat generation
- Available in five standard colors. Custom colors available upon request
- Shock and vibration proof
- Storage temperature: $-25^\circ\text{C} - +80^\circ\text{C}$
- Ambient temperature: $-20^\circ\text{C} - +60^\circ\text{C}$
- Due to production tolerances, color temperature variations may be detected within individual consignments

ELECTRO-OPTICAL CHARACTERISTICS AND RATINGS

Part Number	Color	Voltage V AC/DC	Current mA	Lumi. Intensity mcd	Reverse Voltage V	Dominant Wavelength nm
1511A25UR3	Red	12	6 / 12	280	80	630
1511A25UG3	Green	12	6 / 12	780	80	525
1511A25UY3	Yellow	12	6 / 12	240	80	587
1511A25B3	Blue	12	6 / 12	300	80	470
1511A25W3	White Clear	12	6 / 12	600	80	*
1511A25W3D	White Diffused	12	6 / 12	300	80	*
1511A35UR3	Red	24	5 / 10	230	80	630
1511A35UG3	Green	24	5 / 10	650	80	525
1511A35UY3	Yellow	24	5 / 10	200	80	587
1511A35B3	Blue	24	5 / 10	250	80	470
1511A35W3	White Clear	24	5 / 10	500	80	*
1511A35W3D	White Diffused	24	5 / 10	250	80	*
1511A45UR3	Red	28	5 / 10	230	80	630
1511A45UG3	Green	28	5 / 10	650	80	525
1511A45UY3	Yellow	28	5 / 10	200	80	587
1511A45B3	Blue	28	5 / 10	250	80	470
1511A45W3	White Clear	28	5 / 10	500	80	*
1511A45W3D	White Diffused	28	5 / 10	250	80	*

Luminous intensity data of the used LEDs at: $I_{OP,DC}$

Chicago Miniature Lamp reserves the right to make specification revisions that enhance the design and/or performance of the product.