

### Features

- Carbon element
- 10-30 mm travel
- Center detent option
- Single or dual gang
- RoHS compliant\*

### Applications

- Audio/TV sets
- Car radio
- Amplifiers/mixers/drum machines/synthesizers
- PCs/monitors
- Appliances

## PDV Series - Open Frame Slide Potentiometer

#### Electrical Characteristics

Taper .....Linear, audio  
 Standard Resistance Range  
 .....1 K ohms to 1 M ohms  
 Standard Resistance Tolerance .....±20 %  
 Residual Resistance  
 .....100 ohms or ±5 % max.

#### Environmental Characteristics

Operating Temperature ...-10 °C to +50 °C  
 Power Rating  
 Linear .....0.1 watt  
 Audio .....0.05 watt  
 Maximum Operating Voltage - Linear  
 10 mm Travel .....100 VAC  
 15 mm Travel .....100 VAC  
 20 mm Travel .....200 VAC  
 30 mm Travel .....200 VAC  
 Maximum Operating Voltage - Audio  
 10 mm Travel .....50 VAC  
 15 mm Travel .....50 VAC  
 20 mm Travel .....150 VAC  
 30 mm Travel .....150 VAC  
 Sliding Noise .....47 mV max.

#### Mechanical Characteristics

Operating Force .....20 to 300 g-cm  
 Detent Torque .....50 to 400 g-cm  
 Lever Stop Strength .....3 kg-cm min.  
 Sliding Life .....10,000 cycles  
 Standard Stroke Length  
 .....10, 15, 20, 30 mm  
 Soldering Condition  
 Wave .....260 °C for 3 sec. max.  
 Manual .....Not recommended

#### How To Order

**PDV10 - 2 1 P - 102 A**

Model \_\_\_\_\_

Length of Travel \_\_\_\_\_

- 10 = 10 mm
- 15 = 15 mm
- 20 = 20 mm
- 30 = 30 mm

Detent Option \_\_\_\_\_

- 2 = No Detent
- 3 = Center Detent

Number of Gangs \_\_\_\_\_

- 1 = Single Gang
- 2 = Dual Gang

Mounting Type \_\_\_\_\_  
 (refer to drawings)

- A = Vertical Pins
- D = Vertical Pins
- P = Vertical Pins
- H = Horizontal Pins
- M = Horizontal Pins
- B = Horizontal Pins

Resistance Code (See Table) \_\_\_\_\_

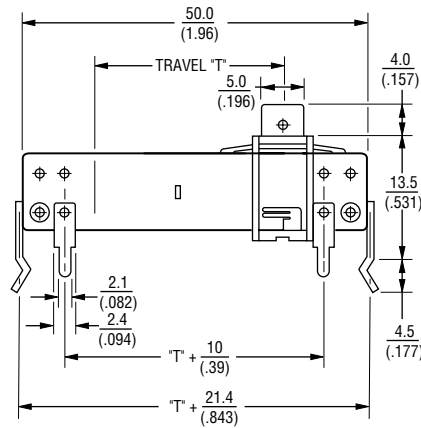
Resistance Taper \_\_\_\_\_

- A = Audio Taper
- B = Linear Taper

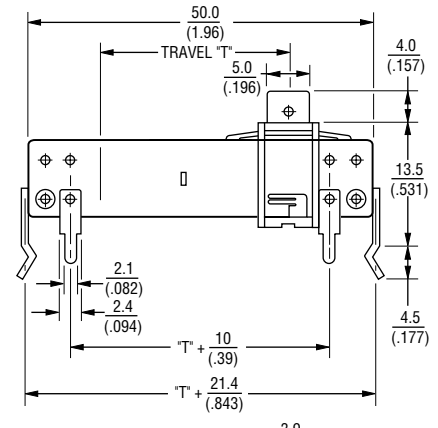
Other styles available.

#### Product Dimensions

PDVxx-x1D

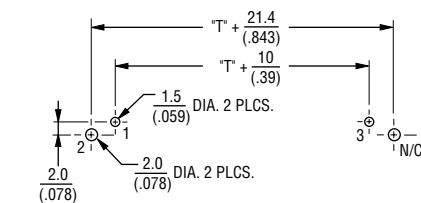


PDVxx-x2D

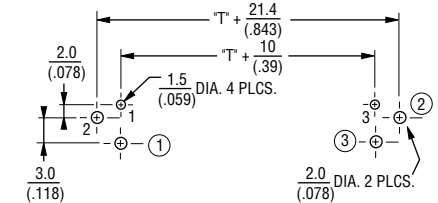


DIMENSIONS ARE: \_\_\_\_\_  
 MM (INCHES)

RECOMMENDED PCB LAYOUT

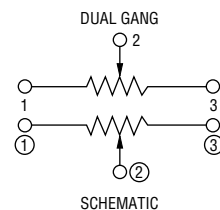
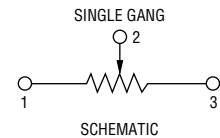


RECOMMENDED PCB LAYOUT



#### Standard Resistance Table

Resistance (Ohms)	Resistance Code
1,000	102
2,000	202
5,000	502
10,000	103
20,000	203
50,000	503
100,000	104
200,000	204
500,000	504
1,000,000	105



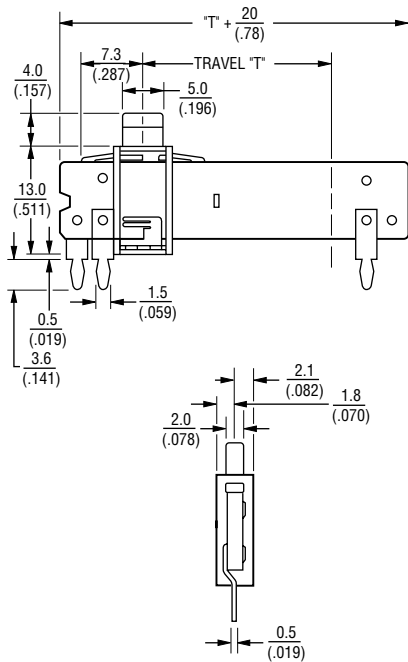
\*RoHS Directive 2002/95/EC Jan 27 2003 including Annex. Specifications are subject to change without notice. Customers should verify actual device performance in their specific applications.

# PDV Series - Open Frame Slide Potentiometer

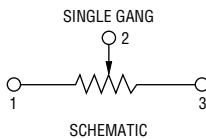
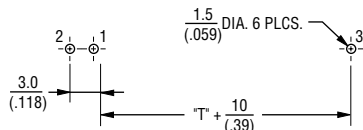
**BOURNS®**

## Product Dimensions

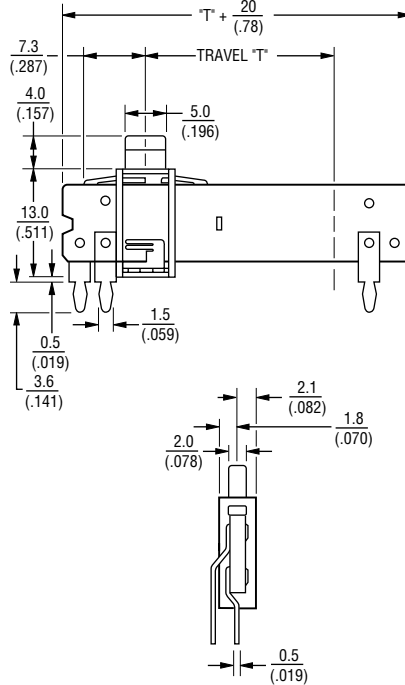
**PDVxx-x1P**



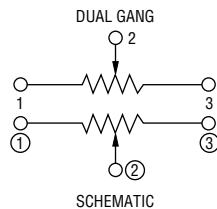
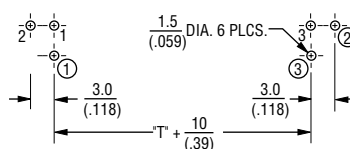
RECOMMENDED PCB LAYOUT



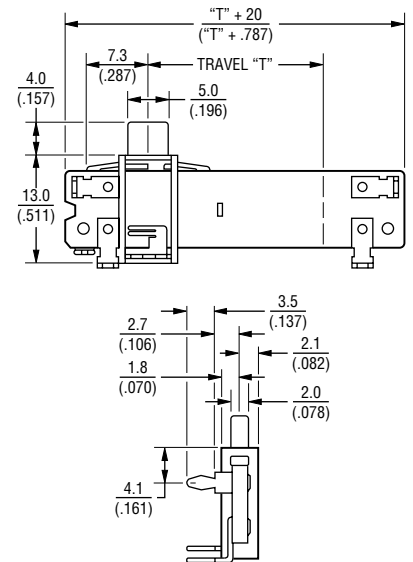
**PDVxx-x2P**



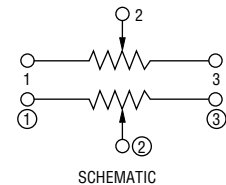
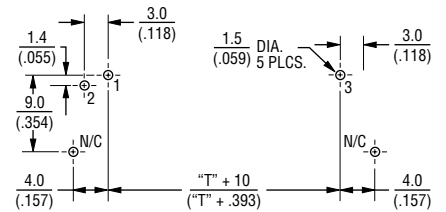
RECOMMENDED PCB LAYOUT



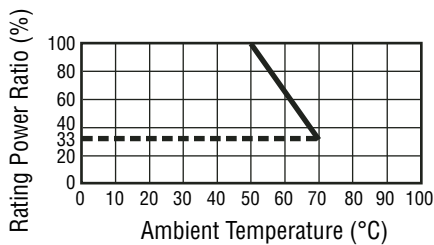
**PDVxx-x1H**



RECOMMENDED PCB LAYOUT



## Derating Curve



DIMENSIONS ARE:  $\frac{\text{MM}}{\text{(INCHES)}}$

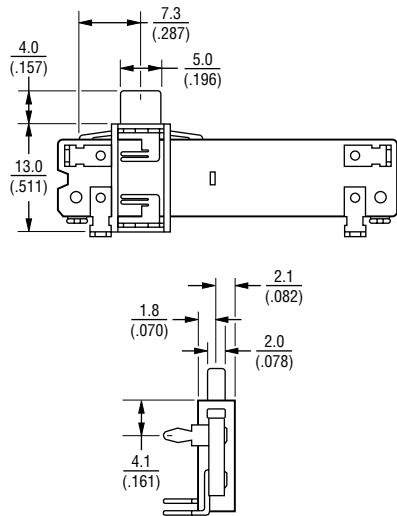
Specifications are subject to change without notice.  
Customers should verify actual device performance in their specific applications.

# PDV Series - Open Frame Slide Potentiometer

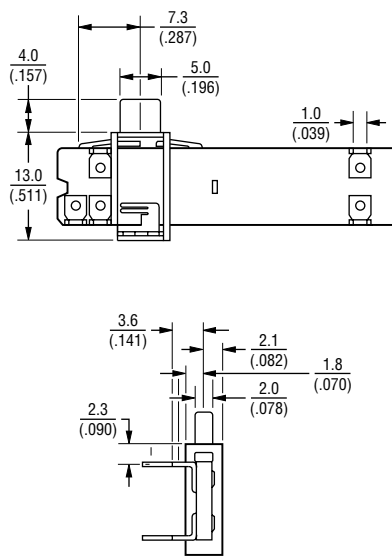
**BOURNS®**

## Product Dimensions

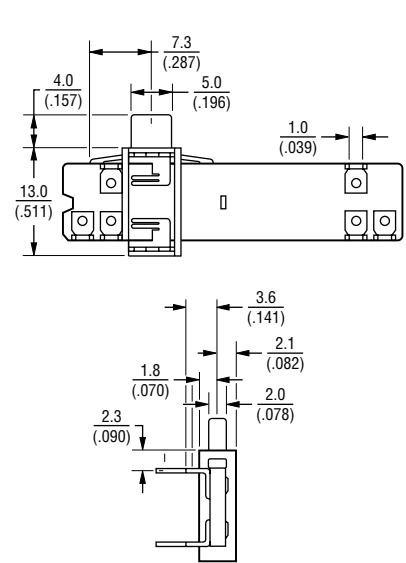
**PDVxx-x2H**



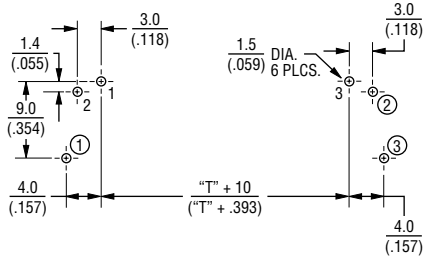
**PDVxx-x1M**



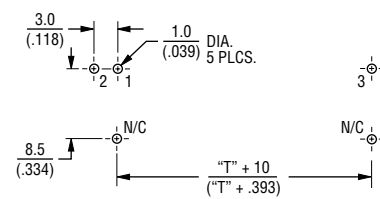
**PDVxx-x2M**



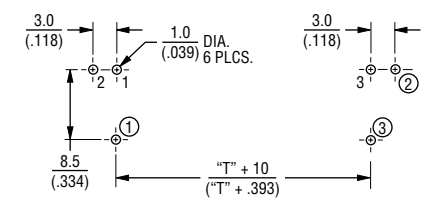
### RECOMMENDED PCB LAYOUT



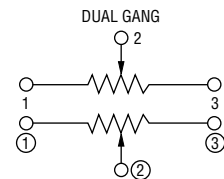
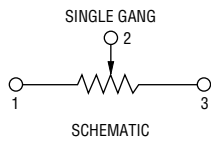
### RECOMMENDED PCB LAYOUT



### RECOMMENDED PCB LAYOUT



DIMENSIONS ARE:  $\frac{\text{MM}}{\text{(INCHES)}}$

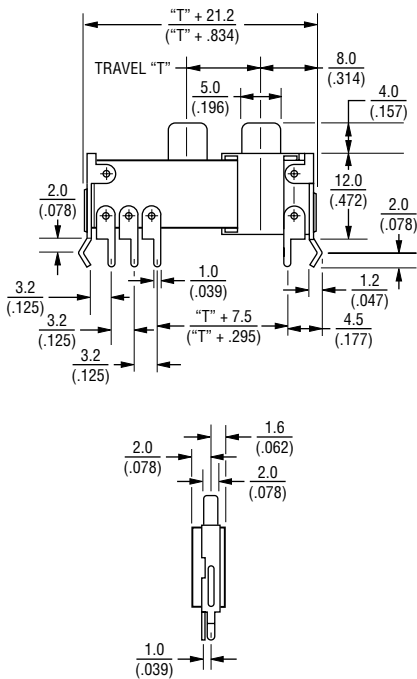


# PDV Series - Open Frame Slide Potentiometer

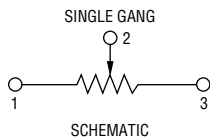
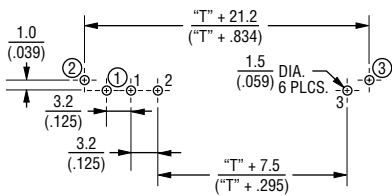
**BOURNS®**

## Product Dimensions

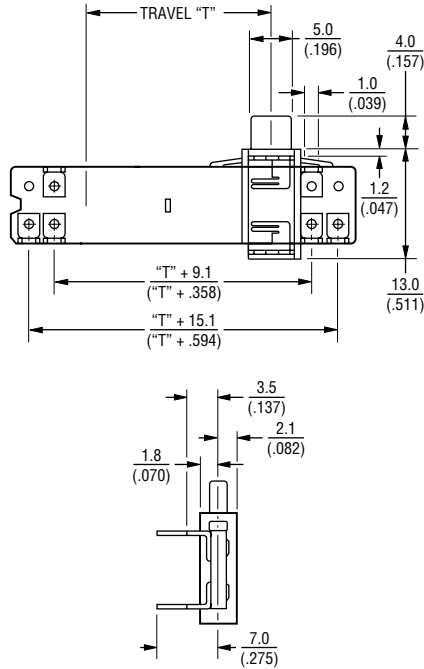
**PDVxx-x2A**



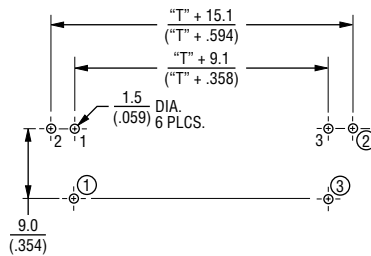
**RECOMMENDED PCB LAYOUT**



**PDVxx-x2B**

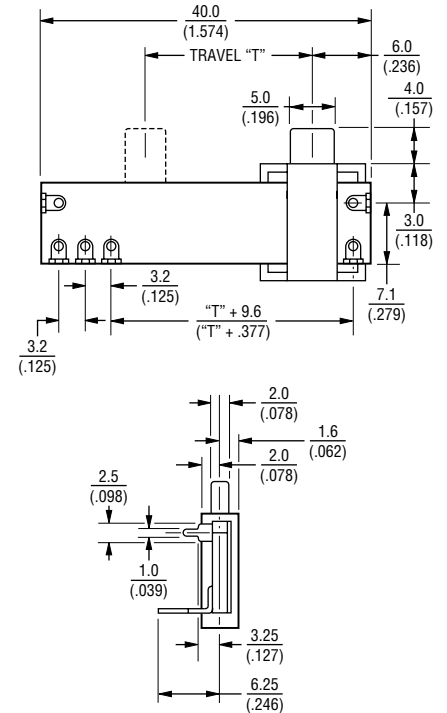


**RECOMMENDED PCB LAYOUT**



DIMENSIONS ARE:  $\frac{\text{MM}}{\text{(INCHES)}}$

**PDVxx-x2C**



**RECOMMENDED PCB LAYOUT**

