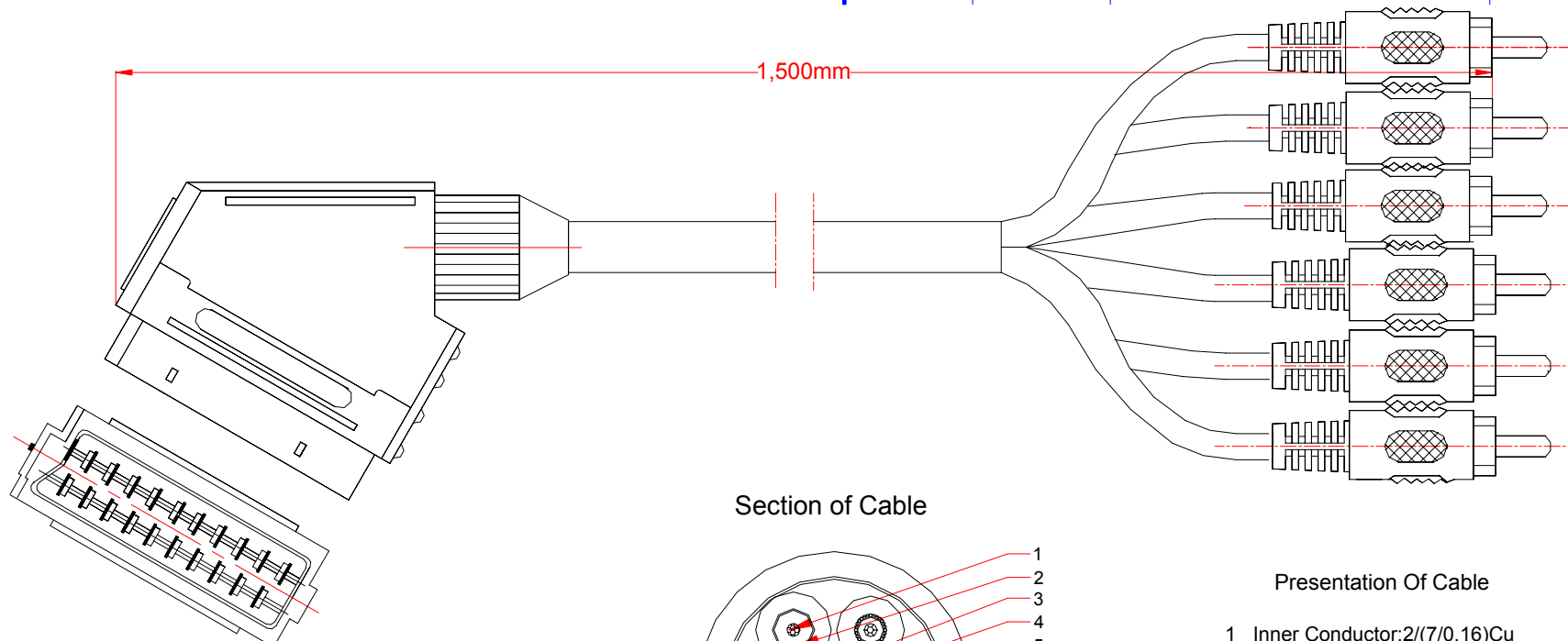
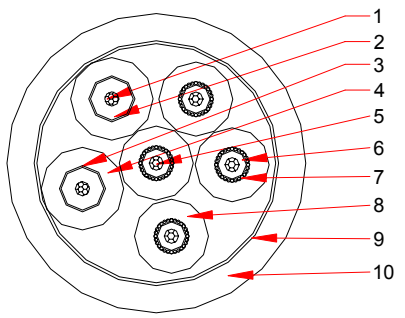


ECN Symbol	ECN No.	Descriptions	Date
			July 2003



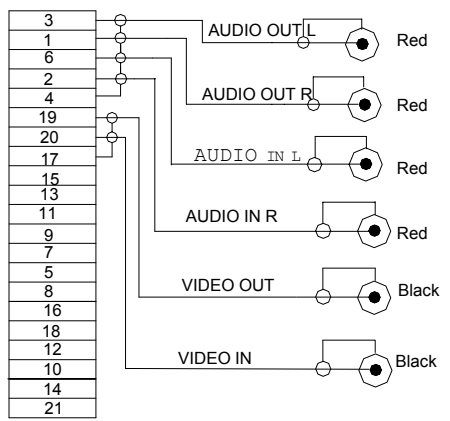
Section of Cable



Presentation Of Cable

- 1 Inner Conductor:2/(7/0.16)Cu
- 2 Insulation:2* ϕ 1.5 LDPE
- 3 Braiding:2*48/0.12 Cu
- 4 Jacket:4* ϕ 1.0 PVC
- 5 Inner Conductor:4*9/0.12Cu
- 6 Insulation:4* ϕ 1.0PVC
- 7 Spiraling:4*(28/0.12)Cu
- 8 Insulation:4* ϕ 2.6PVC
- 9 Screening(mylar):25/0.025 Al Foil
- 10 Outer Jacket: ϕ 10.5 PVC

Wiring Diagram



Prepared	Neil Tang	Material			Scart(p) to 6RCA(P)	
Checked		Finish			Model	AVVCL43
Approved		Q'ty	VER.	Scale	Parts	
Unit mm			A-1		JESMAY	
Ref/No.		Page				