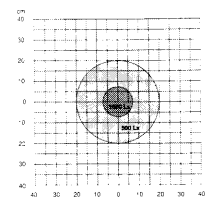


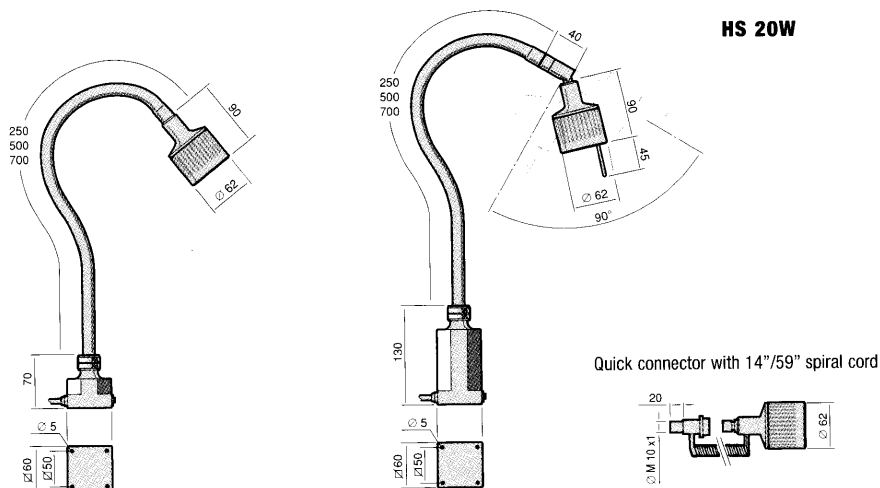
# ■ HALOGEN SPOT HS 20W



**HS 20W**

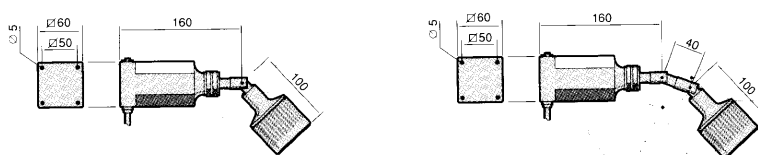
## ■ HS 20W – FLEX

- Arm length 250, 500 or 700 mm
- 230V/12V – transformer base
- 12 or 24V – sub base
- With jointed lamp head or without jointed lamp head
- With dimmer or without dimmer
- Safety class IP20 or IP65
- Quick connector with 350–1500 mm curly cable to the head is optional



## ■ HS 20W – SPOT

- Single or double-jointed lamp head
- 230V/12V – transformer base
- 12 or 24V – sub base



## ■ HS 20W – AAS

- Two-section 1000 mm or three-section 1250 mm rigid arm
- 12 or 24V

