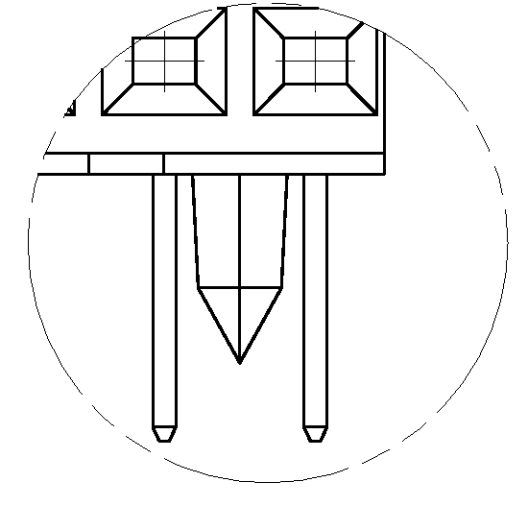
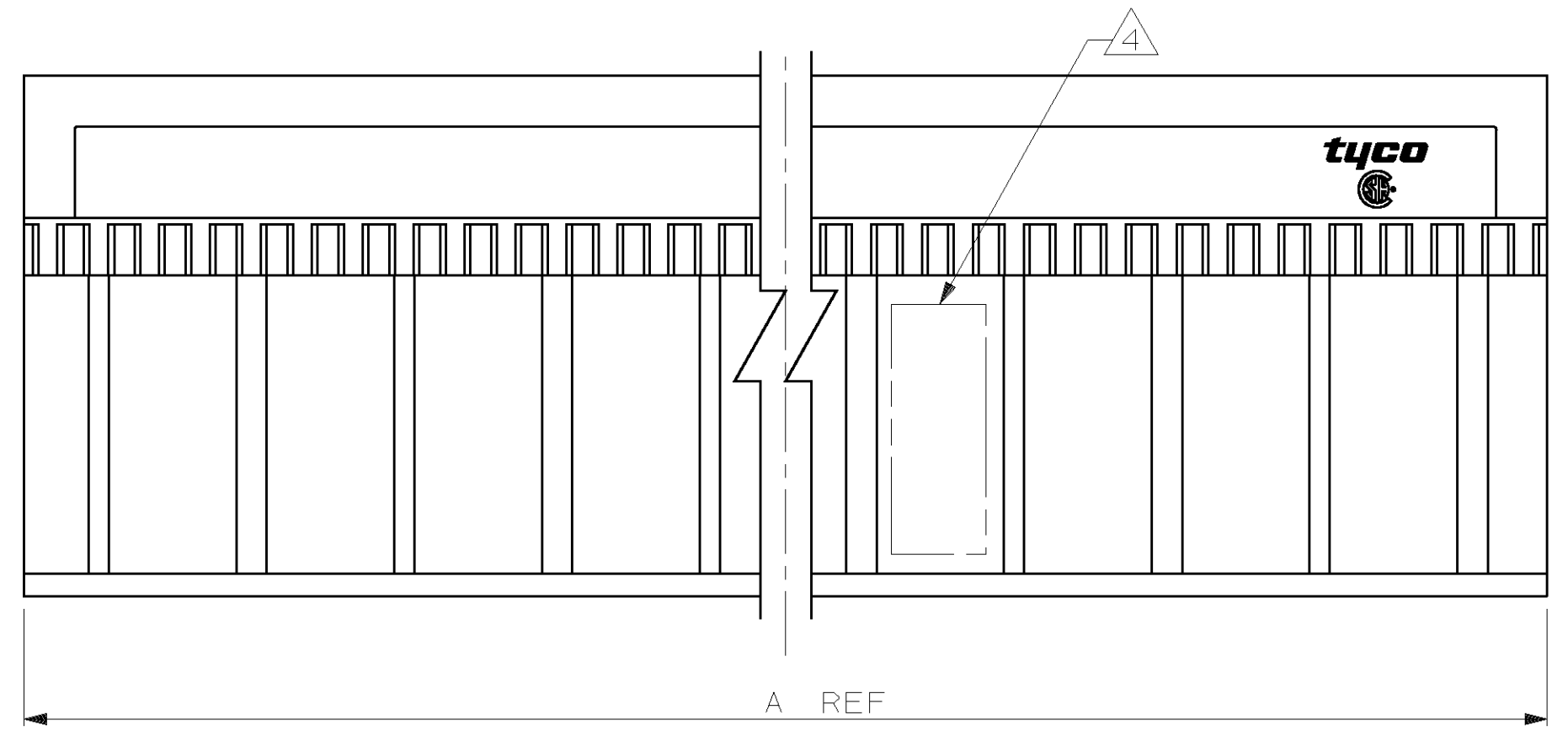
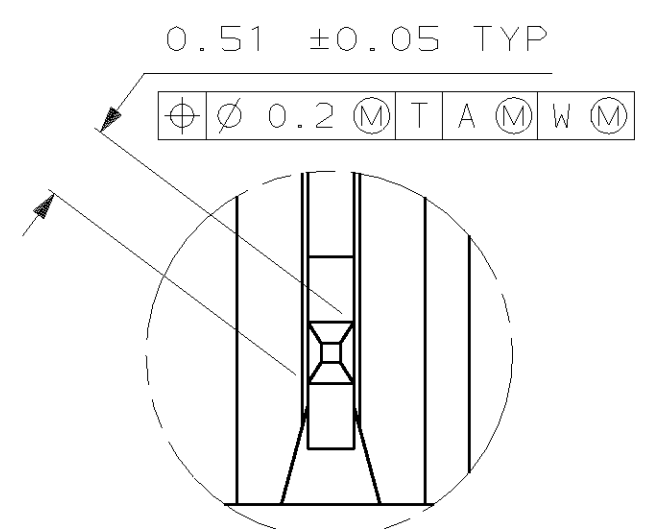
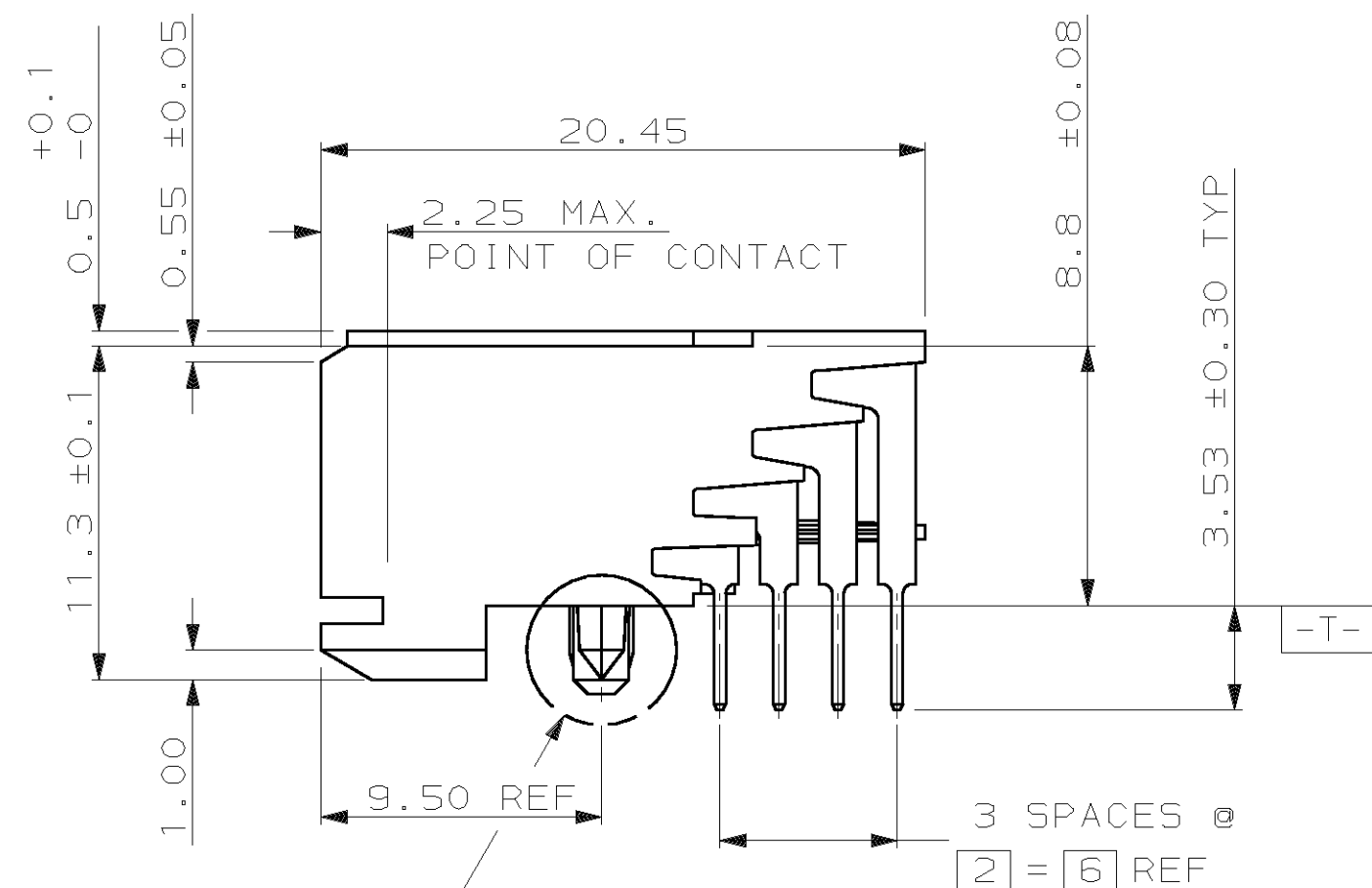
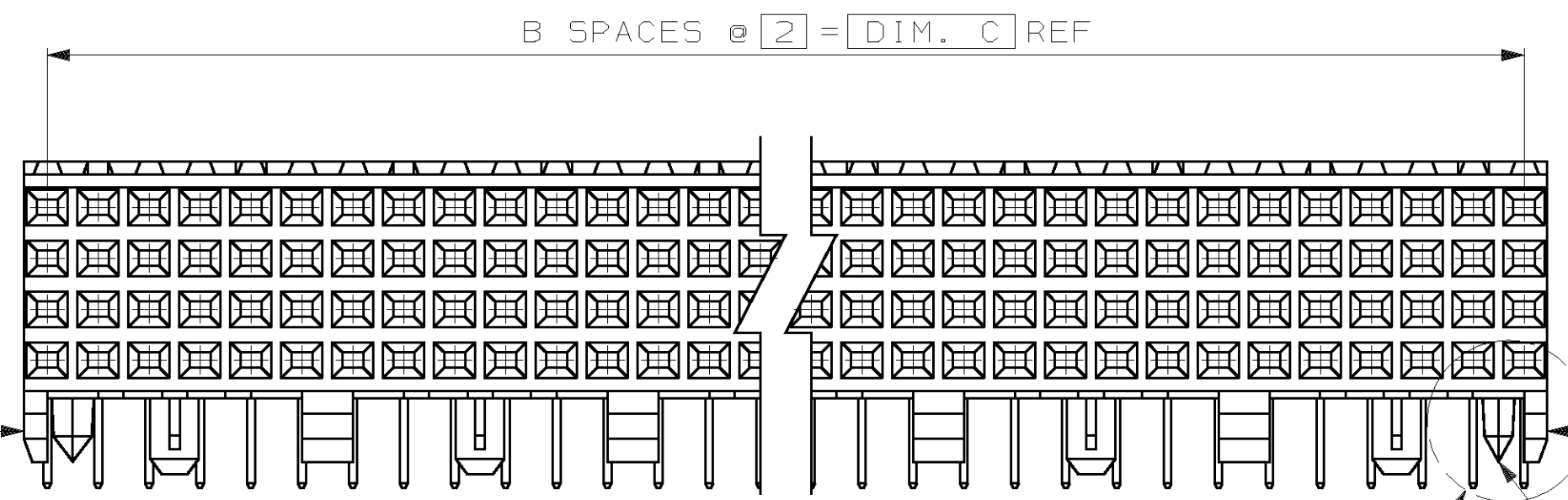


LOC	DIST	P	F	ZONE	LTR	DESCRIPTION	DATE	APPD
AD	00							
				Y		REV PER EC 0512-0501-02	05 AUG 03	NN
				Z		REV PER EC 0512-0212-03	12 AUG 03	NN
				AA		REV PER EC 0512-0242-03	04 SEP 03	RW
				AB		REV PER EC 0512-0412-03	29 OCT 03	RW

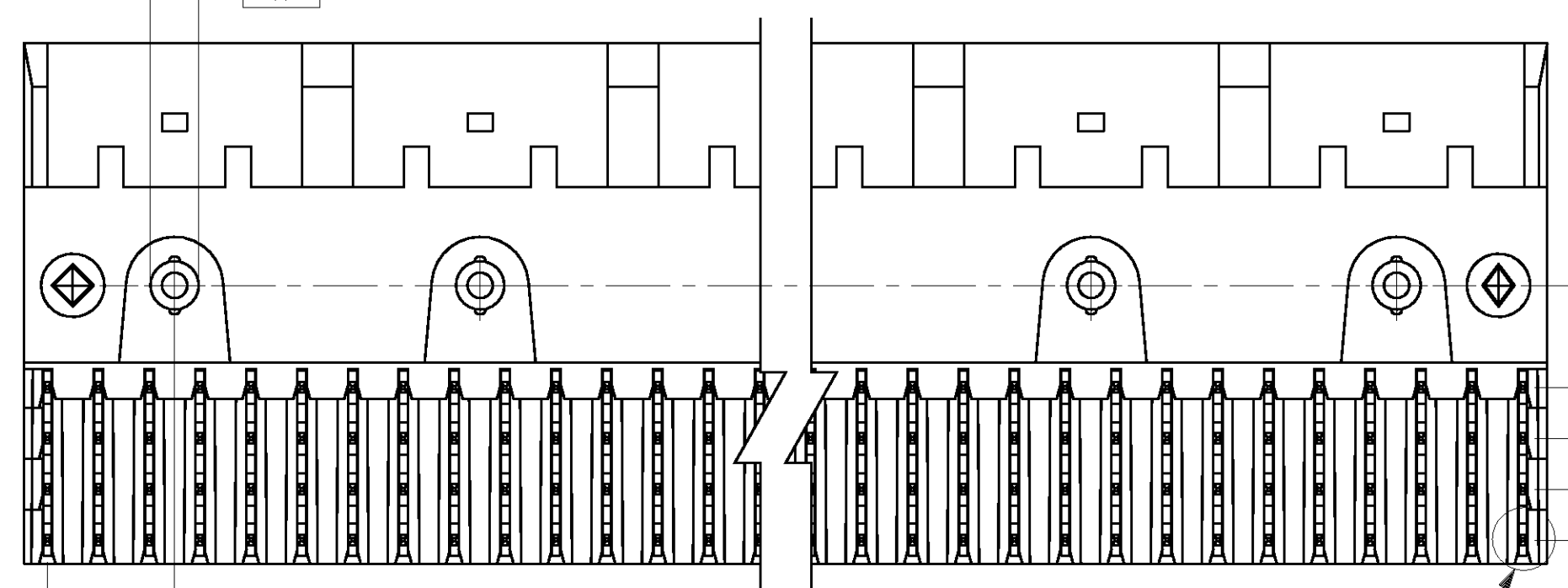


DETAIL X
SCALE 10:1

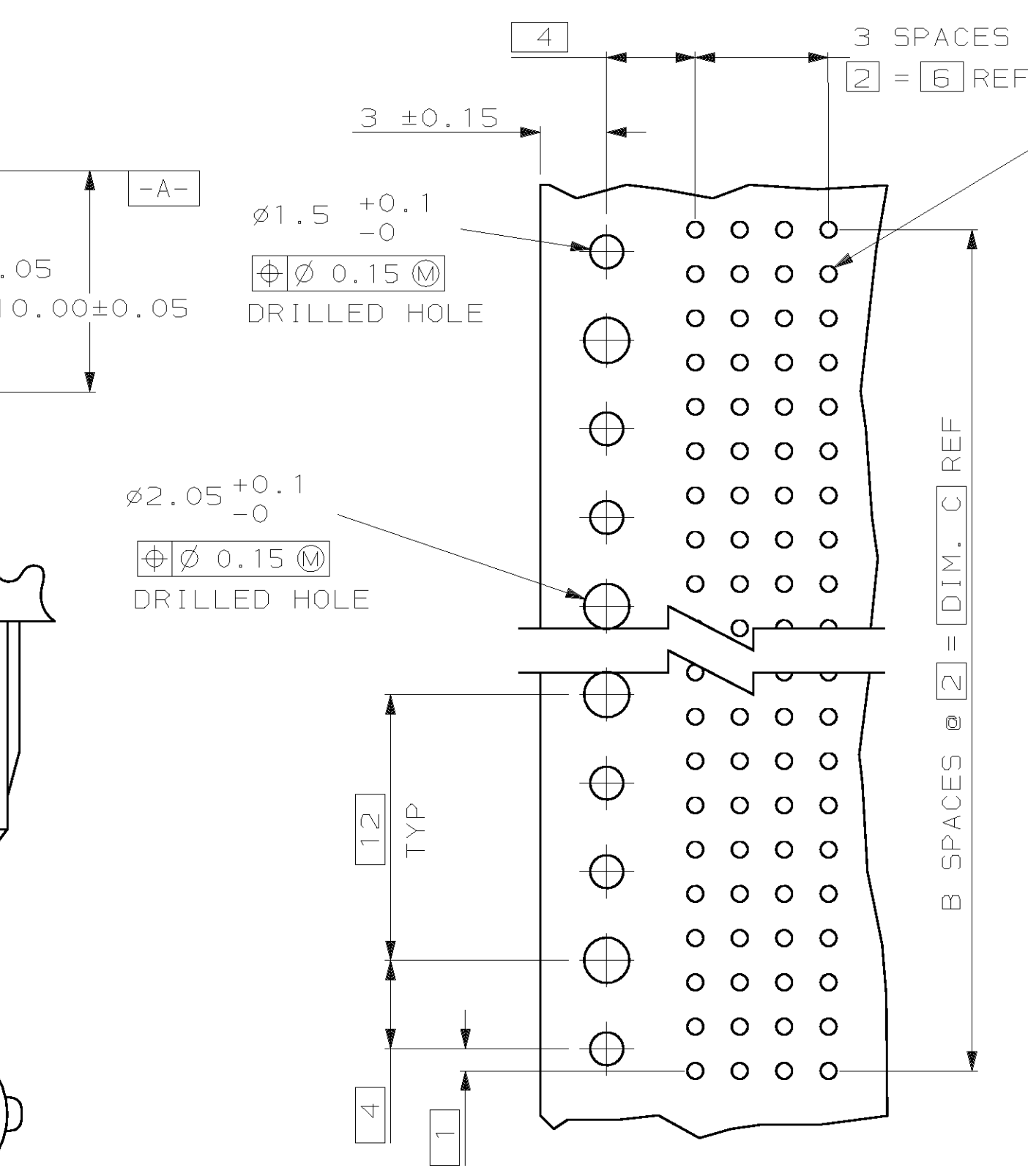
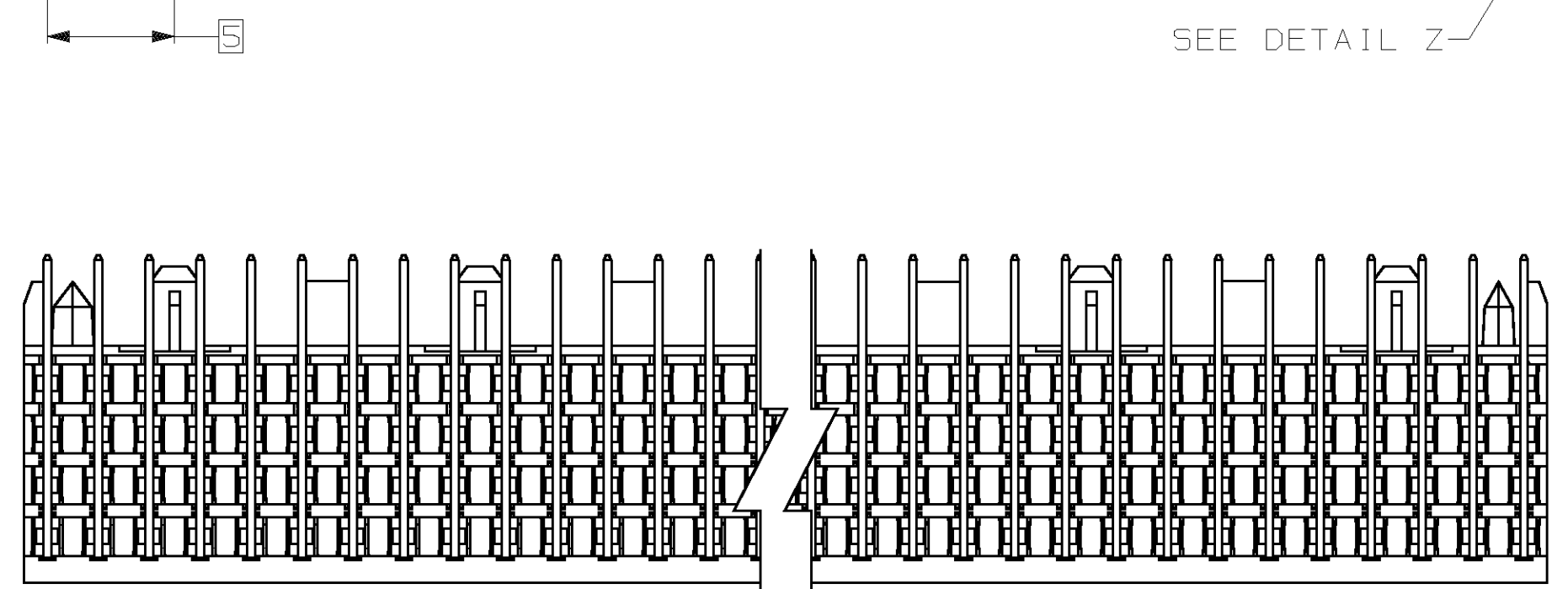
- ① HOUSING MATERIAL: LIQUID CRYSTAL POLYMER
COLOR: NATURAL.
- ② CONTACT MATERIAL: PHOSPHOR-BRONZE.
- ③ CONTACT FINISH:
UNDERPLATE (ENTIRE CONTACT) -
0.0013 MIN. NICKEL
ON MATING SURFACES-
FLASH GOLD PER AMP INCORPORATED SPECIFICATION, OVER
0.0008 MIN. PALLADIUM-NICKEL PER AMP INCORPORATED SPECIFICATION, OVER
UNDERPLATE.
ON LEADS-
0.004 MIN. TIN-LEAD, OVER
UNDERPLATE.
SURFACE CONDITIONER PER AMP SPECIFICATION 112-1002 (ENTIRE CONTACT AFTER PLATING).
- ④ PART MARKING PER AMP INCORPORATED SPECIFICATION 115-9009, LOCATED APPROXIMATELY AS SHOWN.
- ⑤ CUSTOMIZED PART, HOUSING MOLDED WITHOUT END GUIDE LUGS.
- ⑥ CONTACT FINISH:
UNDERPLATE (ENTIRE CONTACT):
0.00127 MIN NICKEL PER AMP SPECIFICATION 112-25-2.
ON MATING SURFACES:
0.00076 MIN NICKEL OR COBALT HARDENED GOLD PER
AMP SPECIFICATION 112-162-5, OVER UNDERPLATE.
ON LEADS: 0.004 MIN TIN-LEAD, OVER UNDERPLATE.
LUBRICATION (ENTIRE CONTACT):
SURFACE CONDITIONER, PER AMP SPECIFICATION 112-1002,
AFTER PLATING.
- ⑦ OBSOLETE PART NUMBER.



DETAIL Z
SCALE 20:1



REFER TO DETAIL FOR
COLD HOLD CONFIGURATION



TYPICAL COLD HOLD
FOR ALL ASSEMBLIES

RECOMMENDED CIRCUIT PATTERN
PER IPC-D300 TYPE II, CLASS C
(COMPONENT SIDE)

NO	34	17	35.88	⑥	72	1-536510-5
NO	22	11	23.88	⑥	48	1-536510-4
NO	94	47	95.88	⑥	192	1-536510-3
NO	106	53	107.88	⑥	216	1-536510-2
NO	70	35	71.88	⑥	144	1-536510-1
NO	130	65	131.88	⑥	264	1-536510-0
NO	106	53	107.88	⑥	216	536510-9
NO	118	59	119.88	⑥	240	536510-8
NO	82	41	83.88	⑥	168	536510-7
NO	58	29	59.88	⑥	120	536510-6
NO	70	35	71.88	⑥	144	536510-5
NO	94	47	95.88	⑥	192	536510-4
NO	46	23	47.88	⑥	96	536510-3
NO	22	11	23.88	⑥	48	536510-2
YES	10	5	11.88	⑥	24	536510-1

POSITIONING PEGS	C	B	A	FINISH	NO OF POSN	PART NUMBER

DO NOT SCALE PRINT. UNLESS SPECIFIED DIMENSIONS IN MILLIMETERS TOLERANCES ON: 2 PLC DEC ± .13 3 PLC DEC ± - ANGLES ± -	DR 09/04/92 J. LOCONDRO CHK 01/26/93 S. HEADER APPD 01/26/93 D. R. BAECHTLE APPD 01/25/93 D. R. PEOPLES	NAME RECEPTACLE ASSEMBLY, SIGNAL MODULE, Z-PACK 2mm FB, 4 ROW, 3.53mm LEAD LENGTH
MATERIAL ①②③	PRODUCT SPEC -	
FINISH ③⑥	APPLICATION SPEC -	SIZE D
WEIGHT		CAGE CODE 00779
		DRAWING NO C-536510
		SCALE 4:1
		SHEET 1 OF 1

THIS DRAWING IS A CONTROLLED DOCUMENT FOR AMP INCORPORATED. IT IS SUBJECT TO CHANGE AND THE CONTROLLING ENGINEERING ORGANIZATION SHOULD BE CONTACTED FOR THE LATEST REVISION.