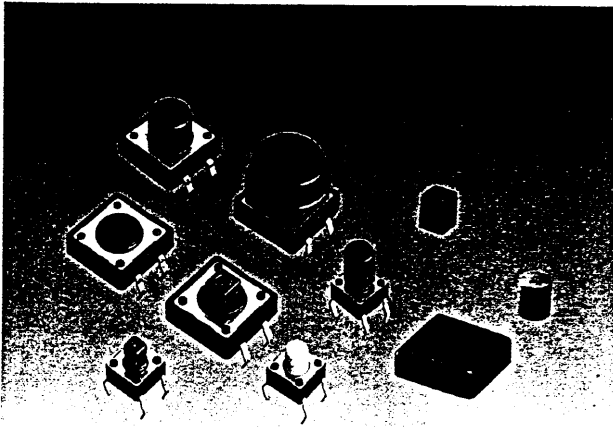


DTS-6(2) & KTSC-6(2) SERIES (OR SQUARE HEAD WITH CAP): MECHANICAL CONTACT STYLE



FEATURES

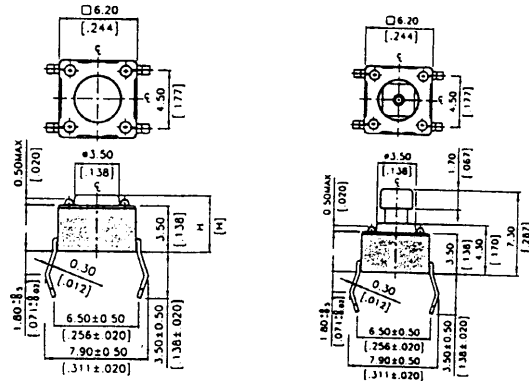
1. Available sharp click feel with a positive tactile feedback. Due to small movement distance (stroke), user experiences distinct sensation when the switch "clicks" into place.
2. Ultraminiature and light weight structure suitable for high density mounting. Economic but high reliability.
3. Insert molding in the contact with special treatment prevents flux build-up during soldering and permits auto-dipping.

MATERIALS

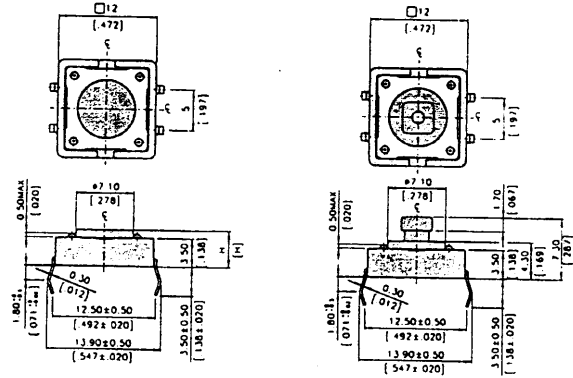
- △COVER: Stainless steel.
- △BASE: UL94V-0 Nylon Thermoplastic.
Color: Black.
- △STEM: UL94V-0 Nylon Thermoplastic.
Color: Light Blue(70gf), Black(100gf), Brown(160gf), Red(260gf), Salmon(320gf), Yellow(520gf).
- △CONTACT DISC: Phosphor bronze with silver cladding.
- △TERMINAL: Brass with silver cladding.
- △CAP: Thermoplastic ABS.

DIMENSIONS

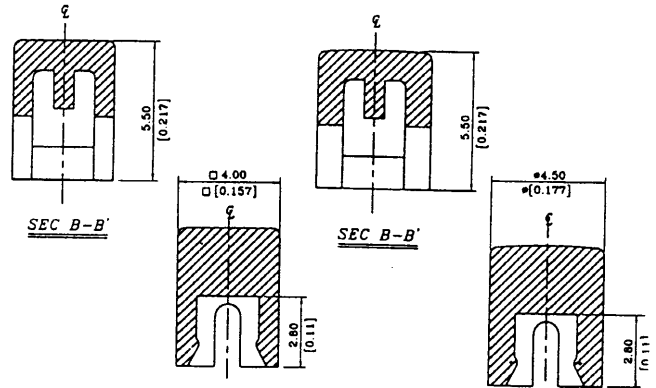
DTS-6



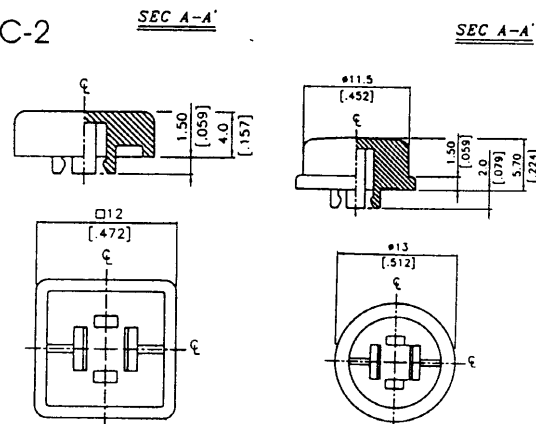
DTS-2



KTSC-6



KTSC-2



General Tolerance: $\pm 0.2\text{mm}$ (± 0.008 ")

SPECIFICATION

MECHANICAL

520 ± 130gf Yellow (Y)
 320 ± 80gf Salmon (S)
 Operation Force: 260 ± 50gf Red (R)
 160 ± 50gf Brown (N)
 100 ± 50gf Black (K)
 70 ± 50gf Light Blue (U)

Stop Strength: Place the switch such that vertical, a static load of 3 kgf shall be applied in the direction of stem operation for a period of 15 seconds.

Stroke: (12x12) 0.35 +0.2 mm
 - 0.1 mm
 (6x6) 0.25 +0.2 mm
 - 0.1 mm

Operation Temperature Range: -25°C to +70°C
Storage Temperature Range: -30°C to +80°C
Vibration Test: MIL-STD-202F METHOD 201A.
 Frequency: 10-55-10Hz/1 minute.
 Directions: X,Y,Z, three mutually perpendicular directions.
 Time: 2 hours each direction.
 High reliability.

Shock Test: MIL-STD-202F METHOD 213B.
 CONDITION A.
 Gravity: 50G (peak value), 11 msec.
 Direction and times: 6 sides and 3 times in each direction.
 High reliability.

ELECTRICAL

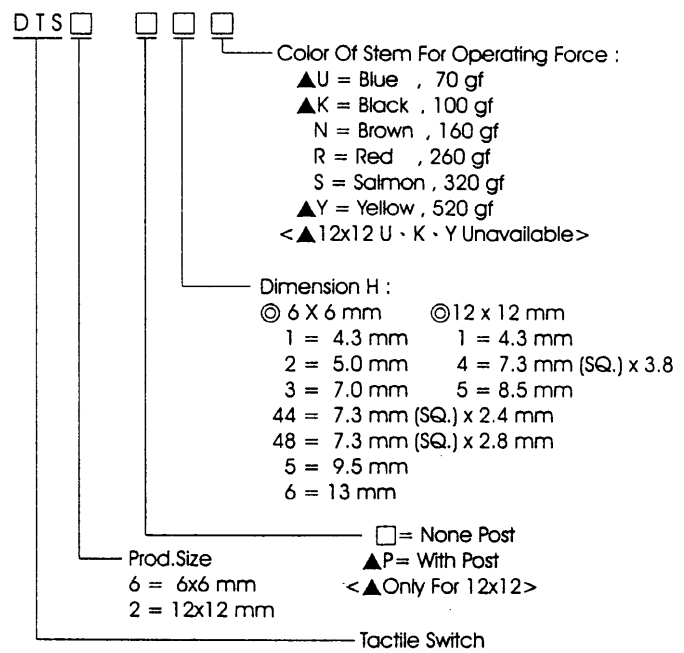
Electrical Life: 50,000 cycles for 260gf, 320gf, 520gf,
 500,000 cycles for 70gf, 100gf, 160gf.
Rating: 50mA, 12VDC.
Contact Resistance: 100mΩ max.
Insulation Resistance: 100MΩ min. 500VDC.
Dielectric Strength: 250VAC/1 minute.
Contact Arrangement: 1 pole 1 throw.

SOLDERING PROCESSES

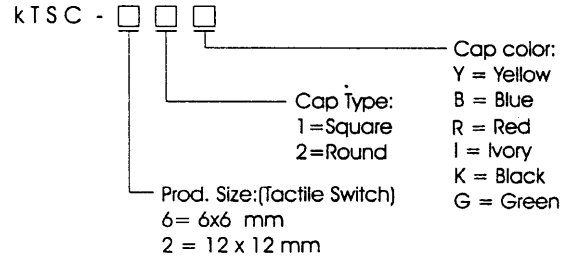
△WAVE SOLERING: Recommended solder temperature at 500°F (260°C) max. 5 seconds subject to PCB 1.6mm thickness.

△HAND SOLDERING: Use a soldering iron of 30 watts, controlled at 608°F(320°C) approximately 2 seconds while applying solder.

HOW TO ORDER

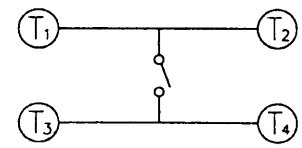


CAP PART NO.

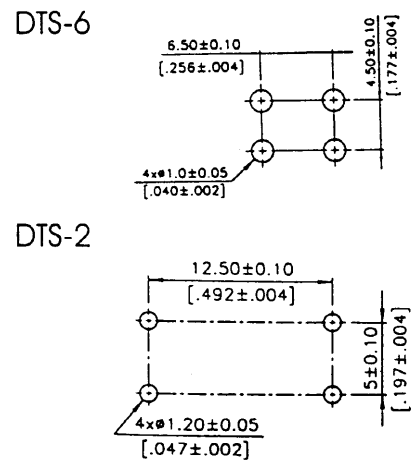


- ▲1. Only For DTS □ - 644&24, Cap In Bulk Pack
- ▲2. Square Cap For 644&24, Round Cap For 644

CIRCUIT



P.C.B. LAYOUT



SPECIFICATIONS ARE SUBJECT TO CHANGE WITHOUT NOTICE.
 *MORE UPDATE INFORMATION, PLEASE CONSULT DIPTRONICS.