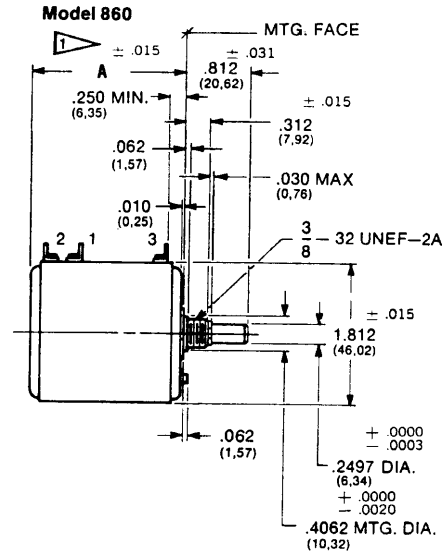
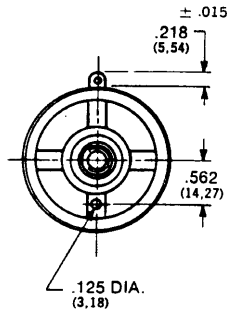
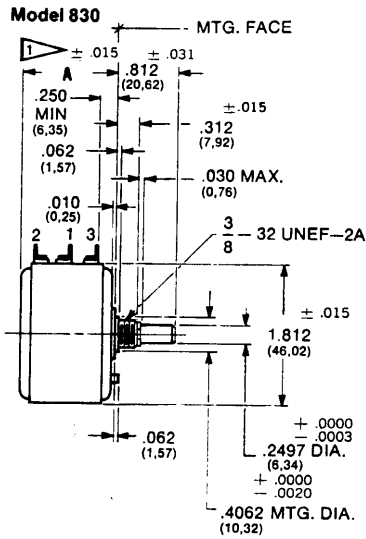


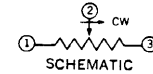
# 830, 860

# MULTI-TURN POTENTIOMETERS



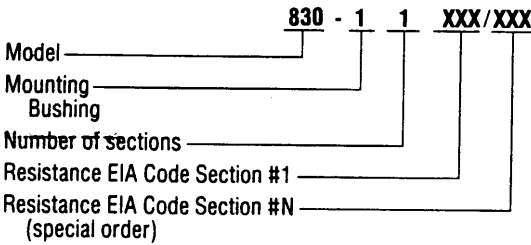
Model	Dimension A		Maximum Sections
	Single Section	Add for each Additional Section	
830	1.218	1.010	2
860	2.000	1.787	2

TOLERANCES: UNLESS OTHERWISE NOTED.  
 DECIMALS ± .005 ANGLES ± 2°  
 BASIC DIMENSIONS ARE IN INCHES  
 MILLIMETER DIMENSIONS IN PARENTHESES



## HOW TO ORDER THE MODEL 830 OR 860

Models can be ordered from this specification sheet by stating:



EIA Code	Standard Resistance	Model 830		Model 860	
		Resolution %	Temp. Coef. PPM/°C	Resolution %	Temp. Coef. PPM/°C
200	20Ω	0.094	800	0.044	800
500	50Ω	0.074	800	0.027	800
101	100Ω	0.071	180	0.024	800
201	200Ω	0.072	20	0.028	180
501	500Ω	0.064	110	0.023	20
102	1KΩ	0.050	110	0.018	20
202	2KΩ	0.047	20	0.020	110
502	5KΩ	0.035	20	0.015	20
103	10KΩ	0.029	20	0.013	20
203	20KΩ	0.024	20	0.010	20
503	50KΩ	0.017	20	0.007	20
104	100KΩ	0.015	20	0.007	20
154	150KΩ	0.013	20		
204	200KΩ			0.005	20
504	500KΩ			0.004	20

		830, 860	
<b>Materials Housing</b>		Glass filled Thermoset Plastic Aluminum, Anodized Glass filled Nylon Glass filled Thermoset Stainless Steel Stainless Steel Brass, Plated, Solderable	
<b>Bushing Lids: Rear Front</b>		Steel, Nickel Plated Brass, Nickel Plated	
<b>Shaft Clamp Ring (Dual Gang Only) Terminals</b>		1,000v RMS, 60Hz 1,000MΩ, 500v dc 100Ω ENR	
<b>Bushing Mount Hardware: Lockwasher, Internal Tooth Panel Nut</b>		Yes 15g, 10 to 2,000Hz 50g 96 Hours 900 Hours -55°C to +125°C Available	
<b>Electrical Specifications Dielectric Withstanding Insulation Resistance Peak Noise/Output Smoothness</b>		Starting 1.75 0.80	
<b>Environmental Specifications Moisture Resistant Vibration Shock Salt Spray Load Life Temperature Range Sealing</b>		Running 1.26 0.59	
<b>Mechanical Specifications Bearing Type: Bushing Mount Operating Torque: oz-in Bushing: 1 Section Each Add Section Mechanical Tolerance: in. Max Shaft Runout (TIR/in) Pilot dia. Runout (TIR) Lateral Runout (TIR) Shaft End Play Shaft Radial Play</b>		Bushing 0.002 0.002 0.005 0.010 0.003	



4051 Greystone Drive  
 Ontario, California 91761  
 (909) 923-3313 • FAX: (909) 923-6765