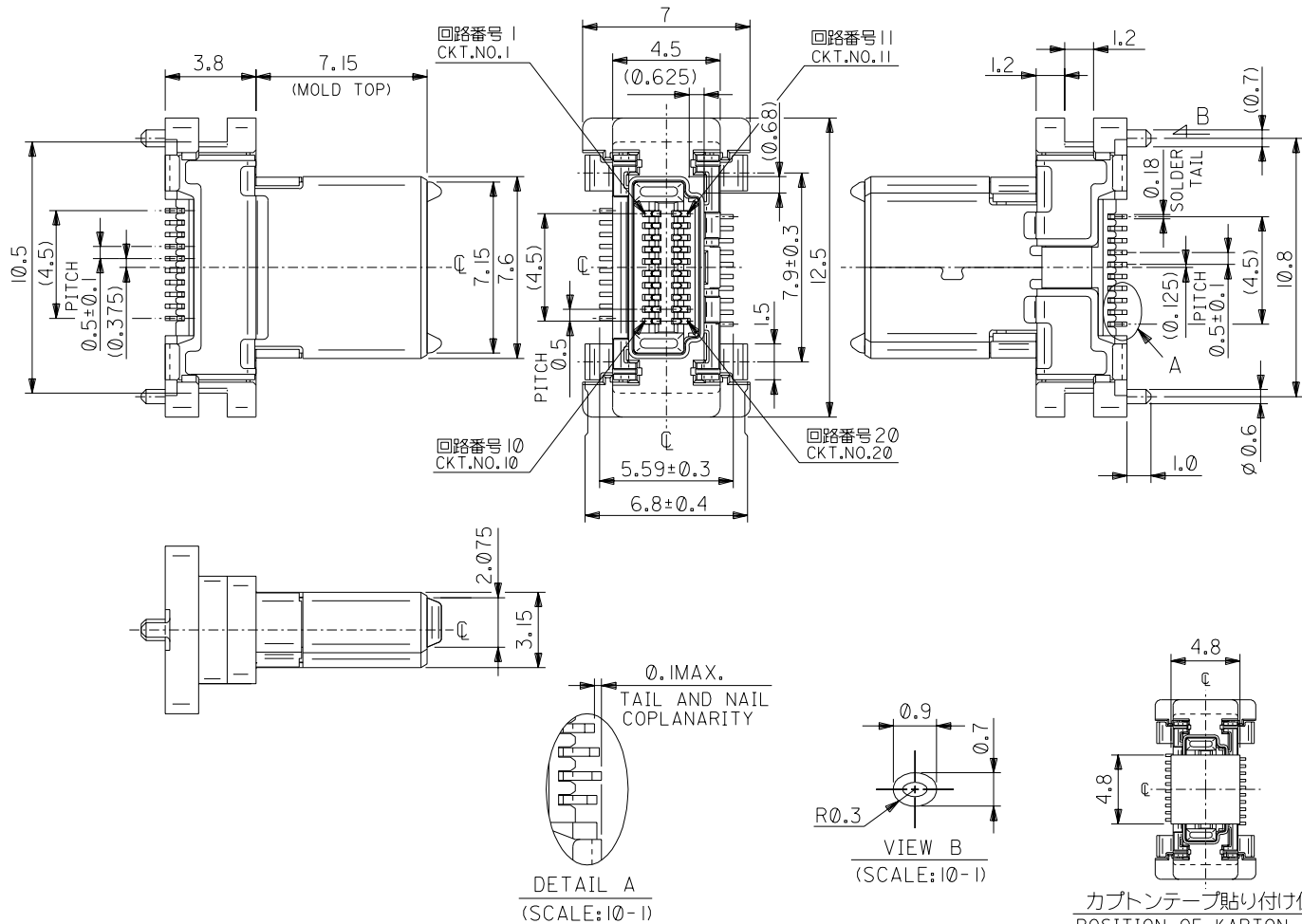


DWG. NO.
SD-51283-012



- NOTE:**
- 適合プラグ番号: 501014-2071
APPLICABLE PLUG NO.: 501014-2071
 - 材質 MATERIAL
 - ハウジング: ガラス入り耐熱樹脂 94V-0, 黒色
HOUSING: G.F. HEAT RESISTANT PLASTIC 94V-0, BLACK COLOR
 - ターミナル: 銅合金
TERMINAL COPPER ALLOY
 - リセ シールド: ステンレス鋼
REC. SHIELD STAINLESS STEEL
 - メッキ仕様 PLATING
 - ターミナル TERMINAL
 - 接点部: 金メッキ 0.1 MICROMETER MIN. CONTACT AREA GOLD
: パラジウムニッケルメッキ 0.2 MICROMETER MIN. PALLADIUM-NICKEL
 - 半田付け部: 錫メッキ 1.0 MICROMETER MIN. SOLDER TAIL AREA TIN
 - 下地メッキ: ニッケルメッキ 1.5 MICROMETER MIN. UNDER-PLATING NICKEL
 - リセ シールド REC. SHIELD
 - 錫メッキ: 1.0 MICROMETER MIN. TIN
 - 下地メッキ: ニッケルメッキ 1.0 MICROMETER MIN. UNDER-PLATING NICKEL
 - 本製品は 51283-20*1 の鉛フリー品である。
THIS PRODUCT IS LEAD FREE OF 51283-20*1.

無 WITHOUT	51283-2016	51283-20*6
有 WITH	51283-2006	
KAPTON TAPE	MATERIAL NO.	MODEL NO.
	DIMENSIONS:	SHT REV
	<input type="checkbox"/> mm <input type="checkbox"/> INCH <input type="checkbox"/> mm <input checked="" type="checkbox"/> INCH ONLY	REVISE ON CAD ONLY

DO NOT SCALE DRAWING

EC NO. DRWN: CHK: APPR:	EC NO. DRWN: CHK: APPR:	EC NO. DRWN: CHK: APPR:	EC NO. DRWN: CHK: APPR:	RELEASED '04/05/11 EC NO. J2004-4150 DRWN: T.UENO CHK: M.SASAO APPR: M.SASAO	MATERIAL 材料	GENERAL TOLERANCES: (UNLESS SPECIFIED) 一般公差	SCALE 5-1	DESIGN UNITS <input checked="" type="checkbox"/> mm <input type="checkbox"/> INCH	THIRD ANGLE PROJECTION <input checked="" type="checkbox"/>	TITLE: 0.5 I/O S/T CONN. REC. HS'G ASS'Y 20CKT. -LEAD FREE-	MATERIAL NO.	DRAWING NO.	SHEET NO.
					FINISH 仕上げ	10 UNDER 未満 ±0.2	DRAWN BY & DATE T.UENO '04/05/11				SD-51283-012.S01	SD-51283-012	1 OF 2
					WIRE RANGE 適用線径範囲	10 OVER 30 UNDER 未満 ±0.25	CHECKED BY & DATE M.SASAO '04/05/11						
					INS. RANGE 被覆外径	30 OVER 以上 ±0.3	APPROVED BY & DATE M.SASAO '04/05/11						
					REV	ANGLE 角度 ±3°							
							THIS DRAWING CONTAINS INFORMATION THAT IS PROPRIETARY TO MOLEX INCORPORATED AND SHOULD NOT BE USED WITHOUT WRITTEN PERMISSION.						SIZE B

DWG. NO.
SD-51283-012

8

7

6

5

4

3

2

1

F

E

D

C

B

F

D

V

C

B

DO NOT SCALE DRAWING

8

7

6

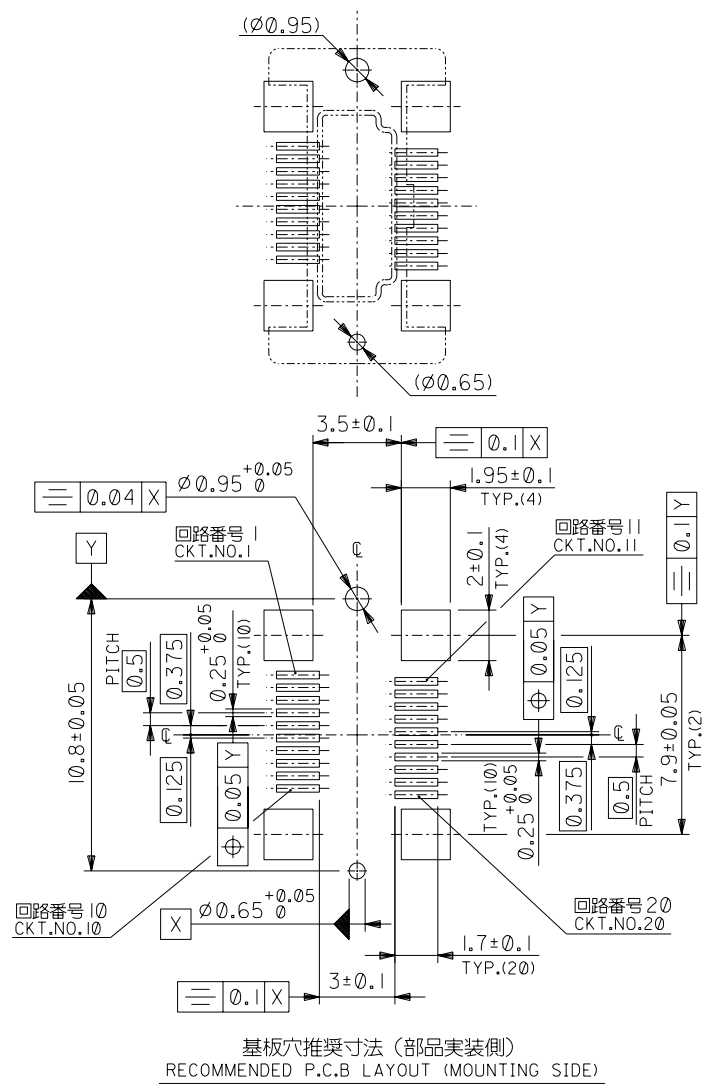
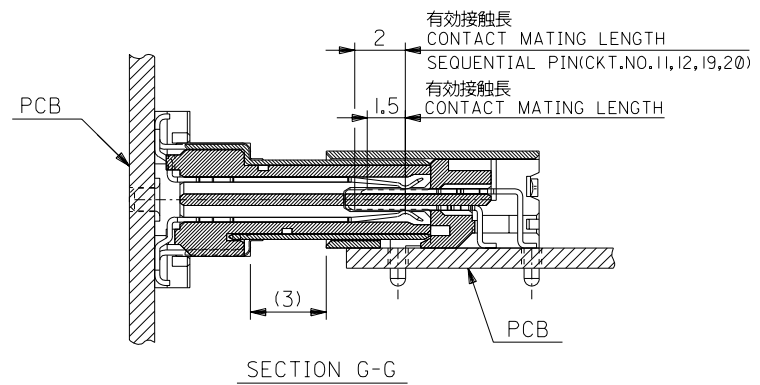
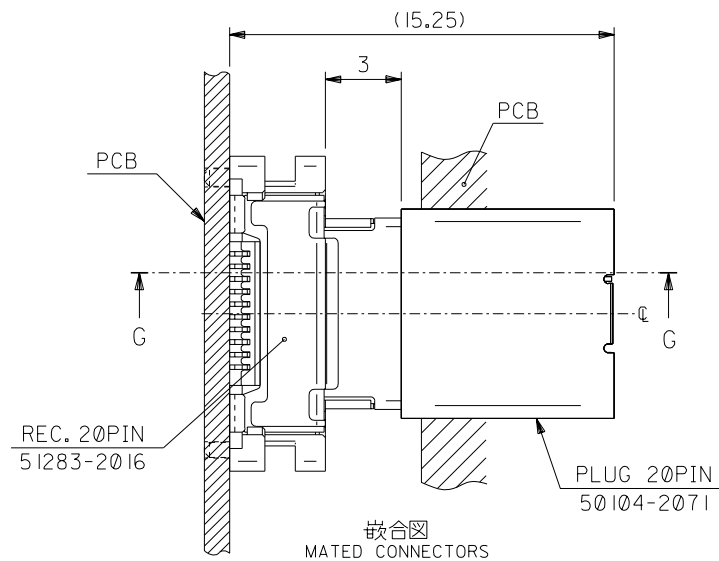
5

4

3

2

EN-02J(097) MXJ-54



EC NO. DRWN: CHK: APPR:	EC NO. DRWN: CHK: APPR:	EC NO. DRWN: CHK: APPR:	EC NO. DRWN: CHK: APPR:	EC NO. DRWN: CHK: APPR:	RELEASED '04/05/11 EC NO. 42004-4150 DRWN: T.UENO CHK: M.SASAO APPR: M.SASAO	MATERIAL 材料	#	GENERAL TOLERANCES: (UNLESS SPECIFIED) 一般公差	SCALE 5-1 DESIGN UNITS <input checked="" type="checkbox"/> mm <input type="checkbox"/> INCH	THIRD ANGLE PROJECTION <input type="checkbox"/> mm <input type="checkbox"/> INCH <input checked="" type="checkbox"/> mm ONLY	DIMENSIONS: <input type="checkbox"/> mm <input type="checkbox"/> INCH	SHT	REV	
						FINISH 仕上り								10 UNDER 未満
EC NO. DRWN: CHK: APPR:	EC NO. DRWN: CHK: APPR:	EC NO. DRWN: CHK: APPR:	EC NO. DRWN: CHK: APPR:	EC NO. DRWN: CHK: APPR:	REV	WIRE RANGE 適用線被範囲	#	10 OVER 以上	±0.25	CHECKED BY & DATE M.SASAO '04/05/11	MATERIAL NO. SEE CHART	DRAWING NO. SD-51283-012	SHEET NO. 2	
						INS. RANGE 被覆外径		30 OVER 以上	±0.3	APPROVED BY & DATE M.SASAO '04/05/11				MATERIAL NO. SEE CHART
								ANGLE 角度	±3°	THIS DRAWING CONTAINS INFORMATION THAT IS PROPRIETARY TO MOLEX INCORPORATED AND SHOULD NOT BE USED WITHOUT WRITTEN PERMISSION.				SIZE B

SD-51283-012.S02