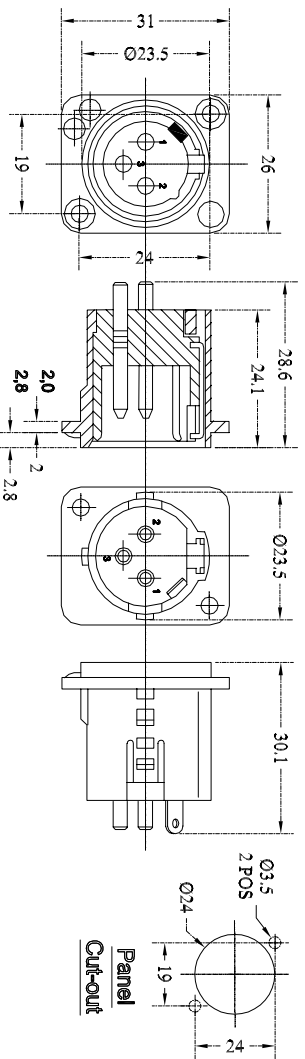


The 7000 Universal Range of Audio and Video Connectors employs many innovative features unique to the Deltron series. They are suitable for use in both commercial and industrial electronic applications, where reliability, simple operation and the elimination of RF and mechanical interference is necessary. Common uses include mixing desks, tape recorders, video recorders, DAT recorders and test instrumentation.

## Dimensions



Deltron Part No	Silver Contacts		Gold Contacts	
	Nickel	Black	Nickel	Black
3-way	717-0300	719-0300	723-0300	725-0300
4-way	717-0400	719-0400	723-0400	725-0400
5way	717-0500	719-0500	723-0500	725-0500

CONVERTED FROM PS0632 ISS6 (23.09.02) IN JAN 2003

Drgn No 717-719-723-725

TITLE PROFESSIONAL QUALITY — CHASSIS PLUG

ALL DIMENSIONS IN MM  
ANGLES IN DECIMAL DEGREES



## Features

- completely interchangeable with all leading manufactures of XLRs.
- can be mounted from either the front or rear face
- HOUSING: a rugged diecasting offering full RF protection, with small industrial standard flange.
- INSERT: thermoplastic with high mechanical, thermal and electrical properties, excellent chemical resistance and dimensional stability.
- CONTACTS: precision machined in brass with generous solder buckets to accept a wide range of cable sizes.
- SHELL TO GROUND TERMINAL: silver plated straight through connection.
- CODING: a unique interchangeable system of coloured plastic buttons providing a quick and easy system of identification (when the connector is front mounted.)

## Mechanical Properties

- Housing**  
Zinc high pressure diecast  
Satin nickel or black chrome  
Valox DR48 UL 94V-0
- Contact Base Contacts**  
Brass, 3 microns silver, anti-tarnish Finish, or 0.5 microns gold  
Spring Steel, Nickel plate  
3 microns silver plate
- Earth Tag**  
Acetal (UL 94 HB)
- Ident Buttons, Ident. Options**  
Black, Blue, Orange, Red, Green  
Yellow, Brown, Violet, Grey, White
- Operating Temp**  
-30°C to +80°C
- Insertion Force**  
20N
- Withdrawal Force**  
10N
- Min No. Insertions**  
10000

## Electrical Properties

- Number of Contacts**  
3, 4 or 5
- Rated Current per Contact**  
16, 10 or 7.5 AWG
- Maximum Wire Size (solid)**  
14, 14 or 14 AWG  
2.5, 2.5 or 2.5mm
- Cap. Between Contacts**  
4, 7 or 7pF
- Rated Voltage**  
250 Volts a.c.
- Test Voltage**  
1500 Volts a.c.
- Contact resistance**  
3 milli-Ohms
- Insulation resistance**  
1 giga-Ohms

**DELTRON Components**

ES

6

GENERAL SPECIFICATION  
FOR MULTIPOLE CONNECTOR

CUSTOMER

Aprvd Date 29/01/03

Aprvd By MC

FILTER REF

BS

Scale: NTS

Sheet 1 / 1