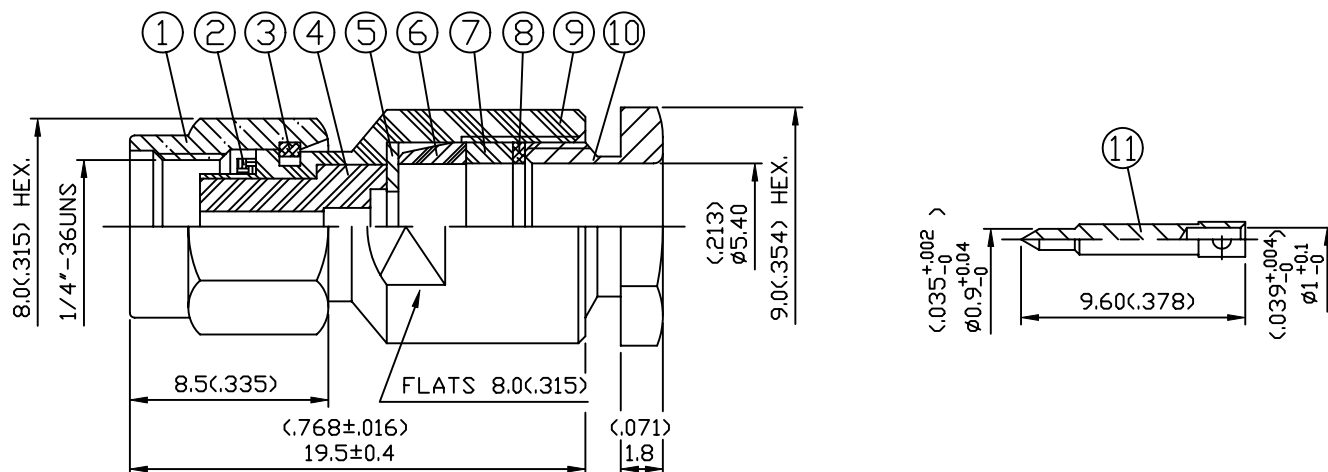


NO	DESCRIPTION	DATE
①	USE STAINLESS STEEL INSTEAD OF BRASS	05.15.95'
②	BACKGROUND FORMAT UPDATED	05.06.02'



NOTES: UNLESS OTHERWISE SPECIFIED

1. BODIES: BRASS PER JIS-C3604
2. CENTER CONTACT: BRASS PER JIS-C3604
3. INSULATION: TEFLON PER ASTM D1457 AND ASTM D1710
4. CONNECTOR INTERFACE PER MIL-STD-348A
5. PART TO BE CLEAN AND FREE OF BURRS

NO	DESCRIPTION	MATERIAL	Q'TY	FINISH
11	CENTER CONTACT	BRASS	1	GOLD 50 μ" MIN.
10	NUT	BRASS	1	GOLD 3 μ" MIN.
9	BODY	BRASS	1	GOLD 3 μ" MIN.
8	WASHER	BRASS	1	GOLD 3 μ" MIN.
7	GASKET	RUBBER	1	RED
6	BRAID CLAMP	BRASS	1	GOLD 3 μ" MIN.
5	WASHER	BRASS	1	GOLD 3 μ" MIN.
4	INSULATION	TEFLON	1	NONE
3	WASHER	STAINLESS STEEL	1	NONE
2	GASKET	SILICONE	1	RED
1	SHELL	BRASS	1	GOLD 3 μ" MIN.
NO	DESCRIPTION	MATERIAL	Q'TY	FINISH



製圖	DRAWN	TOLERANCE	品名		日期	DATE	版次	REV.
	袁金玉		.X	±0.2				
檢圖	CHECK	.XX	±0.1	TITLE	DWG.NO.	19-0001	佳楠精密電子股份有限公司 CHIN NAN PRECISION ELECTRONICS CO.,LTD.	
	袁金華	.XXX	±0.05	單位				
認定	APPROVAL	蘇文申	ANGLE	±5°	比例	4:1		