

535 280^{to} / 590

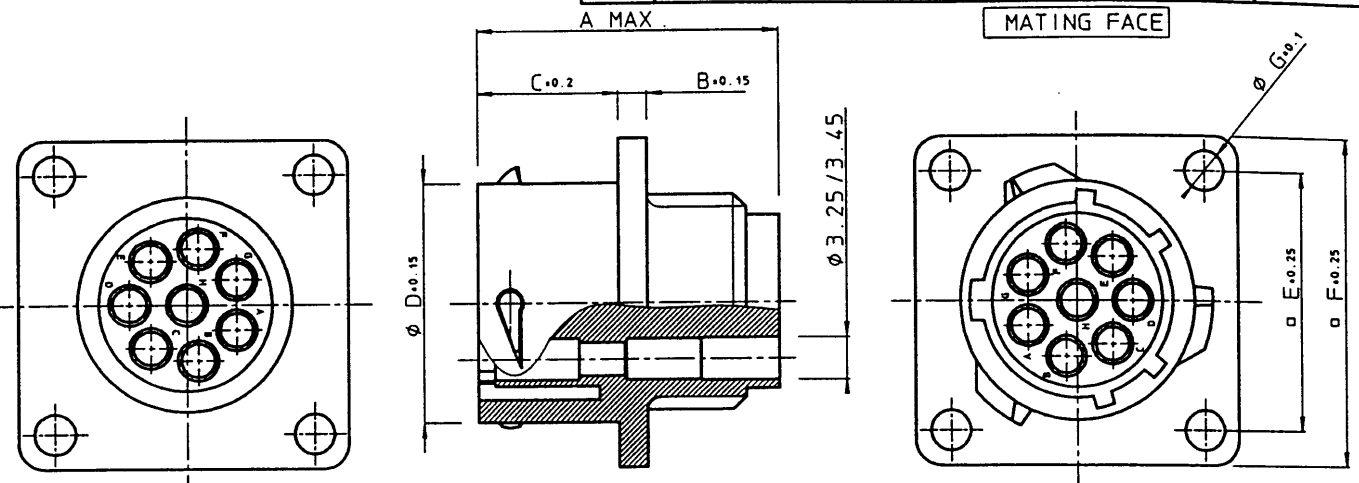
***TRIM TRIO "UTP"
SERIES***

***A NEW ALL PLASTIC
CIRCULAR CONNECTOR
FOR THE INDUSTRIAL
MARKET***

REV.	DATE	DESCRIPTION	BY	C'K'D'

WIRING FACE

MATING FACE

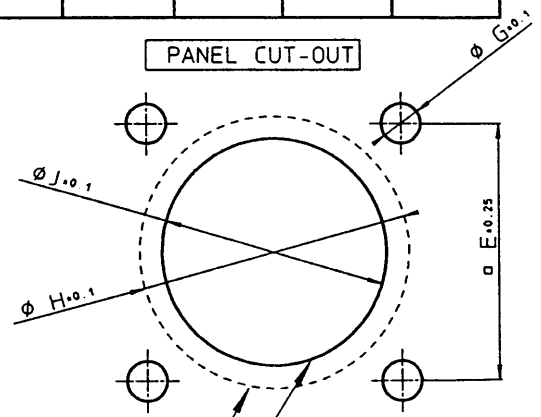


CAT. NUMBER	A MAX.	B+0.15	C+0.2	Ø D+0.15	E+0.25	F+0.25	Ø G+0.1	Ø H+0.1	Ø J+0.1
UTP0104S	24.3	2.3	11.3	15.0	18.3	23.8	3.2	17.3	15.1
UTP0125S	24.3	2.3	11.3	19.0	20.6	26.2	3.2	21.8	18.2
UTP0128S	24.3	2.3	11.3	19.0	20.6	26.2	3.2	21.8	18.2
UTP01412S	24.3	2.3	11.3	22.2	23.0	28.6	3.2	25.0	21.4
UTP01619S	24.3	2.3	11.3	25.3	24.6	31.0	3.2	28.1	24.6
UTP01823S	24.3	2.5	11.3	28.5	26.9	33.1	3.2	31.3	27.8
UTP02028S	27.0	2.5	14.5	31.7	29.4	36.5	3.2	34.5	30.9
UTP02235S	28.0	3.5	14.5	34.9	31.6	39.3	3.2	37.7	34.1
UTP02448S	30.4	3.5	15.3	38.0	34.9	42.9	3.9	40.9	37.3

* NOTE 4

UTP0128S AS SHOWN

PANEL CUT-OUT



MATERIAL

- BODY : GLASS-FILLED POLYESTER UL94-V0. COLOUR : BLACK

PERFORMANCE CHARACTERISTICS

- OPERATING TEMPERATURE : -25 °C TO +125 °C.
- INSULATION RESISTANCE : 5000 MΩ MIN.
- TEST POTENTIAL : 2000 V EFF.

NOTES

- CONNECTOR ACCEPTS * 16 STRIP FORMED SOCKET, MACHINED SOCKET AND SUBMINIATURE COAXIAL PIN AND SOCKET CONTACTS.
- CONTACTS TO BE ORDERED SEPARATELY : REFER TO TRIM - TRIO CATALOG.
- FOR OTHER INSERT ARRANGEMENTS SEE BS.C .201458.000
- FOR WATERPROTECTED VERSION: ADD 'H' TO THE CAT.NO. E.G. CAT.NO. : UTP0128SH
- MATING PART : UTP6----P

REAR PANEL MOUNTING
FRONT PANEL MOUNTING

BS, A , 201766 , 002 , 0A

GEN. ST.	01	02	03	04	05	06	07	08	0D	50	60	70	80	90																	
INT. ST.	10	11	12	13	14	18	20	31	32	33	34	38	39	40	42	43	44	45	46	48	56	70	72	73	75	76	81	82	83	84	88

1DEC ±0,2 1DEC 2DEC ±0,1 2DEC ANGLES ±1° HOEKEN	APPR.	DATE	SIGN.	FEMALE RECEPTACLE
WE RESERVE THE RIGHT TO CHANGE DIMENSIONS OR REQUIREMENTS WITHOUT PRIOR NOTICE.	DRAFT	19-04-94	J. GOOSSENS	CAT. No. UTP0----S(H) (SEE TABLE)
ALL DIMENSIONS IN MM	PROD. MGR.			FRAMATOME CONNECTORS BELGIUM N.V. A. SPINOYSTRAAT 8, 2800 MECHELEN
ALLE AFMETINGEN IN MM	PR. ENG MGR.			
	PR. MGT MGR.			REFERENCES / REFERENTIES
				BS, A , 201766 , 002 , 0A DRAWING NR. CUSTOMER DRAWING

DIT IS ONZE EIGENHEID EN MAG HOCH NAGEMAKT. HERDRUKT, OVERGEMAKT AAN DERDEN, NOCH VOOR FABRIKATE GERUUKT WORDEN, ZONDER ONZE SCHRIFTELIJKE TOELATING. BIJ NIET GERUUK IS DE TERAZENDING VERPLICHT.

THIS IS OUR EXCLUSIVE PROPERTY. IT IS NOT TO BE COPIED, REPRINTED OR DISCLOSED TO A THIRD PARTY. NOR USED FOR MANUFACTURING WITHOUT OUR WRITTEN CONSENT. AND HAS TO BE RETURNED TO US IN CASE OF NO USAGE

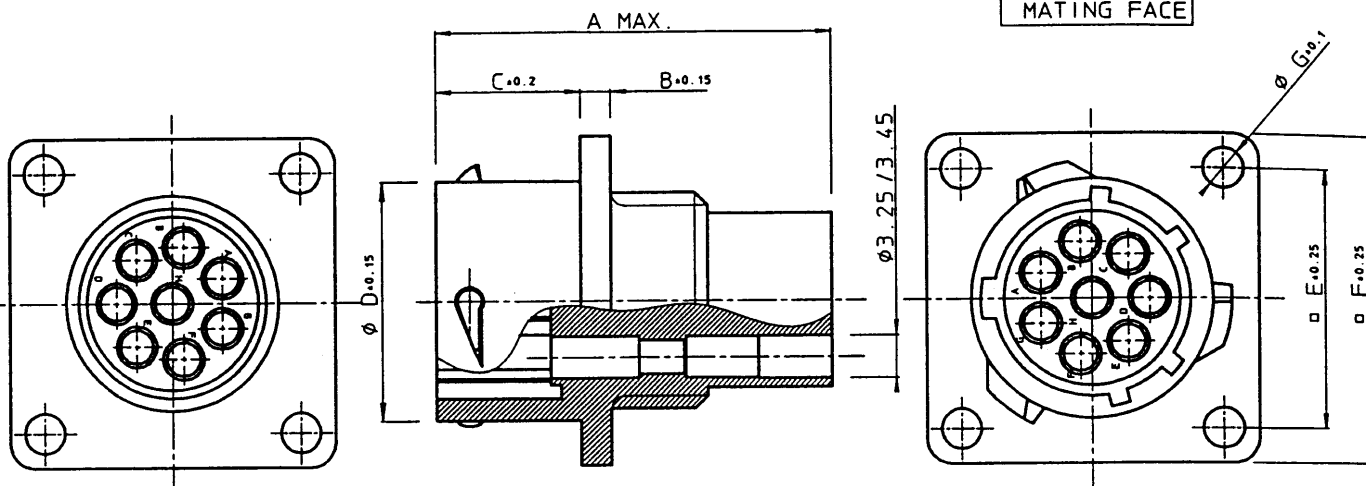
DIT IS OORZEE EIGENHOOR EN NIET HOOR NAGEHAANT, HERROEPK, OVEREENKOMT AAN DEEREN, NOCH VOOR FABRIKANTE GEBRUIKT WORDEN, ZONDER ONZE SCHRIFTELIJKE TOELAATING. BIJ NIET GEBRUIK IS DE TERUGZENDING VERPLICHT.

THIS IS OUR EXCLUSIVE PROPERTY. IT IS NOT TO BE COPIED, REPRINTED, OR DISCLOSED TO A THIRD PARTY, NOR USED FOR MANUFACTURING WITHOUT OUR WRITTEN CONSENT, AND HAS TO BE RETURNED TO US IN CASE OF NO USAGE

REV.	DATE	DESCRIPTION	BY	C'K'D'

WIRING FACE

MATING FACE



CAT. NUMBER	A MAX.	B+0.15	C+0.2	∅ D+0.15	E+0.25	F+0.25	∅ G+0.1	∅ H+0.1	∅ J+0.1
UTP0104P	31.7	2.3	11.3	15.0	18.3	23.8	3.2	17.3	15.1
UTP0125P	31.7	2.3	11.3	19.0	20.6	26.2	3.2	21.8	18.2
UTP0128P	31.7	2.3	11.3	19.0	20.6	26.2	3.2	21.8	18.2
UTP01412P	31.7	2.3	11.3	22.2	23.0	28.6	3.2	25.0	21.4
UTP01619P	31.7	2.3	11.3	25.3	24.6	31.0	3.2	28.1	24.6
UTP01823P	31.7	2.5	11.3	28.5	26.9	33.1	3.2	31.3	27.8
UTP02028P	33.3	2.5	14.5	31.7	29.4	36.5	3.2	34.5	30.9
UTP02235P	33.3	3.5	14.4	34.9	31.6	39.3	3.2	37.7	34.1
UTP02448P	33.3	3.5	15.3	38.0	34.9	42.9	3.9	40.9	37.3
* NOTE 4									

UTP0128P AS SHOWN

MATERIAL

- BODY : GLASS-FILLED POLYESTER UL94-V0. COLOUR : BLACK

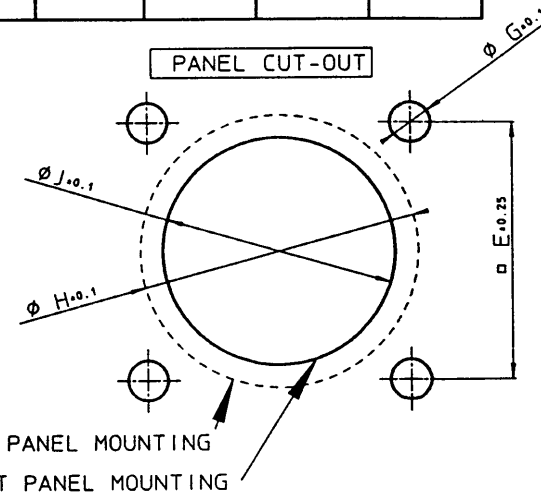
PERFORMANCE CHARACTERISTICS

- OPERATING TEMPERATURE : -25 °C TO +125 °C.
- INSULATION RESISTANCE : 5000 MΩ MIN.
- TEST POTENTIAL : 2000 V EFF.

NOTES

- CONNECTOR ACCEPTS 16 STRIP FORMED PIN, MACHINED PIN AND SUBMINATURE PIN AND SOCKET CONTACTS
- CONTACTS TO BE ORDERED SEPARATELY : REFER TO TRIM - TRIO CATALOG.
- FOR OTHER INSERT ARRANGEMENTS SEE BS.C .201458.000
- FOR WATERPROTECTED VERSION: ADD "H" TO THE CAT.NO. E.G. CAT.NO.: UTP0128PH
- MATING PART : UTP6----S

PANEL CUT-OUT



REAR PANEL MOUNTING
FRONT PANEL MOUNTING

BS, A , 201766, 001, 0A

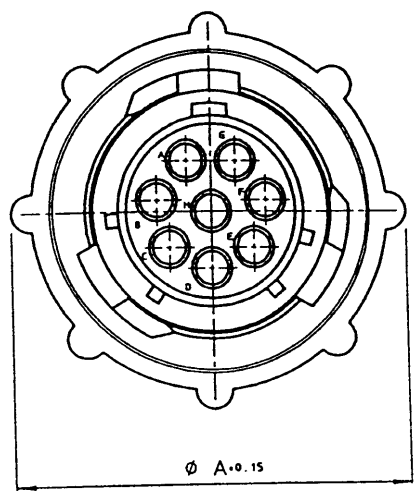
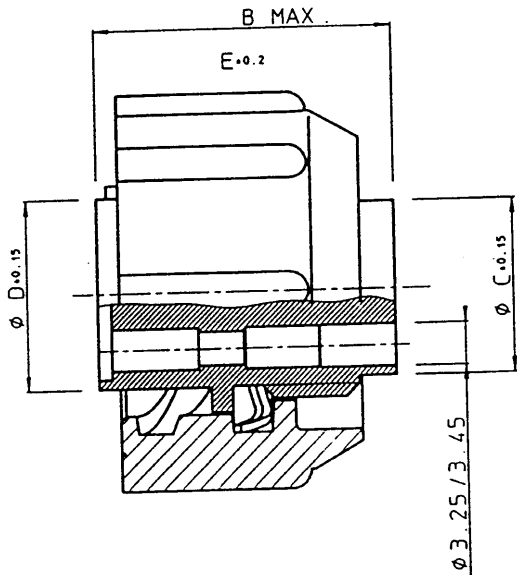
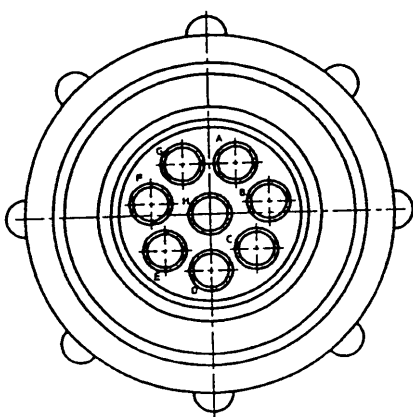
GEN. ST.	01	02	03	04	05	06	07	08	0D	50	60	70	80	90																	
INT. ST.	10	11	12	13	14	18	20	31	32	33	34	38	39	40	42	43	44	45	46	48	56	70	72	73	75	76	81	82	83	84	88

1DEC ±0.2 1DEC 2DEC ±0.1 2DEC ANGLES ±1° HOEKEN	APPR.	DATE	SIGN.	MALE RECEPTACLE
WE RESERVE THE RIGHT TO CHANGE DIMENSIONS OR REQUIREMENTS WITHOUT PRIOR NOTICE.	DRAFT	19-04-94	J. GOOSSENS	CAT. No. UTP0----P(H) (SEE TABLE)
ALL DIMENSIONS IN MM	PROD. MGR.			FRAMATOME CONNECTORS BELGIUM N.V. SCALE A. SPINOYSTRAT 8, 2800 MECHELEN
ALLE AFMETINGEN IN MM	PR. ENG. MGR.			
	PR. MGT. MGR.			REFERENCES / REFERENTIES
				BS, A , 201766, 001, 0A DRAWING NR. CUSTOMER DRAWING

REV.	DATE	DESCRIPTION	BY	C'K'D'

WIRING FACE

MATING FACE



CAT. NUMBER	Ø A ± 0.15	B MAX.	Ø C ± 0.15	Ø D ± 0.15	E ± 0.2
UTP6104S	26.7	23.7	10.9	12.2	19.1
UTP6125S	31.4	23.7	13.8	15.1	19.1
UTP6128S	31.4	23.7	13.8	15.1	19.1
UTP61412S	34.5	23.7	17.0	18.3	19.1
UTP61619S	37.8	23.7	19.9	21.5	19.1
UTP61823S	40.8	23.7	22.4	24.0	19.1
UTP62028S	43.9	24.9	25.6	27.2	19.1
UTP62235S	45.1	24.9	28.5	30.4	19.1
UTP62448S	50.1	26.2	31.7	33.5	19.1

MATERIAL

UTP6128S AS SHOWN

- BODY : GLASS-FILLED POLYESTER UL94-V0. COLOUR : BLACK
- BAYONET RING : GLASS-FILLED POLYESTER UL94-V0. COLOUR : BLACK
- COUPLING SPRING : SPRING STEEL

PERFORMANCE CHARACTERISTICS

- OPERATING TEMPERATURE : -25 °C TO +125 °C
- INSULATION RESISTANCE : 5000 MΩ MIN.
- TEST POTENTIAL : 2000 V EFF

NOTES

- 1 CONNECTOR ACCEPTS 16 STRIP FORMED SOCKET, MACHINED SOCKET AND SUBMINIATURE COAXIAL PIN AND SOCKET CONTACTS.
- 2 CONTACTS TO BE ORDERED SEPARATELY : REFER TO TRIM - TRIO CATALOG
3. FOR OTHER INSERT ARRANGEMENTS SEE BS.C .201458.000
4. MATING PART : UTP0----P OR UTP1----P

GEN. ST.	01	02	03	04	05	06	07	08	0D	50	60	70	80	90																
INT. ST.	10	11	12	13	14	18	20	31	32	33	34	38	39	40	42	43	44	45	46	48	56	70	72	73	75	76	81	82	85	86

1DEC ±0.2 1DEC
2DEC ±0.1 2DEC
ANGLES ±1° HOEKEN

WE RESERVE THE RIGHT TO CHANGE DIMENSIONS OR REQUIREMENTS WITHOUT PRIOR NOTICE.

ALL DIMENSIONS IN MM

ALLE AFMETINGEN IN MM

APPR.	DATE	SIGN.
DRAFT	19-04-94	J. GOOSSENS
CHECKED		
PROD. MGR.		
PR. ENG. MGR.		
PR. MGT. MGR.		

REFERENCES/REFERENTIES

FEMALE PLUG

CAT. No. UTP6----S(H) (SEE TABLE)

FCI FRAMATOME CONNECTORS BELGIUM N.V. A SPINOYSTRAAT 8, 2800 MECHELEN

BS, A .201766,004,0A
DRAWING NR. CUSTOMER DRAWING

DIT IS ONZE EIGENDOM EN MAG NOCH NAGEMAAKT. HERDRUKT, OVERGEMAAKT AAN DERDEN, NOCH VOOR FABRIKATIE GEBRUIKT WORDEN, ZONDER ONZE SCHRIFTELIJKE TOELATING. BIJ NIET GEBRUIK IS DE TERUGZENDING VERPLICHT.
 THIS IS OUR EXCLUSIVE PROPERTY. IT IS NOT TO BE COPIED, REPRINTED OR DISCLOSED TO A THIRD PARTY, NOR USED FOR MANUFACTURING WITHOUT OUR WRITTEN CONSENT, AND HAS TO BE RETURNED TO US IN CASE OF NO USAGE

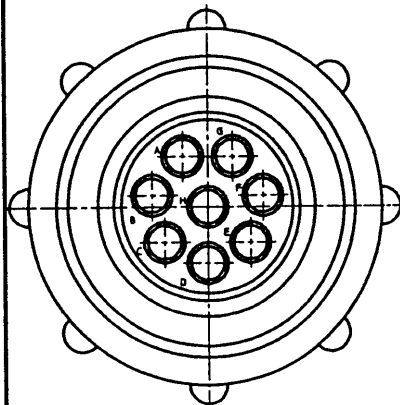
BS, A .201766,004,0A

REV.	DATE	DESCRIPTION	BY	C'K'D'

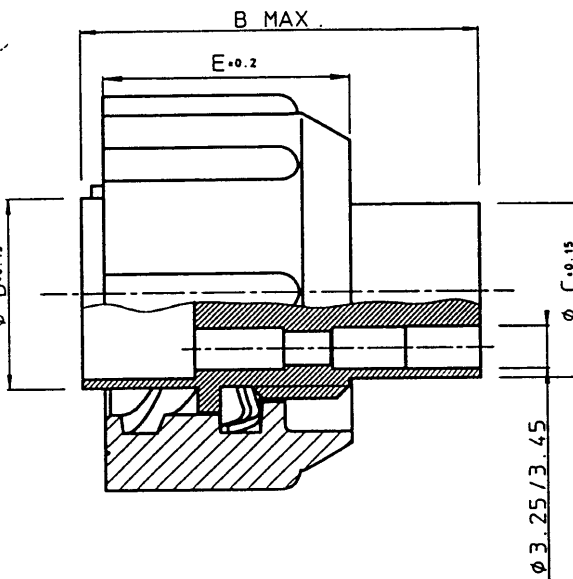
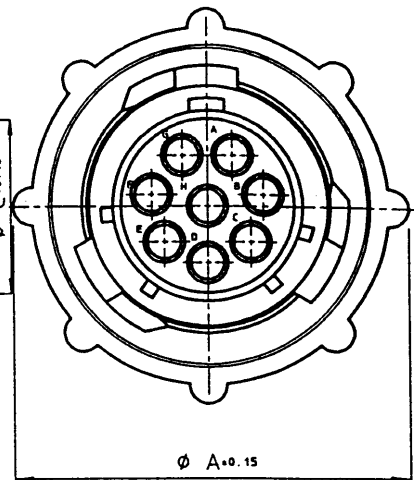
DIT IS OORZE EIGENOM EN MAG HOCH NAGEHAANT, HERORUKT, OVERGEHAANT AAN DEREN, HOCH VOOR FABRIKATE GERBUKT WORDEN, ZONDER ONZE SCHRIFTELIJKE TOELATING. BIJ NIET GERBUK IS DE TERUGZENDING VERPLICHT.

THIS IS OUR EXCLUSIVE PROPERTY. IT IS NOT TO BE COPIED, REPRINTED OR DISCLOSED TO A THIRD PARTY, NOR USED FOR MANUFACTURING WITHOUT OUR WRITTEN CONSENT, AND HAS TO BE RETURNED TO US IN CASE OF NO USAGE

WIRING FACE



MATING FACE



CAT. NUMBER	Ø A+0.15	B MAX.	Ø C+0.15	Ø D+0.15	E+0.2
UTP6104P	26.7	31.8	10.9	12.2	19.1
UTP6125P	31.4	31.8	13.8	15.1	19.1
UTP6128P	31.4	31.8	13.8	15.1	19.1
UTP61412P	34.5	31.8	17.0	18.3	19.1
UTP61619P	37.8	31.8	19.9	21.5	19.1
UTP61823P	40.8	31.8	22.4	24.0	10.1
UTP62028P	43.9	31.8	25.6	27.2	19.1
UTP62235P	45.1	31.8	26.5	30.4	19.1
UTP62448P	50.1	31.8	31.7	33.5	19.1

MATERIAL

UTP6128P AS SHOWN

- BODY : GLASS-FILLED POLYESTER UL94-V0 , COLOUR : BLACK
- BAYONET RING : GLASS-FILLED POLYESTER UL94-V0, COLOUR BLACK
- COUPLING SPRING : SPRING STEEL

PERFORMANCE CHARACTERISTICS

- OPERATING TEMPERATURE : -25 °C TO +125 °C.
- INSULATION RESISTANCE : 5000 MΩ MIN.
- TEST POTENTIAL : 2000 V EFF.

NOTES

- 1 CONNECTOR ACCEPTS 16 STRIP FORMED PIN, MACHINED PIN AND SUBMINIATURE COAXIAL PIN AND SOCKET CONTACTS.
- 2 CONTACTS TO BE ORDERED SEPARATELY : REFER TO TRIM - TRIO CATALOG.
- 3.FOR OTHER INSERT ARRANGEMENTS SEE BS.C .201458.000
- 4.MATING PART : UTP0----S OR UTP1----S

BS, A , 201766 , 003, 0A

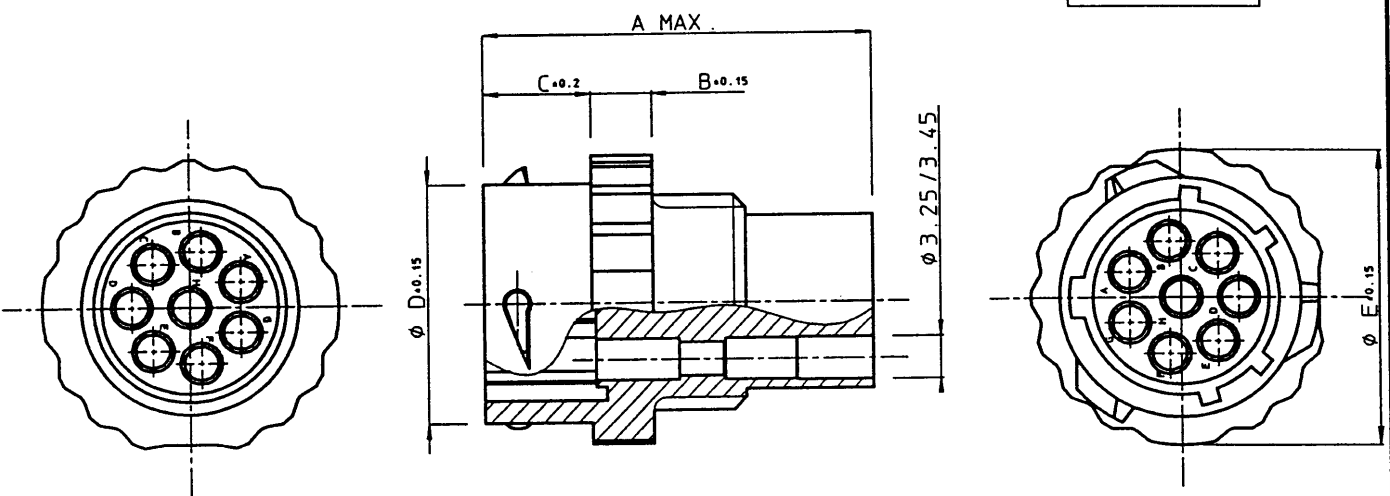
GEN. ST.	01	02	03	04	05	06	07	08	0D	50	60	70	80	90																	
INT. ST.	10	11	12	13	14	18	20	31	32	33	34	38	39	40	42	43	44	45	46	48	56	70	72	73	75	76	81	82	83	84	88

1DEC ±0,2 1DEC 2DEC ±0,1 2DEC ANGLES ±1° HOEKEN	APPR.	DATE	SIGN.	MALE PLUG
WE RESERVE THE RIGHT TO CHANGE DIMENSIONS OR REQUIREMENTS WITHOUT PRIOR NOTICE.	DRAFT	19-04-94	J.GOOSENS	CAT. No. UTP6----P(H) (SEE TABLE)
ALL DIMENSIONS IN MM	CHECKED			FCI FRAMATONE CONNECTORS INTERNATIONAL A. SPINOYSTRAAAT 8, 2800 MECHELEN
ALLE AFMETINGEN IN MM	PROD. MGR.			
	PR. ENG. MGR.			BS, A , 201766 , 003, 0A DRAWING NR. CUSTOMER DRAWING
	PR. MGT. MGR.			
	REFERENCES / REFERENTIES			

REV.	DATE	DESCRIPTION	BY	C'K'D'

WIRING FACE

MATING FACE



CAT. NUMBER	A MAX.	B+0.15	C+0.2	Ø D+0.15	Ø E+0.15
UTP1104P	31.7	5.0	8.65	15.0	19.5
UTP1125P	31.7	5.0	8.65	19.0	23.5
UTP1128P	31.7	5.0	8.65	19.0	23.5
UTP11412P	31.7	5.0	8.65	22.2	27.0
UTP11619P	31.7	5.0	8.65	25.3	30.0
UTP11823P	31.7	2.5	11.3	28.5	33.3
UTP12028P	33.3	5.0	12.05	31.7	36.5
UTP12235P	33.3	3.5	14.2	34.9	39.7
UTP12448P	33.3	5.0	13.85	38.0	42.5
* NOTE 4					

MATERIAL

UTP1128P AS SHOWN

- BODY : GLASS-FILLED POLYESTER UL94-V0
- COLOUR : BLACK.


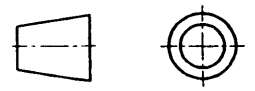
PERFORMANCE CHARACTERISTICS

- OPERATING TEMPERATURE : -25 °C TO +125 °C.
- INSULATION RESISTANCE : 5000 MΩ MIN.
- TEST POTENTIAL : 2000 V EFF.

NOTES

- CONNECTOR ACCEPTS * 16 STRIP FORMED PIN, MACHINED PIN AND SUBMINIATURE COAXIAL PIN AND SOCKET CONTACTS.
- CONTACTS TO BE ORDERED SEPARATELY : REFER TO TRIM - TRIO CATALOG
- FOR OTHER INSERT ARRANGEMENTS SEE BS.C .201458.000
- FOR WATERPROTECTED VERSION: ADD 'H' TO THE CAT.NO. E.G. CAT.NO. : UTP1128PH
- MATING PART : UTP6----S

GEN. ST.	01	02	03	04	05	06	07	08	0D	50	60	70	80	90																	
INT. ST.	10	11	12	13	14	18	20	31	32	33	34	38	39	40	42	43	44	45	46	48	56	70	72	73	75	76	81	82	83	84	88

1DEC ±0.2 1DEC 2DEC ±0.1 2DEC ANGLES ±1° HOEKEN	APPR.	DATE	SIGN.	FREE HANGING MALE RECEPTACLE
	DRAFT	22-4-94	J. GOOSSENS	CAT. No. UTP1----P (SEE TABLE)
WE RESERVE THE RIGHT TO CHANGE DIMENSIONS OR REQUIREMENTS WITHOUT PRIOR NOTICE.	CHECKED			 FRAMATOME CONNECTORS BELGIUM N.V. A. SPINOYSTRAAAT 8, 2800 MECHELEN
	PR. ENG. MGR.			
ALL DIMENSIONS IN MM	PR. MGT. MGR.			BS, A , 201766, 005, 0A DRAWING NR. CUSTOMER DRAWING
 ALLE AFMETINGEN IN MM	REFERENCES / REFERENTIES			

DIT IS ONZE EIGENHOOR EN MAG HOCH NAGEHAAKT. NEMOERKT. OVENGEHAAKT AAN DEERDEN. HOCH VOOR FABRIKATIE GEBRUIKT WORDEN, ZONDER ONZE SCHRIFTELIJKE TOELATING. BIJ NIET GEBRUIK IS DE TERUZZOING VERPLICHT.

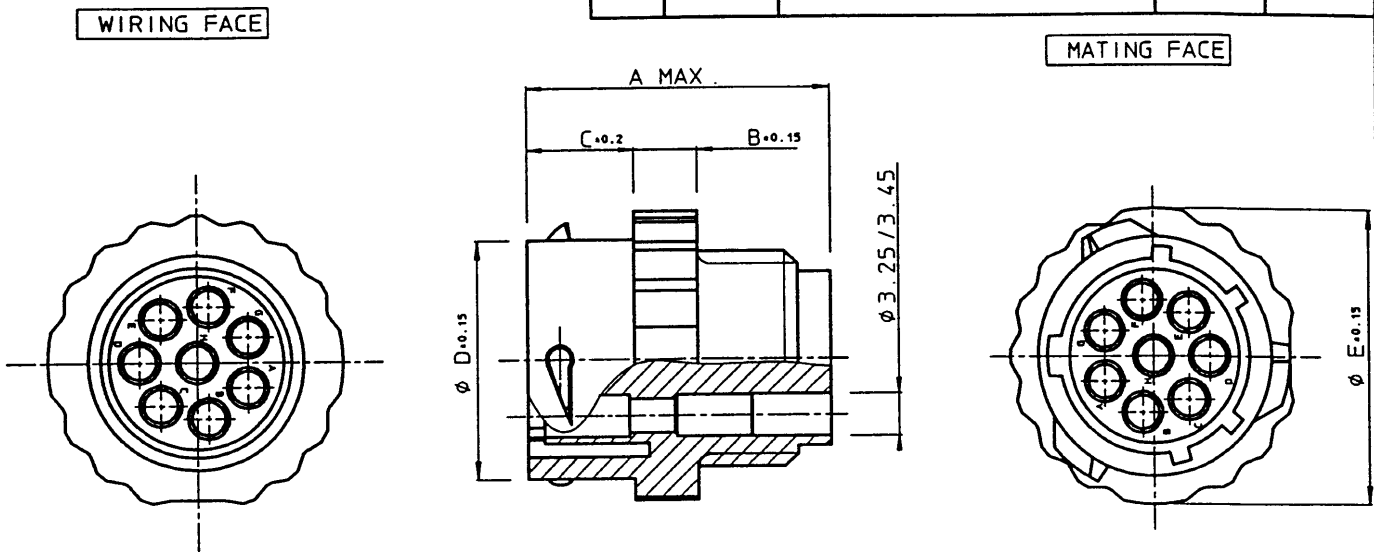
THIS IS OUR EXCLUSIVE PROPERTY. IT IS NOT TO BE COPIED, REPRINTED OR DISCLOSED TO A THIRD PARTY, NOR USED FOR MANUFACTURING WITHOUT OUR WRITTEN CONSENT, AND HAS TO BE RETURNED TO US IN CASE OF NO USAGE

BS, A , 201766, 005, 0A

DIT IS ONZE EIGENDOM EN MAG HOCH NAGEMAAKT. HERDUK. OVERGEMAAKT AAN DERDEN. HOCH VOOR FABRIKATIE GEBRUIKT WORDEN. ZONDER ONZE SCHRIFTELIJKE TOELATING. BIJ NIET GEBRUIK IS DE TERUGZENDING VERPLICHT.

THIS IS OUR EXCLUSIVE PROPERTY. IT IS NOT TO BE COPIED, REPRINTED OR DISCLOSED TO A THIRD PARTY. NOR USED FOR MANUFACTURING WITHOUT OUR WRITTEN CONSENT. AND HAS TO BE RETURNED TO US IN CASE OF NO USAGE

REV.	DATE	DESCRIPTION	BY	C'K'D'



CAT. NUMBER	A MAX.	B+0.15	C+0.2	Ø D+0.15	Ø E+0.15
UTP1104S	24.3	5.0	8.65	15.0	19.5
UTP1125S	24.3	5.0	8.65	19.0	23.5
UTP1128S	24.3	5.0	8.65	19.0	23.5
UTP11412S	24.3	5.0	8.65	22.2	27.0
UTP11619S	24.3	5.0	8.65	25.3	30.0
UTP11823S	24.3	2.5	14.5	31.7	36.5
UTP12028S	27.0	5.0	12.05	31.7	36.5
UTP12235S	28.0	3.5	14.5	34.9	39.7
UTP12448S	30.4	5.0	13.85	38.0	42.5
* NOTE 4					

MATERIAL

UTP1128S AS SHOWN

- BODY : GLASS-FILLED POLYESTER UL94-V0
- COLOUR : BLACK.

PERFORMANCE CHARACTERISTICS

- OPERATING TEMPERATURE : -25 °C TO +125 °C.
- INSULATION RESISTANCE : 5000 MΩ MIN.
- TEST POTENTIAL : 2000 V EFF.

NOTES

- CONNECTOR ACCEPTS # 16 STRIP FORMED SOCKET, MACHINED SOCKET AND SUBMINIATURE COAXIAL PIN AND SOCKET CONTACTS.
- CONTACTS TO BE ORDERED SEPARATELY : REFER TO TRIM - TRIO CATALOG.
- FOR OTHER INSERT ARRANGEMENTS SEE BS.C .201458.000
- FOR WATERPROTECTED VERSION: ADD 'H' TO THE CAT.NO. E.G. CAT.NO.: UTP1128SH
- MATING PART : UTP6----P

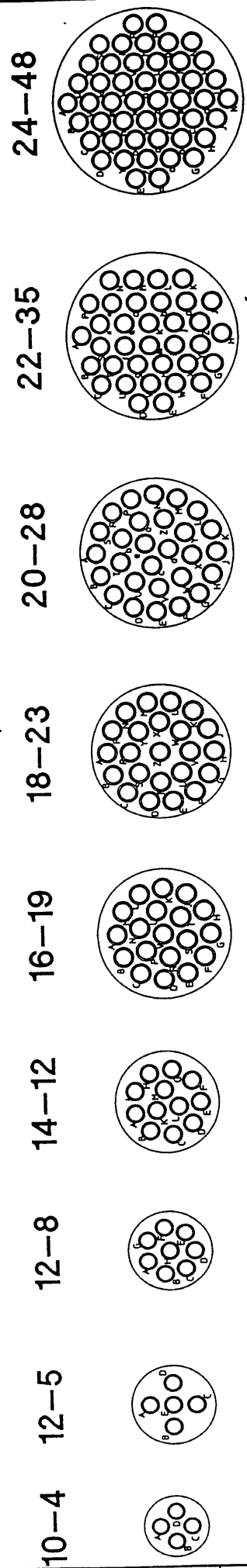
BS, A , 201766, 006, 0A

GEN. ST.	01	02	03	04	05	06	07	08	0D	50	60	70	80	90																	
INT. ST.	10	11	12	13	14	18	20	31	32	33	34	38	39	40	42	43	44	45	46	48	56	70	72	73	75	76	81	82	83	84	88

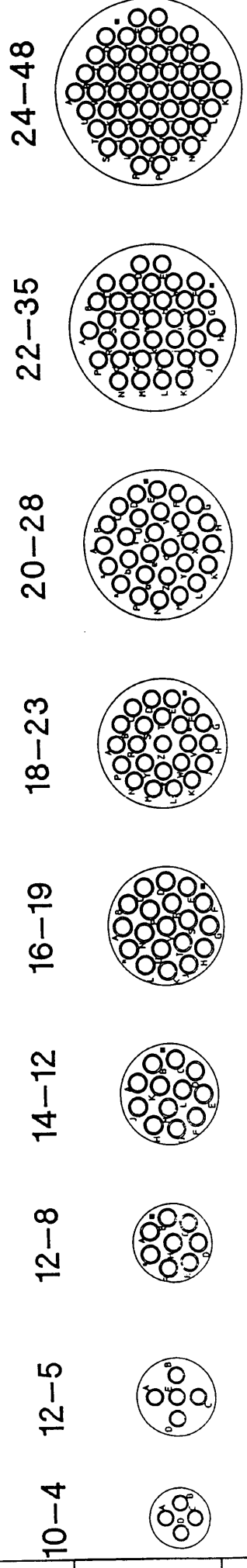
1DEC ±0.2 1DEC 2DEC ±0.1 2DEC ANGLES ±1° HOEKEN	APPR.	DATE	SIGN.	FREE HANGING FEMALE RECEPTACLE
WE RESERVE THE RIGHT TO CHANGE DIMENSIONS OR REQUIREMENTS WITHOUT PRIOR NOTICE.	DRAFT	22-4-94	J. GOOSSENS	CAT. No. UTP1----S (SEE TABLE)
	CHECKED			FRAMATOME CONNECTORS BELGIUM N.V. A. SPINOYSTRAAT 8, 2800 MECHELEN
ALL DIMENSIONS IN MM	PROD. MGR.			
	PR. ENG MGR.			
	PR. MGT MGR.			
	REFERENCES / REFERENTIES			
ALLE AFMETINGEN IN MM	DRAWING NR. BS, A , 201766, 006, 0A			CUSTOMER DRAWING

BS.C . 201458 . 000 . 01	GEN. ST.	01	02	03	04	05	06	07	08	0D	50	60	70	80	90	REV.	DATE	DESCRIPTION	BY	C.K'D'															
	INT. ST.	10	11	12	13	14	18	20	31	32	33	34	38	39	40	42	43	44	45	46	48	56	70	72	73	75	76	81	82	83	84	88	01	27-04-91	COMPOSITION N°10

FEMALE MATING FACE
MALE WIRING FACE



MALE MATING FACE
FEMALE WIRING FACE



1DEC +0,2 1DEC 2DEC +0,1 2DEC ANGLES 1° HOEKEN	APPR. DRAFT CHECKED	DATE 00-05-92 Y D	SIGN.	INSERT ARRANGEMENTS UTO/UTG/UTP
WE RESERVE THE RIGHT TO CHANGE DIMENSIONS WITHOUT NOTICE.	PROD. MGR. PR. ENG. MGR. PR. MGT. MGR.			CAT. No. ARRANGEMENTS
ALL DIMENSIONS IN MM	REFERENCES/REFERENTIES	FRAMATOME CONNECTORS BELGIUM N V SCALE A SPINDI STRAAT 8, 2000 MEHELEN F C I FRAMATOME		
ALLE AFMETINGEN IN MM		BS.C . 201458 . 000 . 01 DRAWING NO. CUSTOMER DRAWING		

THIS IS OUR EXCLUSIVE PROPERTY. IT IS NOT TO BE COPIED, REPRODUCED, OR TRANSMITTED IN ANY FORM OR BY ANY MEANS, WITHOUT OUR WRITTEN CONSENT, AND HAS TO BE RETURNED TO US IN THE CASE OF NO USAGE.

011.15 ENKE EIZINGEN EN HOU WAZENMAAT. HERENBET. OVERZICHTMAAT VAN
DEREN. HOE WOP FABRIKATIE GEMAKT WORDEN. HOE WOP SCHRIFTELIJKE
TOELATING. BIJ HET GEBRUIK IS TOEGESTELDEN TOEGELIJD.

BS.C. 201766.000.0A

GEN. ST.
INT. ST.

01 02 03 04 05 06 07 08 0D 50 60 70 75 76 81 82 83 84 88

REV. DATE

DESCRIPTION

BY C.K.D.

SIZE 14 AS SHOWN

H (MATED LENGTH)

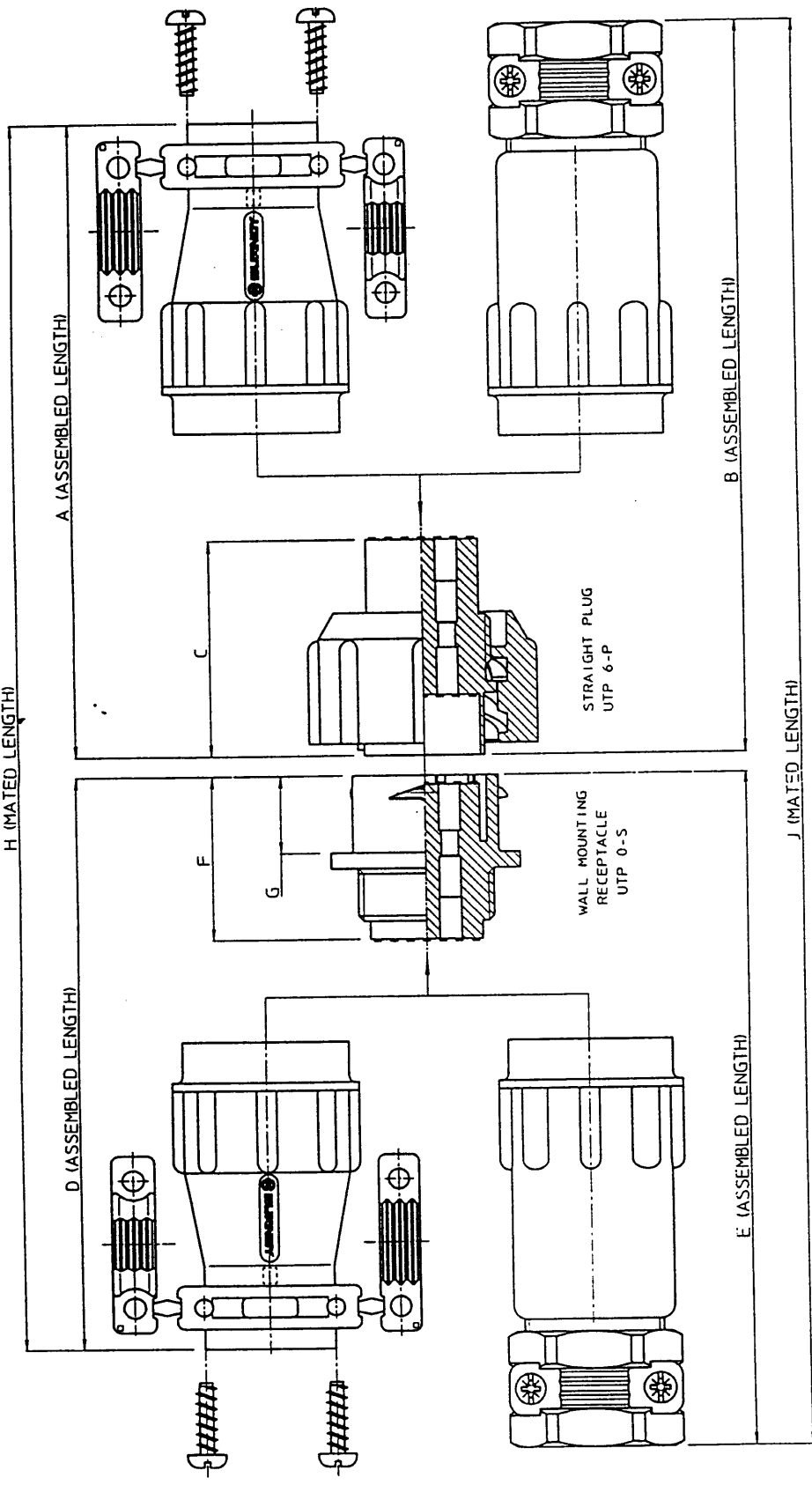
D (ASSEMBLED LENGTH)

A (ASSEMBLED LENGTH)

E (ASSEMBLED LENGTH)

B (ASSEMBLED LENGTH)

J (MATED LENGTH)



MATED AND ASSEMBLED LENGTHS : SEE TRIM-TRIO CATALOG UTG LINE

FEATURES AND BENEFITS :

1. CONNECTORS AND ACCESSORIES MOULDED FROM A HIGHLY DURABLE GLASS-FILLED THERMOPLASTIC.
2. UL94V0 RATED.
3. SPRING LOADED PLASTIC BAYONET COUPLING SYSTEM.
4. FIVE KEYS AND KEYWAYS ASSURE CORRECT MATING BETWEEN PLUG AND RECEPTACLE.
5. AVAILABLE IN SIZES 10-12-14-16-18-20-22-24.
6. ACCEPT TRIM-TRIO REMOVABLE SNAP-LOCK CONTACTS
7. INTERCHANGEABLE AND INTERMOUNTABLE WITH EXISTING UTG/UTO LINE.

APPR.	DATE	SIGN.	MATED AND ASSEMBLED LENGTHS
DRAFT	22.04.94	J. GOOSSENS	CAT. No. UTP-----
CHECKED			
PROD. MGR			SCALE
PR. ENG. MGR			FRANATONE CONNECTORS BELGIUM N.V.
PR. MGT. MGR			FCI A PINGSTRAAT 8, 2000 BEELEN
REFERENCES/REFERENTIES			INDUSTRIËL
ALL DIMENSIONS IN MM			3 : 1
ALLE AFMETINGEN IN MM			

THIS IS ONE OF THE PRODUCTS OF THE TRIM-TRIO SYSTEM. IT IS NOT TO BE USED IN A MOUNTING WHICH IS NOT APPROVED BY THE MANUFACTURER. THE USER IS RESPONSIBLE FOR THE PROPER USE OF THE PRODUCT. THE USER IS RESPONSIBLE FOR THE PROPER USE OF THE PRODUCT.

THIS IS ONE OF THE PRODUCTS OF THE TRIM-TRIO SYSTEM. IT IS NOT TO BE USED IN A MOUNTING WHICH IS NOT APPROVED BY THE MANUFACTURER. THE USER IS RESPONSIBLE FOR THE PROPER USE OF THE PRODUCT. THE USER IS RESPONSIBLE FOR THE PROPER USE OF THE PRODUCT.

BS.C. 201766.000.0A
DRAWING NO. 2
CUSTOMER DRAWING 1