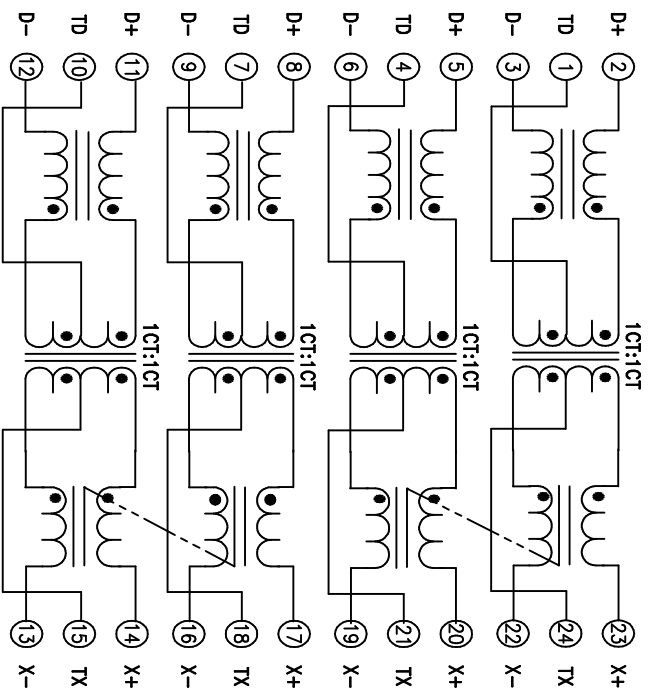
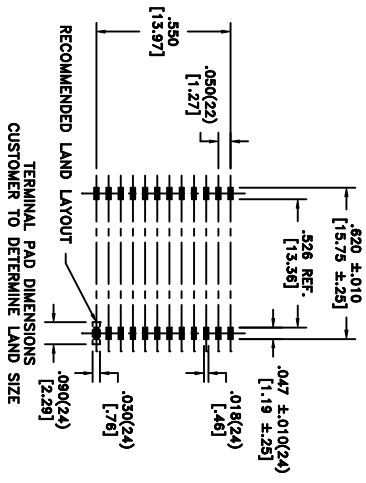
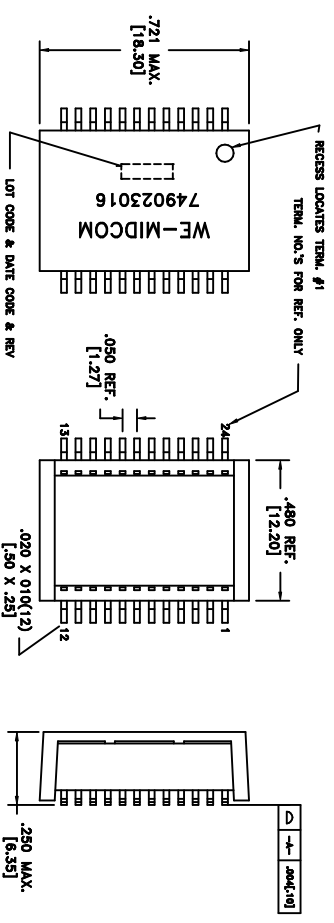


CUSTOMER TERMINAL	RoHS	LEAD(Pb)-FREE
5189X, Ag4X	Yes	No



ELECTRICAL SPECIFICATIONS @ 25°C unless otherwise noted:

- INDUCTANCE: 350uH min., 100KHz, 100mV, 8mADC, 23-22; 20-19; 17-16; 14-13, lp.
- DIELECTRIC RATING: 1500Vrms, 1 minute tested by applying 1800Vrms for 1 second between 1-24(the 1+4+7+10, 15+18+21+24).
- INSERTION LOSS: -1.2dB max., 300k - 125MHz.
- RETURN LOSS: -18dB min., 500k - 40MHz.
-15dB min., 40M - 60MHz.
-12dB min., 60M - 80MHz.
-10dB min., 80M - 100MHz.
- CROSSTALK: -35dB min., 300k - 100MHz.
- CMRR: -42dB min., 300k - 32MHz.
-33dB min., 32M - 100MHz.
- OPERATING TEMPERATURE RANGE: 0°C to +70°C.
- COMPLANARITY: All 24 terminals must lie on a plane within .004 [10] of Surface A after lead tinning.

REV.	DATE		
00	11/07	Designed to handle 350mADC and meet 802.3af.	
Packaging Specifications		Unless otherwise specified: Tolerances: ±1/64 Angles: ±1° Fractions: ±1/64 Decimals: ±.005[.127]	DRAWING TITLE TRANSFORMER Gigabit & PoE
Method:		This drawing is dual dimensioned. Dimensions in brackets are in millimeters.	www.midcom-inc.com
www.midcom-inc.com			ReVISIONS: SEE SHEET 1
			DRAWING NO. 749023016
			SCALE: ---
			SHEET 2 OF 8