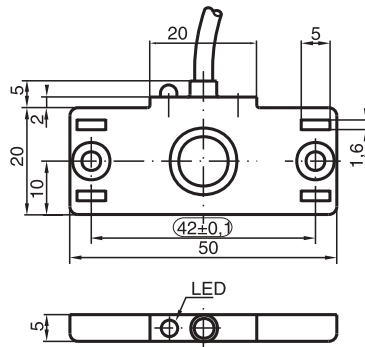


Flat housing

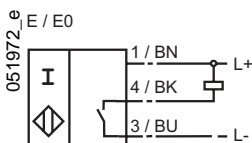
5 mm not embeddable

mounting slots for cable ties



Switching element function	NPN	Make function
Installation	not embeddable	
Rated operating distance s_n	5 mm	
Assured operating distance s_a	0 ... 3.5 mm	
Operating voltage U_B	10 ... 30 V	
Operating current I_L	0 ... 100 mA	
Switching frequency f	0 ... 10 Hz	
No-load supply current I_0	≤ 15 mA	
Off-state current I_r	≤ 0.5 mA	
Voltage drop U_d	≤ 2 V	
Short circuit protection	pulsing	
Polarity reversal protected	yes	
Indication of the switching state	LED, yellow	
Ambient temperature	-25 ... 70 °C (248 ... 343 K)	
EMC in accordance with	EN 60947-5-2	
Protection degree	IP67	
Connection type	2 m, PVC-cable	
Core cross-section	0.14 mm ²	
Housing material	PBT	
Sensing face	PBT	
Standard conformity	EN 60947-5-2	

Connection



06.11.2001