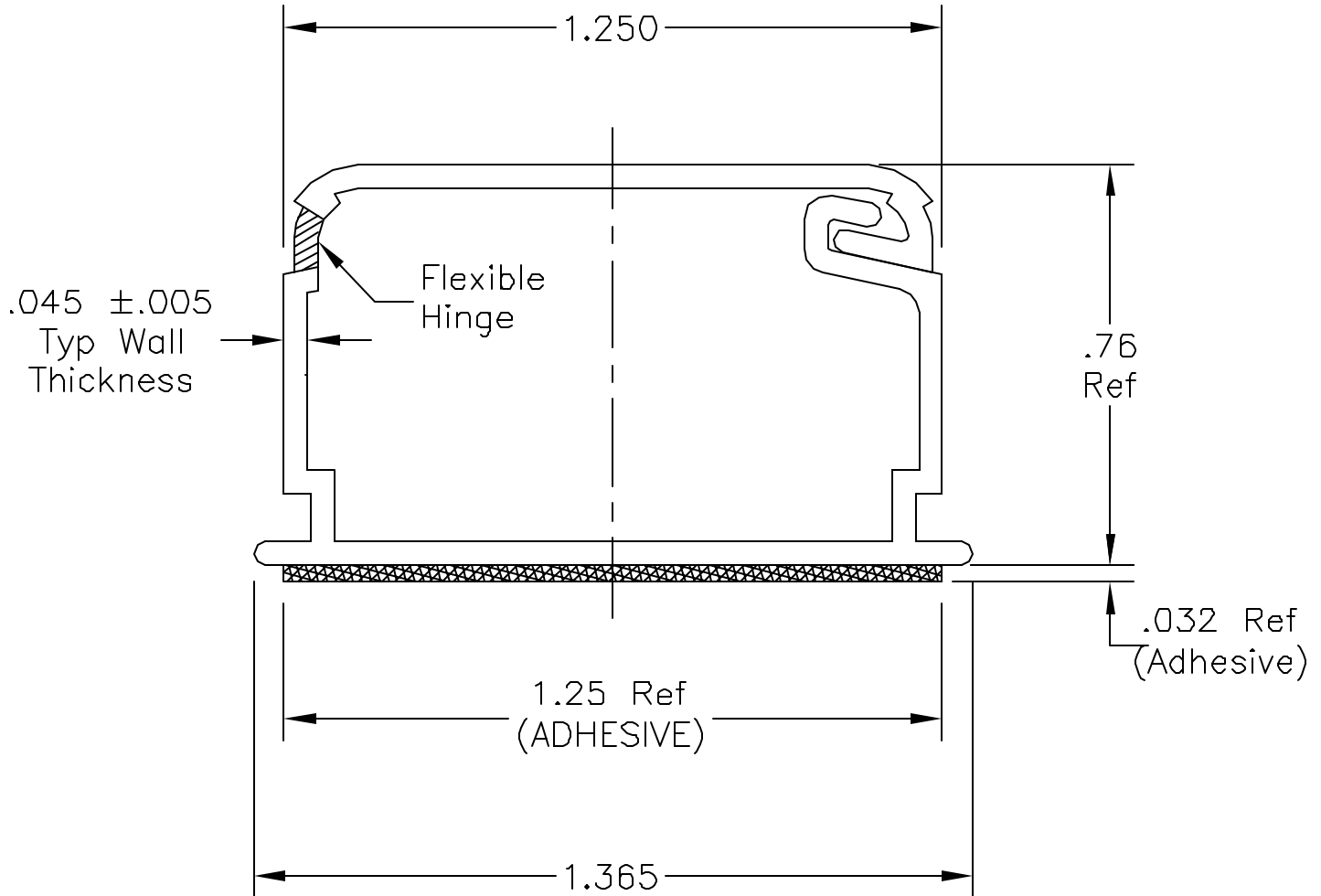


ALL RIGHTS RESERVED. NO PORTION OF THIS PUBLICATION, WHETHER IN WHOLE OR IN PART CAN BE REPRODUCED WITHOUT THE EXPRESS WRITTEN CONSENT OF SPC TECHNOLOGY.

REVISIONS			DOC. NO. SPC-F004 * Effective: 12/21/98 * DCP No: 680					
DCP #	REV	DESCRIPTION	DRAWN	DATE	CHECKD	DATE	APPRVD	DATE
808	A	RELEASED	JWM	1/7/00	JC	2/16/00	DJC	2/28/00



- NOTES:**
1. Length: 72.00 ± .125
  2. Material: PVC
  3. Color: Ivory
  4. Rated: UL94V-0

SPC-F004.DWG

**DISCLAIMER:**  
 ALL STATEMENTS AND TECHNICAL INFORMATION CONTAINED HEREIN ARE BASED UPON INFORMATION AND/OR TESTS WE BELIEVE TO BE ACCURATE AND RELIABLE. SINCE CONDITIONS OF USE ARE BEYOND OUR CONTROL, THE USER SHALL DETERMINE THE SUITABILITY OF THE PRODUCT FOR THE INTENDED USE AND ASSUME ALL RISK AND LIABILITY WHATSOEVER IN CONNECTION THEREWITH.



**SPC TECHNOLOGY**

Tolerances Unless Otherwise Specified .X ± .03 .XX ± .01 .XXX ± .015	DRAWN BY: Jeff McVicker	DATE: 1/7/00	DRAWING TITLE: 1 1/4" Surface Raceway			
	CHECKED BY: JOHN COLE	DATE: 2/16/00	SIZE <b>A</b>	DWG. NO. <b>8443-0486</b>	ELECTRONIC FILE <b>16N2418.dwg</b>	REV <b>A</b>
	APPROVED BY: Daniel Carey	DATE: 2/28/00	SCALE: NTS		U.O.M.: INCHES [mm]	SHEET: 1 OF 1
	(Empty row for additional notes or signatures)					