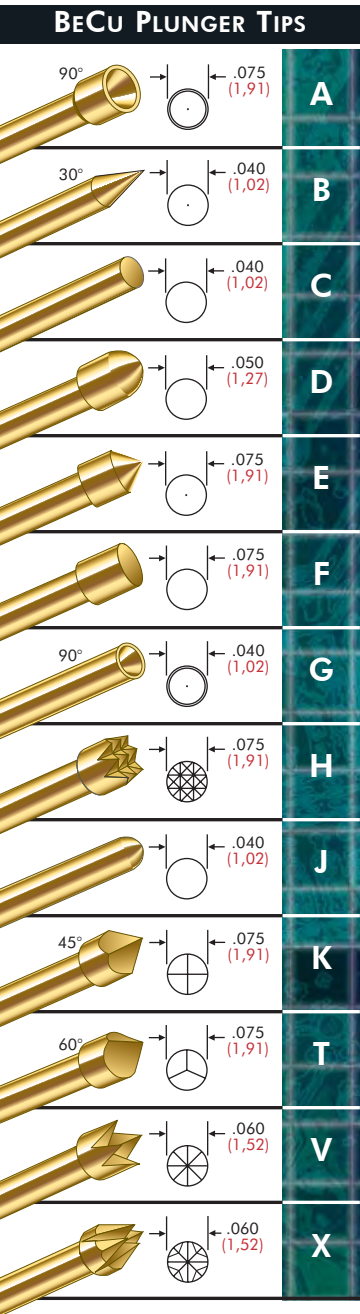


Series S SIZE 2 .100 CENTERS



PROBE SPECIFICATIONS

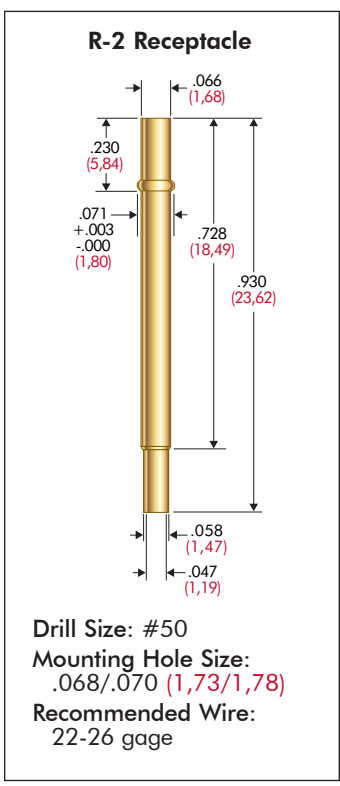
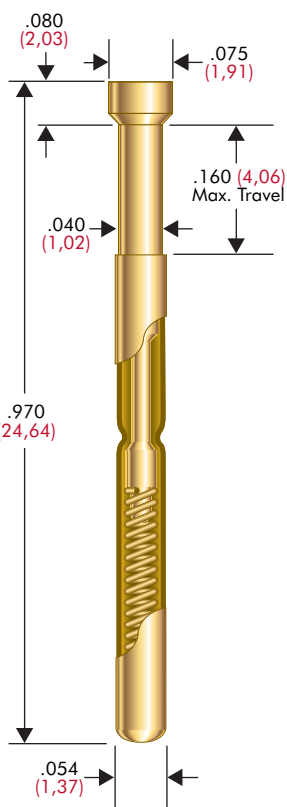
Minimum Centers: .100 (2,54)
Current Rating: 3 amps continuous
Spring Force: 4.0, 7.0, 8.3 or 10.0 oz. @ .100 (2,54) travel
Typical Resistance:
 Economy: <60 mΩ
 Standard: <35 mΩ
Working Travel: .100 (2,54)

Rated Force oz (gms)	Preload oz (gms)	Material
4.0 (113)	1.6 (45)	BeCu
7.0 (198)	2.9 (82)	SS
8.3 (235)	3.3 (93)	MW
10.0 (283)	3.9 (110)	MW

MATERIALS

Barrel: Economy: Nickel/silver
 Standard: Nickel/silver, gold plated
Spring: Beryllium copper, precious metal plated, music wire, gold plated, or stainless steel, gold plated
Plunger: Full-hard beryllium copper, gold plated over nickel or optional Duralloy™
Receptacle:
 High Performance Series (R): Nickel/silver, gold plated; gold plated post
 Standard Series (RS): Nickel/silver, gold plated post

S-2 PROBE



Drill Size: #50
Mounting Hole Size: .068/.070 (1,73/1,78)
Recommended Wire: 22-26 gage

RECEPTACLE OPTIONS

Part Number	Style	Receptacle Length	Probe/Receptacle Combined Length	Comments
R-2-CR	Crimp	0.930 (23,62)	1.170 (29,72)	—
R-2-SC	Solder Cup	0.930 (23,62)	1.170 (29,72)	—
R-2-RP	Round Post	1.305 (31,15)	1.545 (39,24)	.375 post length - .025 dia.
R-2-WW-429	Wire Wrap	1.359 (34,52)	1.599 (40,61)	.429 post length - .025 sq.

HOW TO ORDER: SPRING CONTACT PROBE RECEPTACLE

S	2	A	4	G	R	2	WW	429
SERIES	SIZE	TIP STYLE	SPRING FORCE	PLATING OPTIONS	SERIES	SIZE	TERMINATION	POST LENGTH
SERIES: S: Gold Plated Barrel SX: Improved Pointing Accuracy, Gold Plated Barrel SE: Nickel/Silver Barrel	SPRING FORCE: 4.0 oz. @ .100 (2,54) travel 7.0 oz. @ .100 (2,54) travel 8.3 oz. @ .100 (2,54) travel 10.0 oz. @ .100 (2,54) travel	PLATING OPTIONS: G: Gold Plated Plunger D: Duralloy™ Plated Plunger	SERIES: R: High Performance Series RS: Standard Series POST LENGTH: WW: 429	TERMINATIONS: CR: Crimp SC: Solder Cup RP: Round Post WW: Wire Wrap				

View updates of this information at www.idinet.com

Specifications subject to change without notice. Dimensions in inches (millimeters)