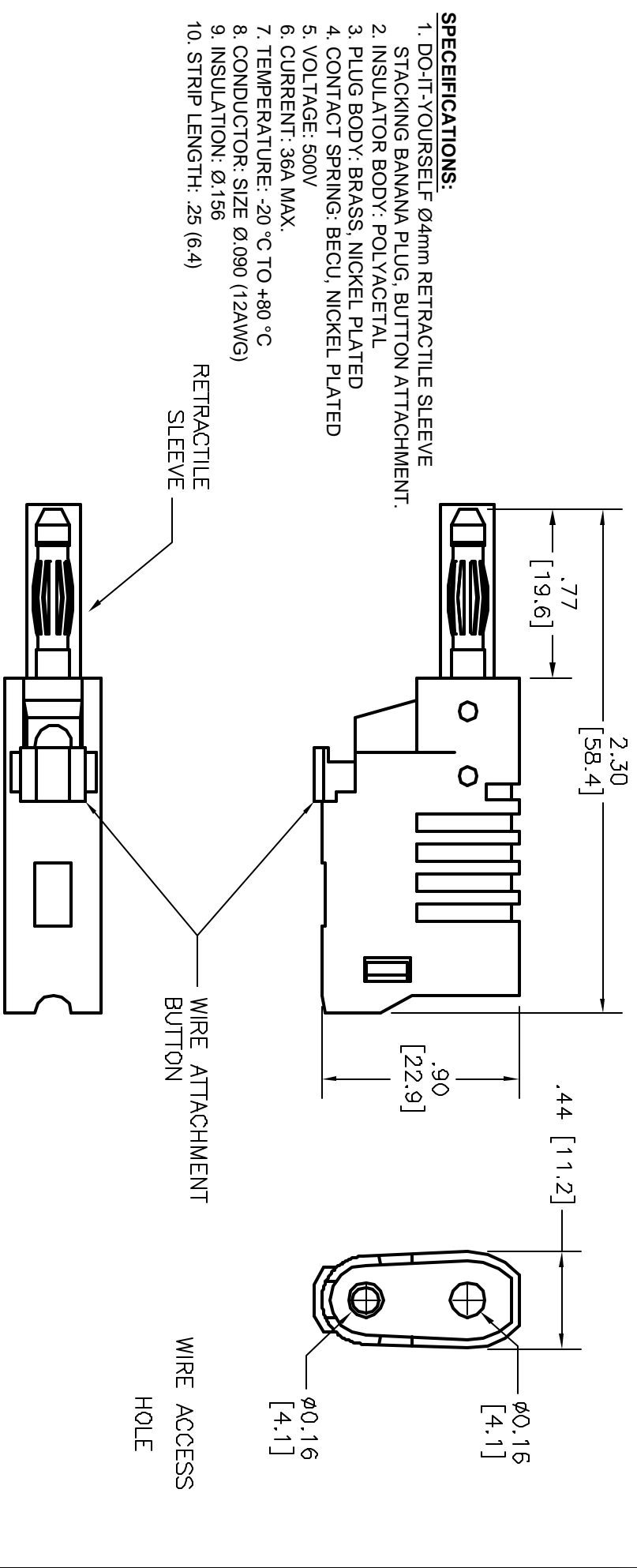


ALL RIGHTS RESERVED. NO PORTION OF THIS PUBLICATION, WHETHER IN WHOLE OR IN PART CAN BE REPRODUCED WITHOUT THE EXPRESS WRITTEN CONSENT OF SPC TECHNOLOGY.

REVISIONS		DOC. NO.	SPC-F005	Effective:	12/21/98	Doc No.	880
DCP #	REV	DESCRIPTION	DRAWN	DATE	CHECKD	DATE	APPRVD
170	A	RELEASED	SAS	07/21/99	JC	2/2/00	DJC



- SPECIFICATIONS:**
1. DO-IT-YOURSELF $\phi 4$ mm RETRACTILE SLEEVE
 2. STACKING BANANA PLUG, BUTTON ATTACHMENT.
 3. INSULATOR BODY: POLYACETAL
 4. PLUG BODY: BRASS, NICKEL PLATED
 5. CONTACT SPRING: BECU, NICKEL PLATED
 6. VOLTAGE: 500V
 7. CURRENT: 36A MAX.
 8. TEMPERATURE: -20 °C TO +80 °C
 9. CONDUCTOR: SIZE $\phi .090$ (12AWG)
 10. INSULATION: $\phi .156$
 10. STRIP LENGTH: .25 (6.4)

DISCLAIMER
 ALL STATEMENTS AND TECHNICAL INFORMATION CONTAINED HEREIN ARE BASED UPON INFORMATION AND/OR TESTS WE BELIEVE TO BE ACCURATE AND RELIABLE. SINCE CONDITIONS OF USE ARE BEYOND OUR CONTROL, THE USER SHALL DETERMINE THE SUITABILITY OF THE PRODUCT FOR THE INTENDED USE AND ASSUME ALL RISK AND LIABILITY WHATSOEVER IN CONNECTION THEREWITH.

SPC TECHNOLOGY

DRAWN BY:	DATE:	DRAWING TITLE:	SIZE	DWG. NO.	ELECTRONIC FILE	REV
SCOTT SERRITELLA	07/21/99	RETRACTILE PLUG, BUTTON ATTACHMENT, BLACK	A	2277	92N4639.DWG	A
CHECKED BY:	DATE:	SCALE:	NTS	U.O.M.: INCHES [mm]	SHEET:	1 OF 1
JOHN COLE	2/2/00					
APPROVED BY:	DATE:					
DANIEL CAREY	4/5/00					

Tolerances Unless Otherwise Specified
 Fractions $\pm 1/32$
 Decimals
 .XX $\pm .01$
 .XXX $\pm .005$