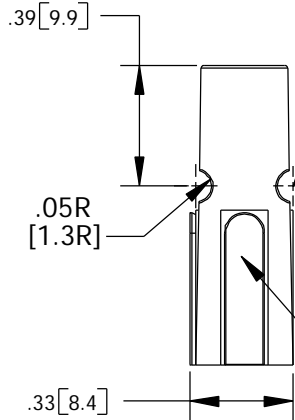


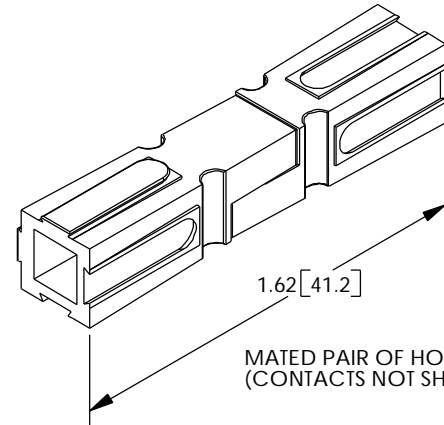
THE INFORMATION CONTAINED IN THIS DRAWING IS THE SOLE PROPERTY OF ANDERSON POWER PRODUCTS. ANY REPRODUCTION IN PART OR WHOLE WITHOUT THE WRITTEN PERMISSION OF ANDERSON POWER PRODUCTS IS PROHIBITED.

DATE	BY:
7/23/98	CGC
DESCRIPTION OF CHANGES	
REV. 3	REDRAWN TO CAD/UPDATED (CRN 13058)

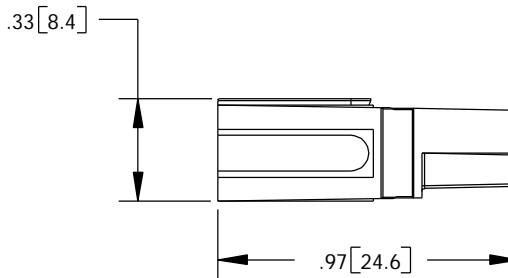
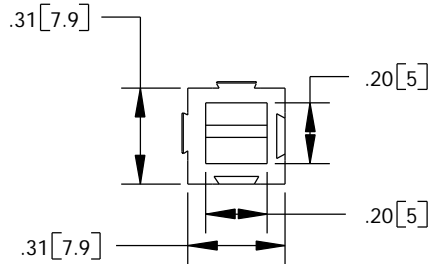


WHEN MATED SIDE TO SIDE, HALF-ROUNDS ALIGN TO FORM A SLOT FOR ROLL PIN INSERTION, WHICH PROTECTS AGAINST ACCIDENTAL DISLODGING OF MATED HOUSINGS.

DOVETAILS ALLOW STACKING IN VERTICAL, HORIZONTAL, OR IN BLOCK CONFIGURATIONS.



MATED PAIR OF HOUSINGS (CONTACTS NOT SHOWN)



CAT. NO.	COLOR
1327	RED
1327G5	GREEN
1327G6	BLACK
1327G7	WHITE
1327G8	BLUE
1327G16	YELLOW
1327G17	ORANGE
1327G18	GRAY
1327G21	BROWN
1327G22	PINK
1327G23	PURPLE

NOTES:

1. SPRING/HOUSING ASSEMBLIES ARE UL RECOGNIZED PER FILE E26226, CSA CERTIFIED PER LR25154, AND VDE CERTIFIED PER REGISTRY NO. 6302 UG.
2. THESE HOUSING ASSEMBLIES ACCOMMODATE ANDERSON CONTACTS FOR WIRE RANGES FROM #20 AWG TO #10 AWG.
3. FOR ASSEMBLY INSTRUCTIONS, SEE DOCUMENT 1S1072.
4. HOUSINGS: POLYCARBONATE, UL94V0.
SPRING: STAINLESS STEEL.
FOR OTHER COLORS, CONSULT ANDERSON POWER PRODUCTS.

ITEM NO.	PART OR IDENTIFYING NO.	NOMENCLATURE OR DESCRIPTION	MATERIAL SPECIFICATION	QTY RECD
PARTS LIST				
DIMENSIONS ARE IN INCHES DIMENSIONS IN PARENTHESES [] ARE IN MILLIMETERS		CAD GENERATED DRAWING. DO NOT MANUALLY UPDATE		ANDERSON POWER PRODUCTS 1327-SERIES "POWERPOLE 15/45" HOUSING/SPRING ASSEMBLY FOR 15 TO 45 AMP APPLICATIONS
TOLERANCES ARE: 2 PLC. DECIMALS +/- .02 [+/- .5]		APPROVALS	DATE	
MATERIALS: SEE NOTE 4.		DRAWN R.D.I.	9-3-68	
NEXT ASSY		CHECKED E.D.W.	9-9-68	
USED ON		RESP ENG		SIZE A
APPLICATION		MFG ENG		
FINISH AS MOLDED		QUAL ENG		DWG. NO. 1-9597S1
DO NOT SCALE DRAWING				REV. 3
		SCALE	CAD FILE: 00831	SHEET 1 OF 1