

ALL RIGHTS RESERVED. NO PORTION OF THIS PUBLICATION, WHETHER IN WHOLE OR IN PART CAN BE REPRODUCED WITHOUT THE EXPRESS WRITTEN CONSENT OF SPC TECHNOLOGY.

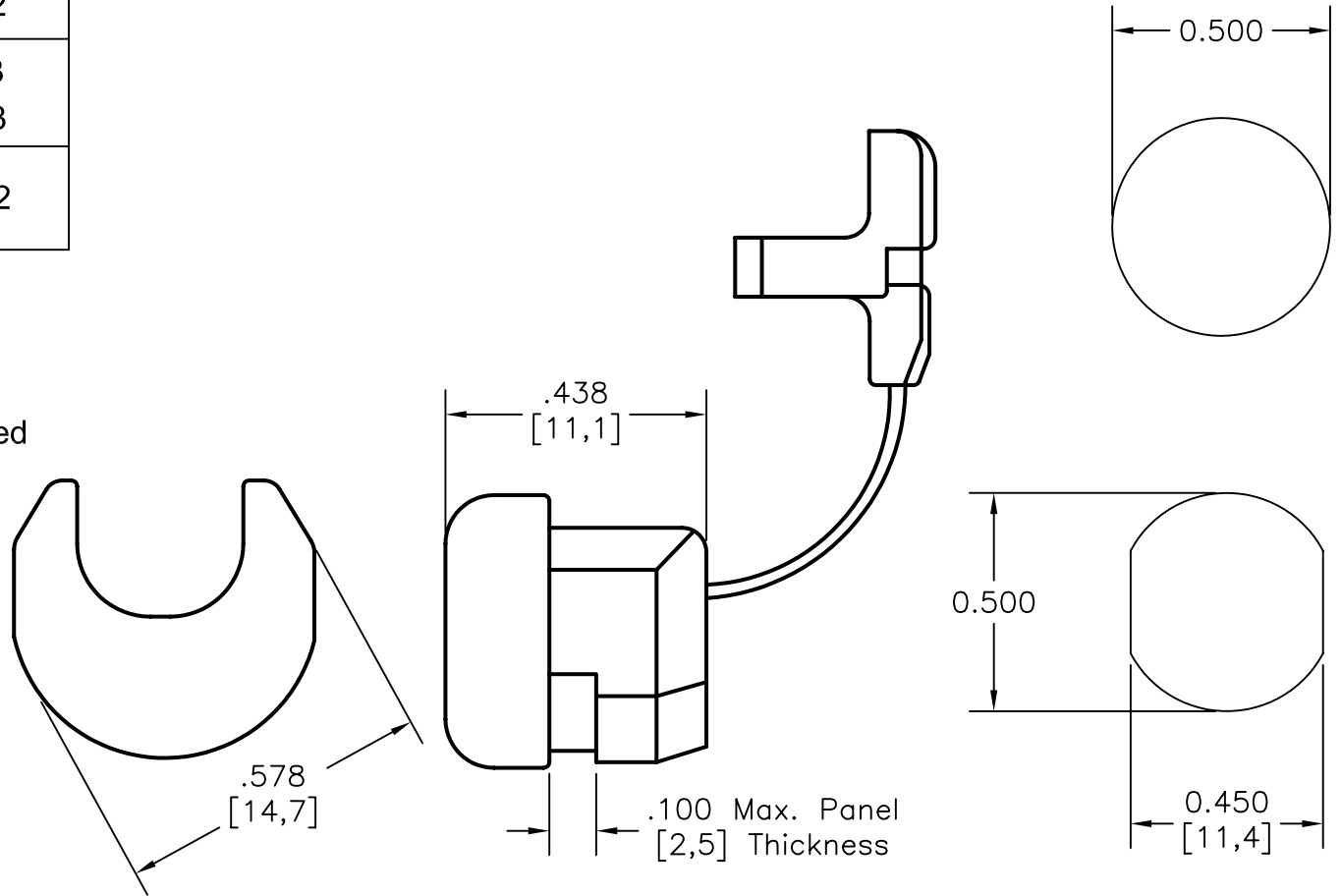
CABLE SIZE	CABLE TYPE	GAUGE (AWG)
0.250(6,4)	SV SVT	18/2 18/2
0.255(6,5)	SV SVT	18/3 18/3
0.290(7,4)	HPD	16/2

REVISIONS			DOC. NO. SPC-F005 * Effective: 12/21/98 * DCP No: 680					
DCP #	REV	DESCRIPTION	DRAWN	DATE	CHECKD	DATE	APPRVD	DATE
182	B	REDRAWN & UPDATED	HYO	11/8/99	JC	12/11/00	JC	12/11/00
1779	C	ROHS ADDED	DCM	1/24/06	JWM	1/24/06	JWM	1/24/06



NOTES:

1. UL recognized and CSA approved
2. Color: Black
3. Material: Nylon type 6 heat stabilized
4. Flammability Rating: UL94V-2
5. Temperature Rating: Up to 105 °C



DISCLAIMER:
ALL STATEMENTS AND TECHNICAL INFORMATION CONTAINED HEREIN ARE BASED UPON INFORMATION AND/OR TESTS WE BELIEVE TO BE ACCURATE AND RELIABLE. SINCE CONDITIONS OF USE ARE BEYOND OUR CONTROL, THE USER SHALL DETERMINE THE SUITABILITY OF THE PRODUCT FOR THE INTENDED USE AND ASSUME ALL RISK AND LIABILITY WHATSOEVER IN CONNECTION THEREWITH.



Tolerances Unless Otherwise Specified Decimal .XXX ± 0.005	DRAWN BY:	DATE:	DRAWING TITLE:		
	J.C	2/18/91	Strain Relief Bushing		
	CHECKED BY:	DATE:	SIZE	DWG. NO.	ELECTRONIC FILE
	APPROVED BY:	DATE:	A	SRR-10	46N7808.dwg
			SCALE: NTS	U.O.M.: INCHES [mm]	REV SHEET: 1 OF 1