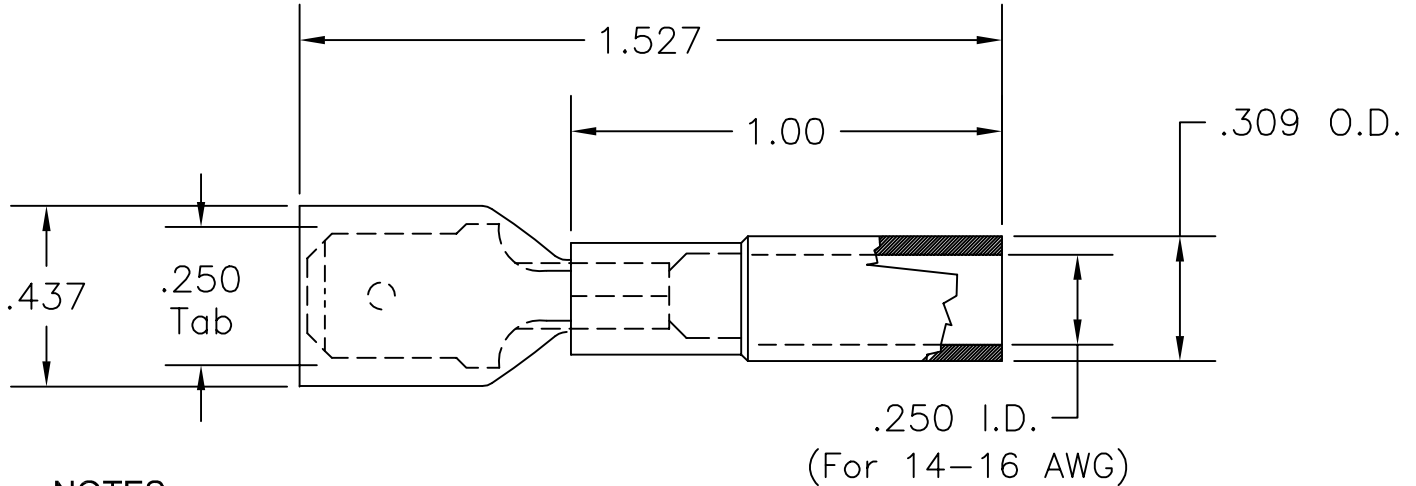


REVISIONS			DOC. NO. SPC-F004 * Effective: 7/8/02 * DCP No: 1398						
DCP #	REV	DESCRIPTION	DRAWN	DATE	CHECKD	DATE	APPRVD	DATE	
1397	A	RELEASED	JWM	9/3/03	HO	9/11/03	DJC	9/11/03	



**NOTES:**

**Bare Part:**

1. Material: Nylon insulated copper
2. Finish: Electro-Tin Plate
3. Butted Seam

**Tubing:**

1. Multiple wall polyolefin
2. Meltable, integral inner wall
3. 275° F (135°C) Shrink temperature
4. -67°F (-55°C) to 230°F (110°C) Cont. Operating Temperature
5. Tensile strength: 2200 PSI
6. Ultimate elongation: 500%
7. Secant modulus, 2%: 27,000 PSI
8. Specific Gravity: 1.00 Max
9. Longitudinal Change: 5%
10. Dielectric Strength: 1000 V/Mil
11. Volume Resistivity: 10<sup>15</sup> Ohm-cm
12. Non-corrosive
13. Water absorption: <0.1%
14. Tubing Color: Blue

SPC-F004.DWG

TOLERANCES: UNLESS OTHERWISE SPECIFIED, DIMENSIONS ARE FOR REFERENCE PURPOSES ONLY.	DRAWN BY:	DATE:	DRAWING TITLE:			
	Jeff McVicker	9/3/03	Terminal, Quick Disconnect, Male, Fully Insulated			
	CHECKED BY:	DATE:	SIZE	DWG. NO.	ELECTRONIC FILE	REV
	Hisham Odish	9/11/03	A	3956	84N974.dwg	A
APPROVED BY:	DATE:	SCALE:		U.O.M.: INCHES [mm]		SHEET: 1 OF 1
Daniel Carey	9/11/03	NTS		INCHES [mm]		1 OF 1