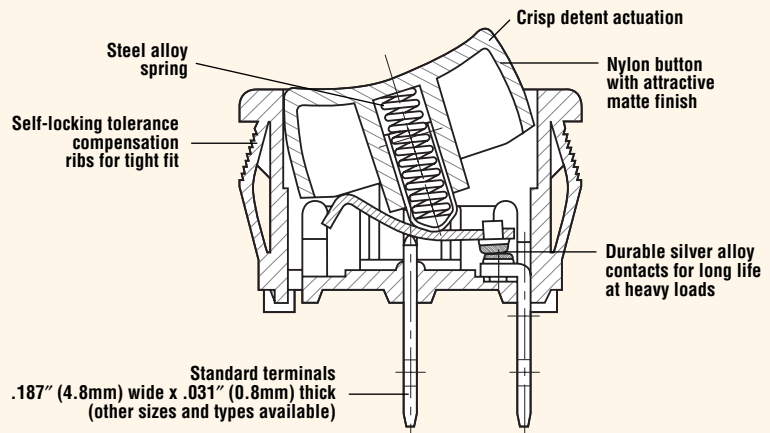


MINIATURE ROCKER SWITCH

SR Series

Features

- 10 or 20 amp switching in a miniature package
- Single-throw and double-throw options
- Choice of actuator and housing color
- Variety of terminals available
- Industry-standard mounting dimensions
- Mechanical life: min. 100,000 operations



Electrical Ratings

Switch Series	EN61058 Rating	UL1054 Rating	Electrical Life at Rated Load	
			According to VDE (Min. Operations)	According to UL (Min. Operations)
SR	10(4)A, 250V~, μ T85	10A, 125VAC; 6A, 250VAC	10,000	6,000

Specifications

Electrical

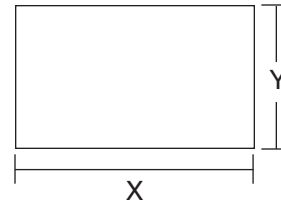
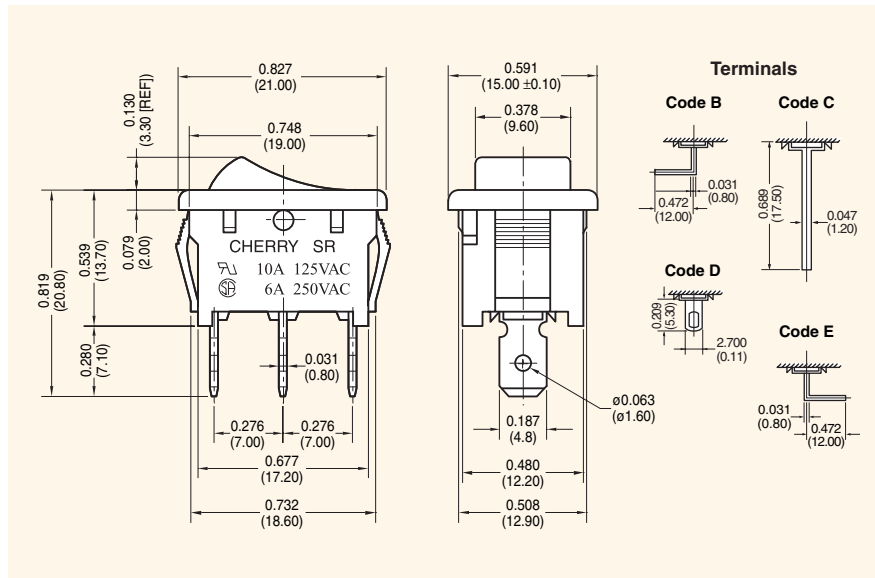
Dielectric Strength:	1000VAC for 1 minute
Insulation Resistance:	10 ⁹ ohms min at 500VDC
Initial Contact Resistance:	0.020 ohms max
Temperature Range:	-20°C to +65°C

Materials

Actuator:	Nylon 66 94V-2
Case:	Nylon 66 94V-2
Spring:	Steel Wire
Contacts:	Silver or Copper Alloy
Movable Arm:	Silver-Plated Copper Alloy
Terminals:	Tin-Plated Copper Alloy



Dimensions inches (mm)



Z = Panel Thickness

Recommended Panel Cut-Out Dimensions

Dim. Z	Dim. X	Dim. Y
0.030 to 0.049 (0.75 to 1.25)	0.752 (19.10)	0.508 (12.90)
0.049 to 0.079 (1.25 to 2.00)	0.760 (19.30)	0.508 (12.90)
0.079 to 0.118 (2.00 to 3.00)	0.775 (19.76)	0.508 (12.90)

Examples of Common Part Numbers and Descriptions inches (mm)

Part Number	Circuitry	Switch Function	Terminal Type	Actuator/ Housing Color	Legend Marking
SRB22A2FBBNN		On – Off	0.187 (4.8) Quick-Connect	Black/Black	
SRB22A2BBBNN		On – Off	0.187 (4.8) Quick-Connect	Black/Black	
SRB22A2DBBNN		On – Off	0.187 (4.8) Quick-Connect	Black/Black	
SRB23A2BBBNN		On – On	0.187 (4.8) Quick-Connect	Black/Black	
SRB24A2HBBNN		On – Off – On	0.187 (4.8) Quick-Connect	Black/Black	

Boot #0015-0644

Ordering Information

SR Series	B Code 2 Circuitry Single-Pole	2 Code 2 Switch Function On – Off	4 Code 3 Switch Function On – On	5 Code 4 Switch Function On – Off – On	5 Code 5 Switch Function (On) – Off	A Code 2 Actuator Type Curve	H Code B Blank	B Code C Actuator Marking O II	D Code D Actuator Marking OFF ON	E Code E Actuator Marking O I	F Code F Actuator Marking O –	G Code G Actuator Marking ·	H Code H Actuator Marking I O II	H Code B Housing Color Black	W Code W Housing Color White	Y Code Y Housing Color Grey	C Code C Housing Color Brown	B Code B Actuator Color Black	R Code R Actuator Color Red	W Code W Actuator Color White	Y Code Y Actuator Color Grey	C Code C Actuator Color Brown	B Code N Lighted Non-Lighted	N Code N Lighted Non-Lighted	S Code N Splashproof No Rocker Boot	S Code S Splashproof Waterproof Boot
---------------------	---	--	---	---	--	---	--------------------------------	---	---	--	--	--	---	---	---	--	---	--	--	--	---	--	---	---	--	---