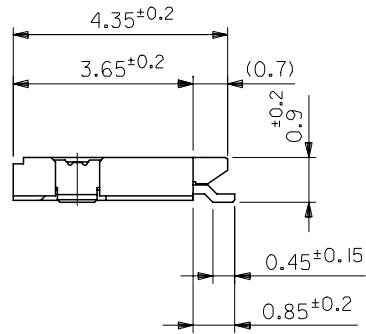
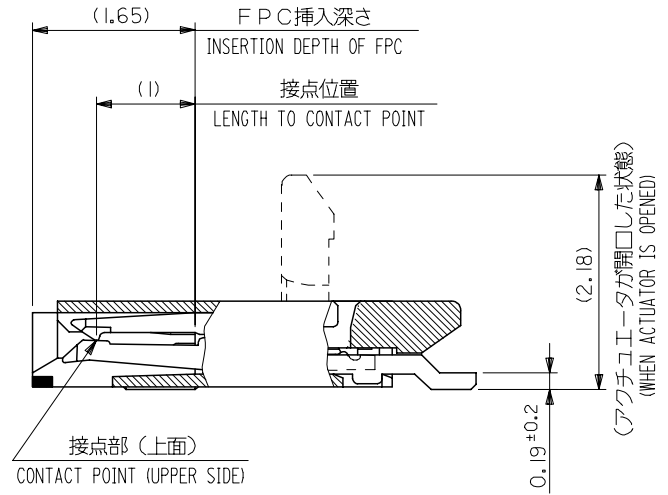
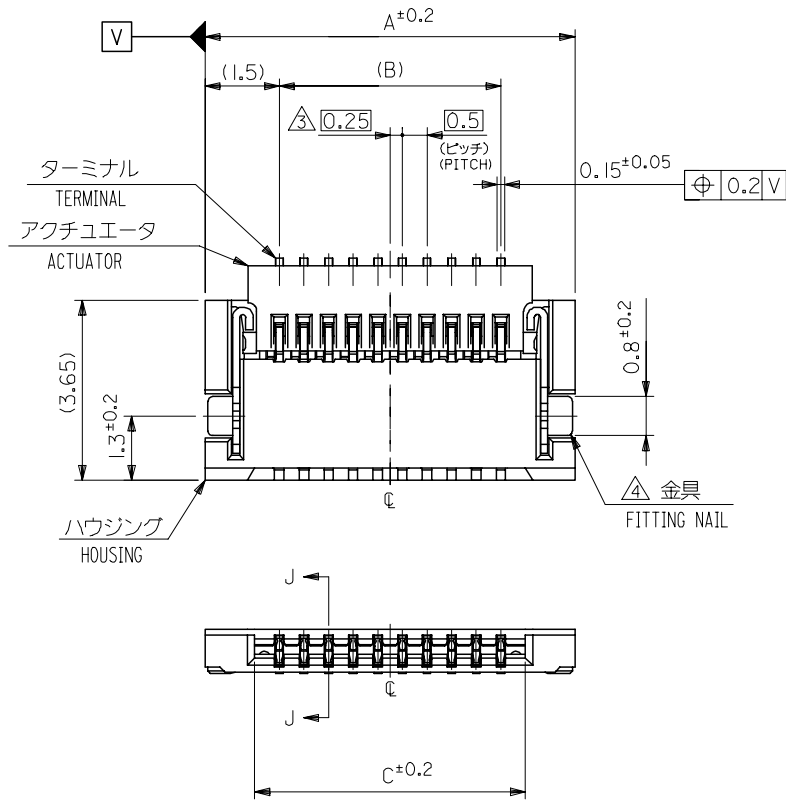


10 9 8 7 6 5 4 3 2 1

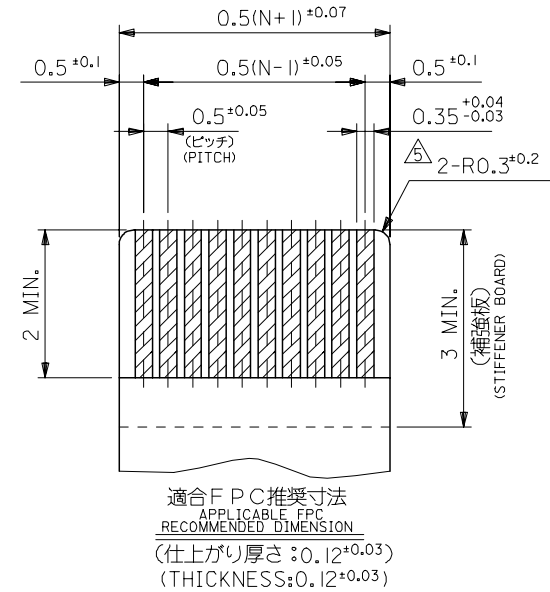
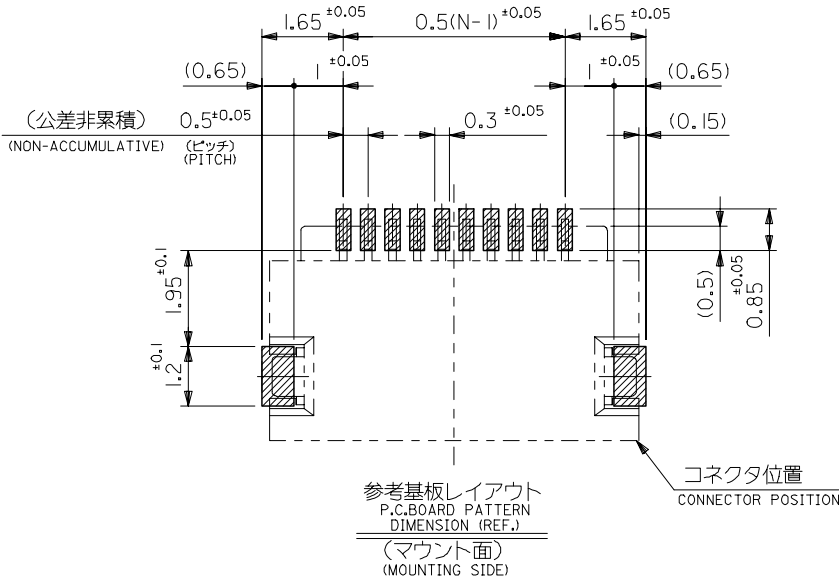
F
E
D
C
B
A



25.5	24.5	27.5	51345-5069	50
23.0	22.0	25.0	51345-4569	45
20.5	19.5	22.5	51345-4069	40
C	(B)	A	製品番号 MATERIAL No.	極数 CIRCUITS

51345-***69 MODEL No.

REVISED EC NO: J2007-0607 DRWNSKATAOKA 2006/09/21 CHKDK:TOYODA 2006/09/21 APPR:NUKITA 2006/09/26	GENERAL TOLERANCES (UNLESS SPECIFIED)		DIMENSION STYLE MM ONLY	SCALE ---	DESIGN UNITS METRIC	THIRD ANGLE PROJECTION
	10 UNDER	± ---	DRAWN BY Y. SAKIYAMA	DATE '04/03/09	TITLE 0.5 FPC CONN E0 HSG ASSY UPR CONT (HGT=0.9MM) -LEAD FREE-	
	10 OVER 30 UNDER	± ---	CHECKED BY M. SASAO	DATE '04/03/09	MOLEX INCORPORATED	
	30 OVER	± ---	APPROVED BY M. SASAO	DATE '04/03/09	MATERIAL NO.	DOCUMENT NO. SD-51345-005
	ANGULAR	± --- °	SEE CHART			
	DRAFT WHERE APPLICABLE MUST REMAIN WITHIN DIMENSIONS		SIZE A3		THIS DRAWING CONTAINS INFORMATION THAT IS PROPRIETARY TO MOLEX INCORPORATED AND SHOULD NOT BE USED WITHOUT WRITTEN PERMISSION	



注記 NOTES

I. 使用材料 MATERIAL

- ハウジング HOUSING : 液晶ボリマー (LCP)、ガラス充填
UL94V-0、色: 自然色 (ベージュ)
LIQUID CRYSTAL POLYMER(LCP)
GLASS FILLED,UL94V-0
COLOR:NATURAL(BEIGE)
- アクチュエータ ACTUATOR : ポリフェニレンサルファイド (PPS)、ガラス充填
UL94V-0、色: 茶色
POLYPHENYLENE SULFIDE(PPS),
GLASS FILLED,UL94V-0,COLOR: BROWN
- ターミナル TERMINAL : 銅合金 (t=0.15)、ニッケル下地
金メッキ (コンタクト部)
金メッキ (テール部)
COPPER ALLOY
GOLD PLATING (CONTACT AREA)
GOLD PLATING (TAIL AREA)
OVER NICKEL PLATING
- 金具 FITTING NAIL : リン青銅、ニッケル下地 錫メッキ (t=0.15)
PHOSPHOR BRONZE, TIN OVER NICKEL PLATING

2. エンボステープ梱包時は、アクチュエータが開いた状態とする。
IN THE PACKAGE,ACTUATOR OF PART NO.51345-***69 SHOULD BE OPENED.
- △ 偶数極に適用。
APPLY FOR EVEN CIRCUIT.
- △ パターンはくり止め用金具
FITTING NAIL FOR PREVENTION OF PEELING OF P.C.B. PATTERN.
- △ R0.3は、FPCの導体部にかからないこと。
R0.3 MUST NOT BE OVERLAPPED TO PATTERN OF FPC.
6. 本製品は 51345-***67 の鉛フリー品である。
THIS PRODUCT IS LEAD FREE OF 51345-***67.

FPCについて :

打抜き方向は導体側から補強板側を推奨致します。
補強フィルム材質はポリイミドを推奨致します。
接着剤は熱硬化接着剤を推奨致します。

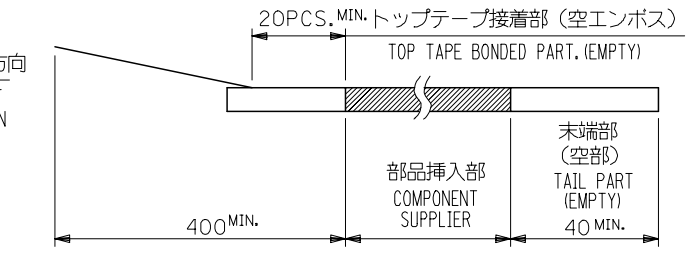
ABOUT FPC:

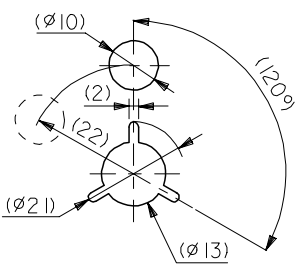
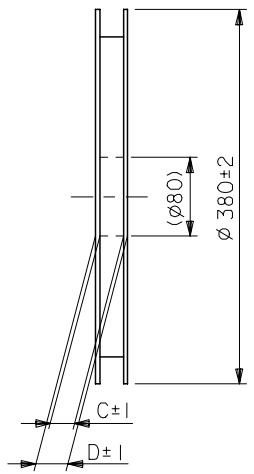
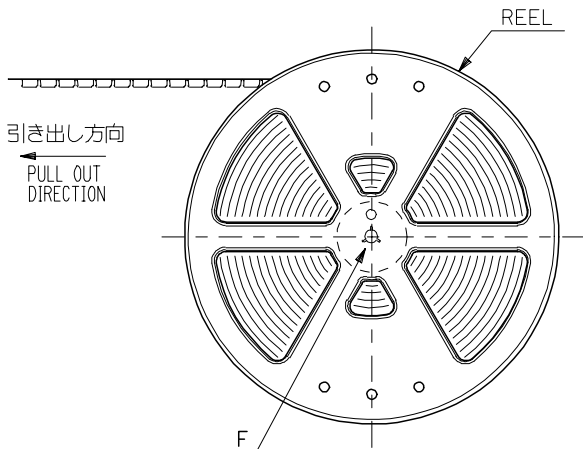
RECOMMENDED PUNCHER DIRECTION : FROM CONDUCTOR SIDE TO STIFFENER BOARD SIDE.
RECOMMENDED MATERIAL:
STIFFENER FILM : POLYIMIDE
BONDING AGENT : THERMOSETTING BONDING AGENT

51345-***69 MODEL No.

REVISED EC NO: J2007-0607 DRW:SKATAKA 2006/09/21 CHK:K:TOYODA 2006/09/21 APPR:NUKITA 2006/09/26	GENERAL TOLERANCES (UNLESS SPECIFIED)		DIMENSION STYLE MM ONLY		SCALE ---	DESIGN UNITS METRIC	THIRD ANGLE PROJECTION
	10 UNDER	± ---	DRAWN BY Y.SAKIYAMA	DATE '04/03/09	TITLE 0.5 FPC CONN E0 HSG ASSY UPR CONT (HGT=0.9MM) -LEAD FREE-		
	10 OVER 30 UNDER	± ---	CHECKED BY M.SASAO	DATE '04/03/09	MOLEX INCORPORATED		
	30 OVER	± ---	APPROVED BY M.SASAO	DATE '04/03/09	MATERIAL NO. SEE CHART	DOCUMENT NO. SD-51345-005	SHEET NO. 2 OF 2
ANGULAR ± --- °		DRAFT WHERE APPLICABLE MUST REMAIN WITHIN DIMENSIONS		THIS DRAWING CONTAINS INFORMATION THAT IS PROPRIETARY TO MOLEX INCORPORATED AND SHOULD NOT BE USED WITHOUT WRITTEN PERMISSION			

NOTES

- 製品詳細寸法については図面 SD-51345-005 を参照下さい。
RE DETAILED DIMENSION, SEE SD-51345-005.
 - 梱包数量：2000個/リール
NUMBER OF CONNECTORS : 2000PCS/REEL
 - リードテープ長さ LEAD TAPE LENGTH
- 
- 材料 (MATERIAL)
キャリアテープ (CARRIER TAPE) : ポリプロピレン (POLYPROPYLENE)
トップテープ (TOP TAPE) : PET, PE, PEF
リール (REEL) : ポリスチレン (P.S) <リサイクル材を含む>
POLYSTYRENE (PS) <RECYCLE MATERIAL CONTAINED>
 - 本製品は51345-***95 の鉛フリー品である。
THIS PRODUCT IS LEAD FREE OF 51345-***95.



DETAIL F

51345-***75 MODEL No.

REVISED EC NO: J2007-0607 DRW:SKATAKA 2006/09/21 CHK:KTOYODA 2006/09/21 APP:NUKITA 2006/09/26	GENERAL TOLERANCES (UNLESS SPECIFIED)		DIMENSION STYLE MM ONLY		SCALE ---	DESIGN UNITS METRIC	THIRD ANGLE PROJECTION	
	10 UNDER	±---	DRAWN BY Y.SAKIYAMA	DATE '04/03/09	TITLE EMBSTP PKG FOR 0.5 FPC CONN E/O (HGT=0.9) -LEAD FREE-			
	10 OVER 30 UNDER	±---	CHECKED BY M.SASAO	DATE '04/03/09				
	30 OVER	±---	APPROVED BY M.SASAO	DATE '04/03/09	MOLEX INCORPORATED			
	ANGULAR	±--- °	MATERIAL NO. SEE CHART					
DRAFT WHERE APPLICABLE MUST REMAIN WITHIN DIMENSIONS		SIZE A3	THIS DRAWING CONTAINS INFORMATION THAT IS PROPRIETARY TO MOLEX INCORPORATED AND SHOULD NOT BE USED WITHOUT WRITTEN PERMISSION					

10 9 8 7 6 5 4 3 2 1

F

E

D

C

B

A

F

E

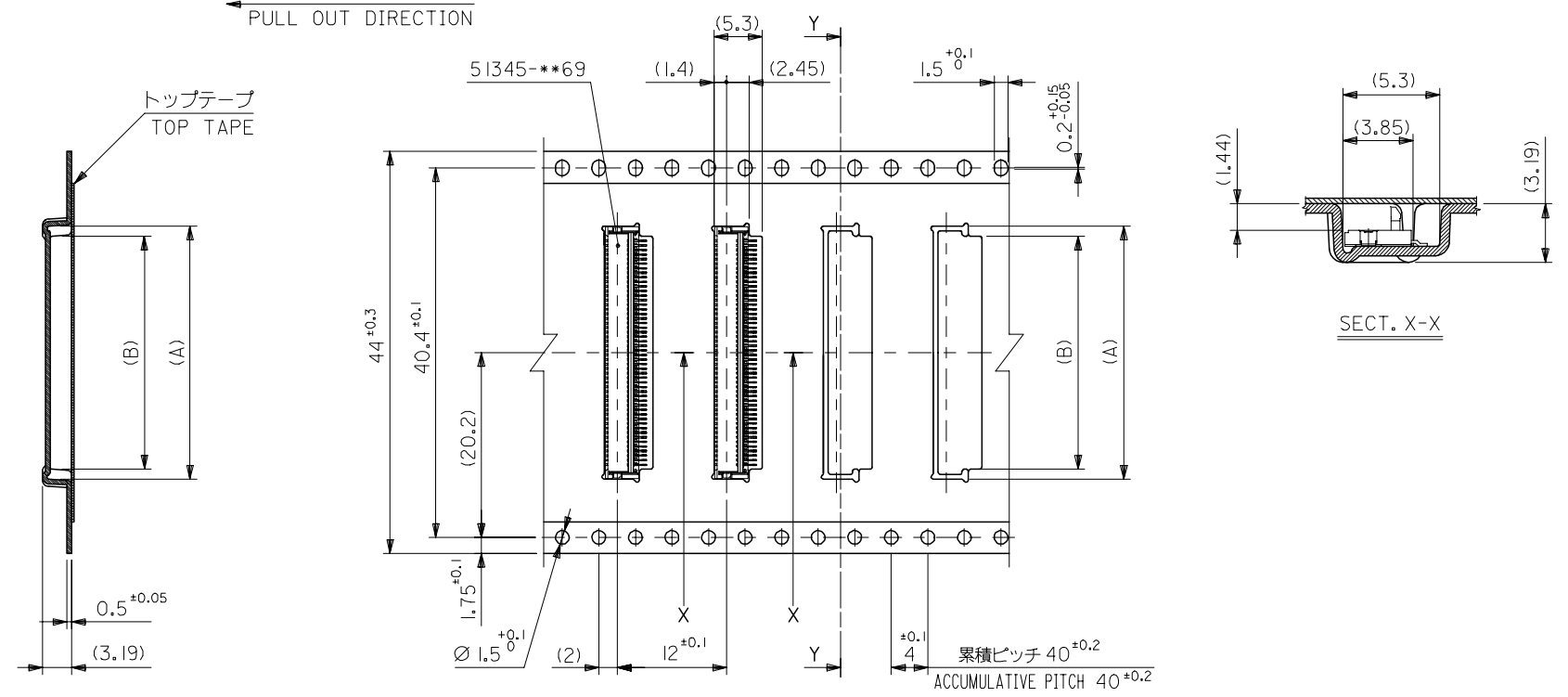
D

C

B

A

引き出し方向
PULL OUT DIRECTION



SECT. Y-Y

44mm幅キャリアテープ
44mm WIDTH CARRIER TAPE

44	49.4	45.4	25.5	27.7	51345-5075	50
44	49.4	45.4	23.0	25.2	51345-4575	45
44	49.4	45.4	20.5	22.7	51345-4075	40
キャリアテープ幅 CARRIER TAPE WIDTH	D	C	(B)	(A)	製品番号 MATERIAL No.	極数 CIRCUITS

REVISED EC No: J2007-0607 DRWNSKATAOKA 2006/09/21 CHKDK:TOYODA 2006/09/21 APPR:NUKITA 2006/09/26	GENERAL TOLERANCES (UNLESS SPECIFIED)		DIMENSION STYLE MM ONLY		SCALE ---	DESIGN UNITS METRIC	THIRD ANGLE PROJECTION
	10 ^{UNDER}	± ---	DRAWN BY Y.SAKIYAMA	DATE '04/03/09	TITLE EMBSTP PKG FOR 0.5 FPC CONN E/O (HGT=0.9) -LEAD FREE-		
	10 ^{OVER} 30 ^{UNDER}	± ---	CHECKED BY M.SASAO	DATE '04/03/09	MOLEX INCORPORATED		
	30 ^{OVER}	± ---	APPROVED BY M.SASAO	DATE '04/03/09	DOCUMENT NO. SD-51345-006		
ANGULAR	± --- °	DRAFT WHERE APPLICABLE MUST REMAIN WITHIN DIMENSIONS		MATERIAL NO. SEE CHART	SHEET No. 2 OF 2		
SIZE A3 THIS DRAWING CONTAINS INFORMATION THAT IS PROPRIETARY TO MOLEX INCORPORATED AND SHOULD NOT BE USED WITHOUT WRITTEN PERMISSION							