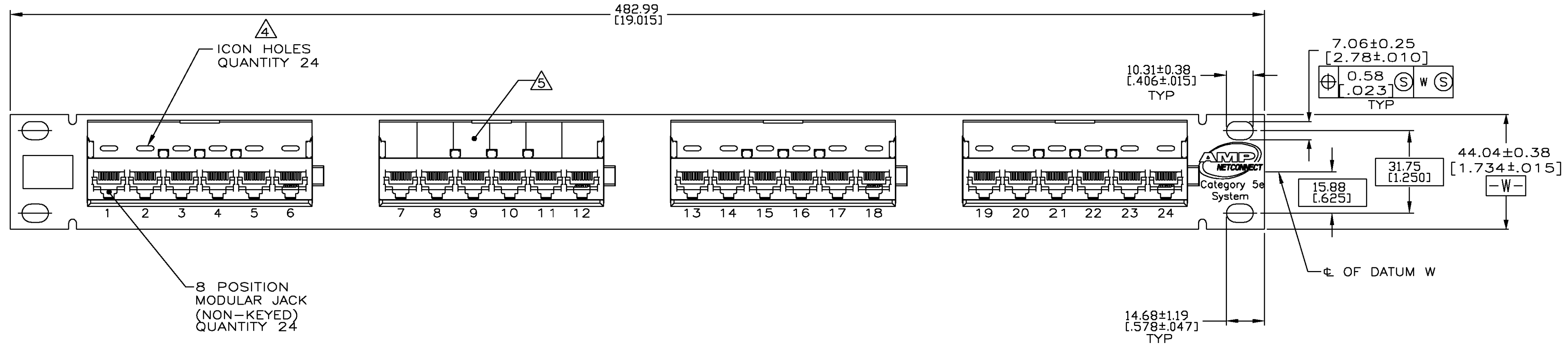
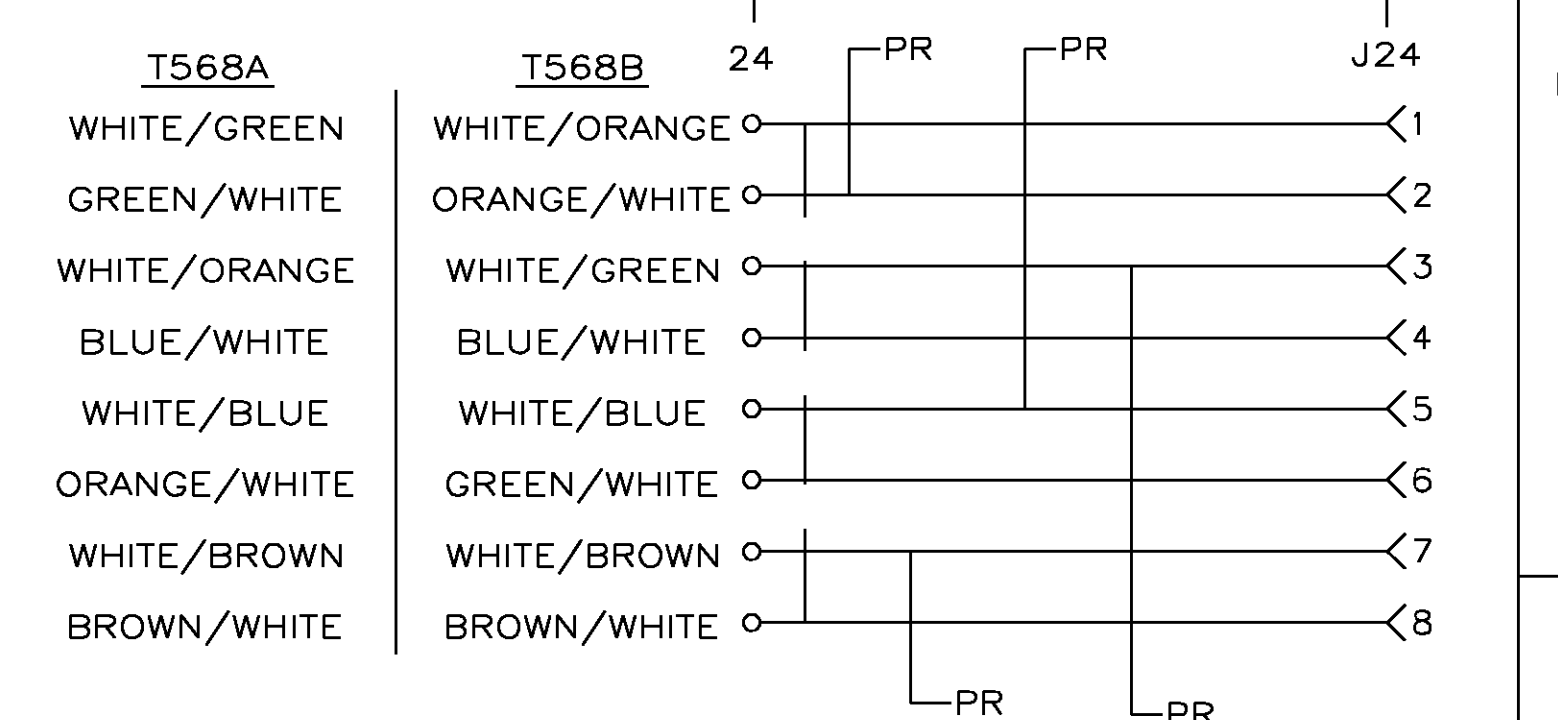
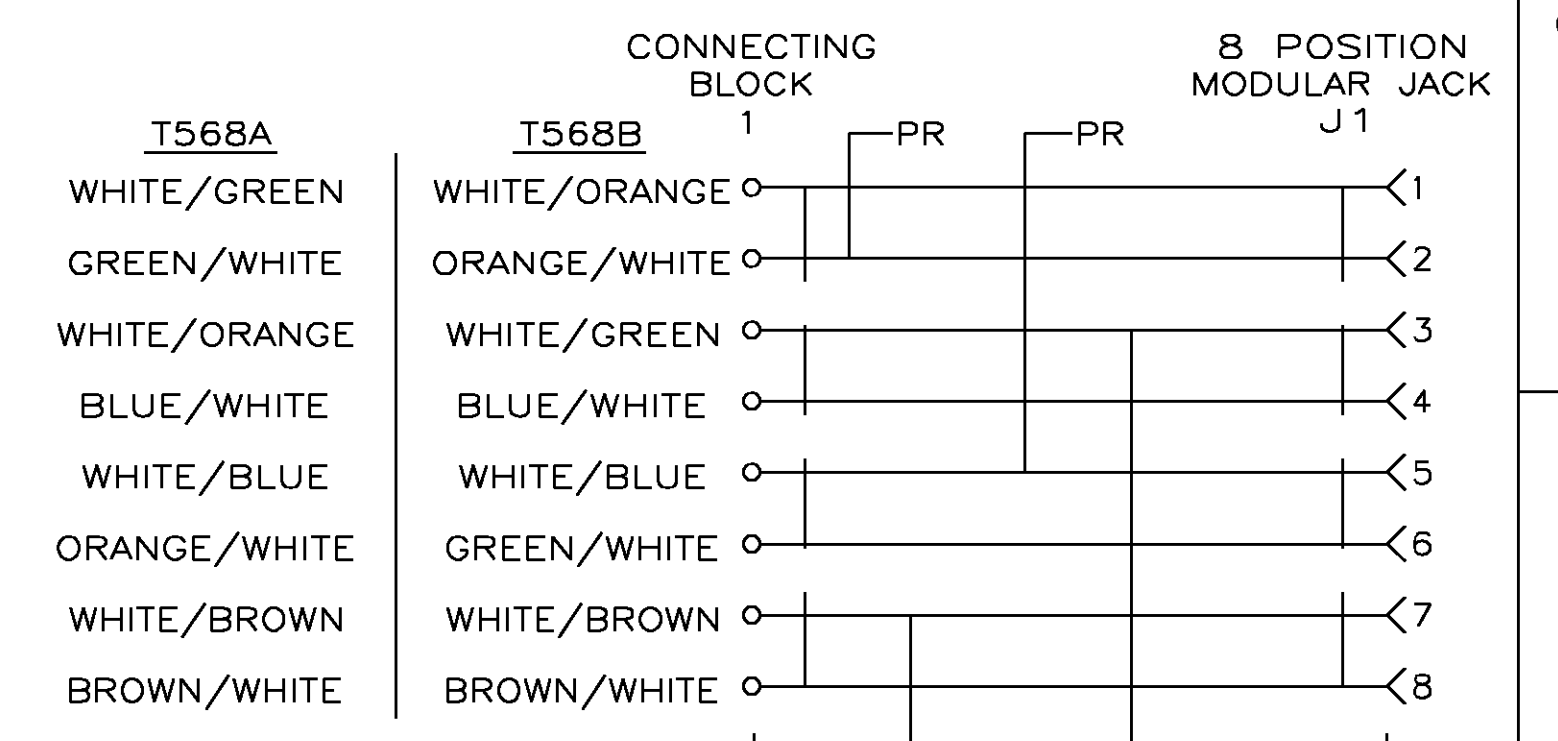
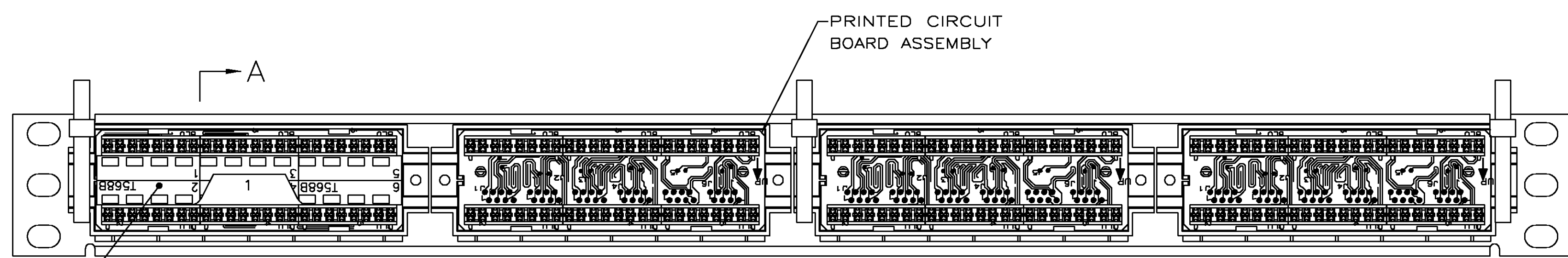
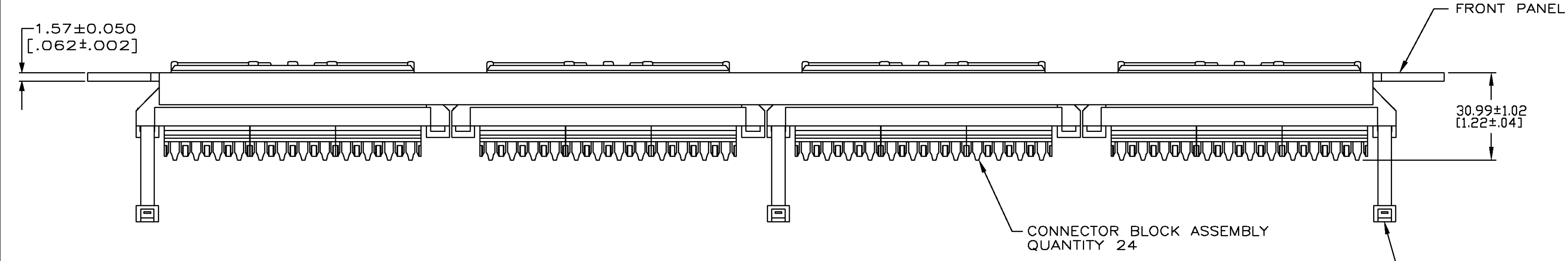


THIS DRAWING IS UNPUBLISHED. RELEASED FOR PUBLICATION BY AMP INCORPORATED. ALL RIGHTS RESERVED. COPYRIGHT 19

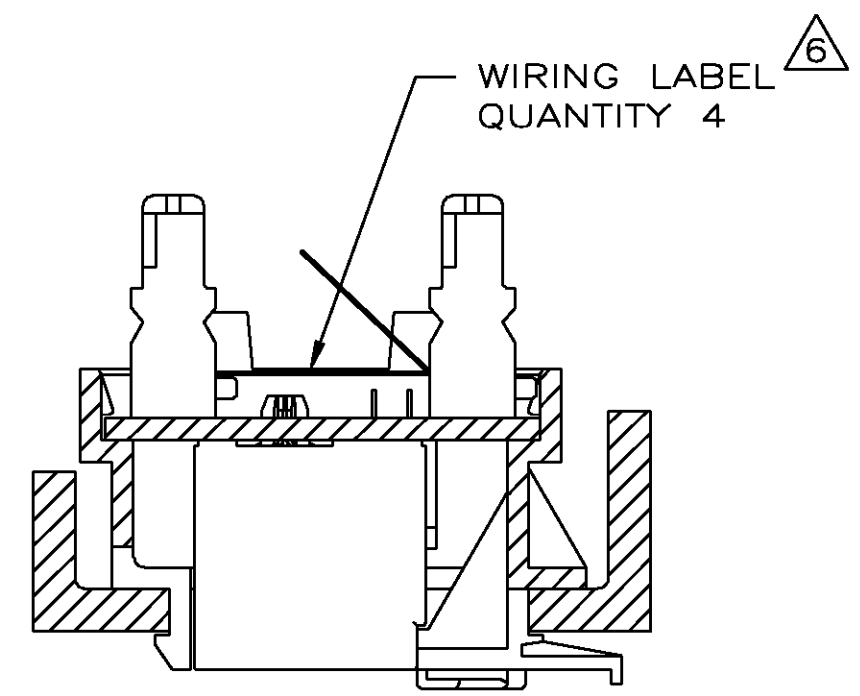
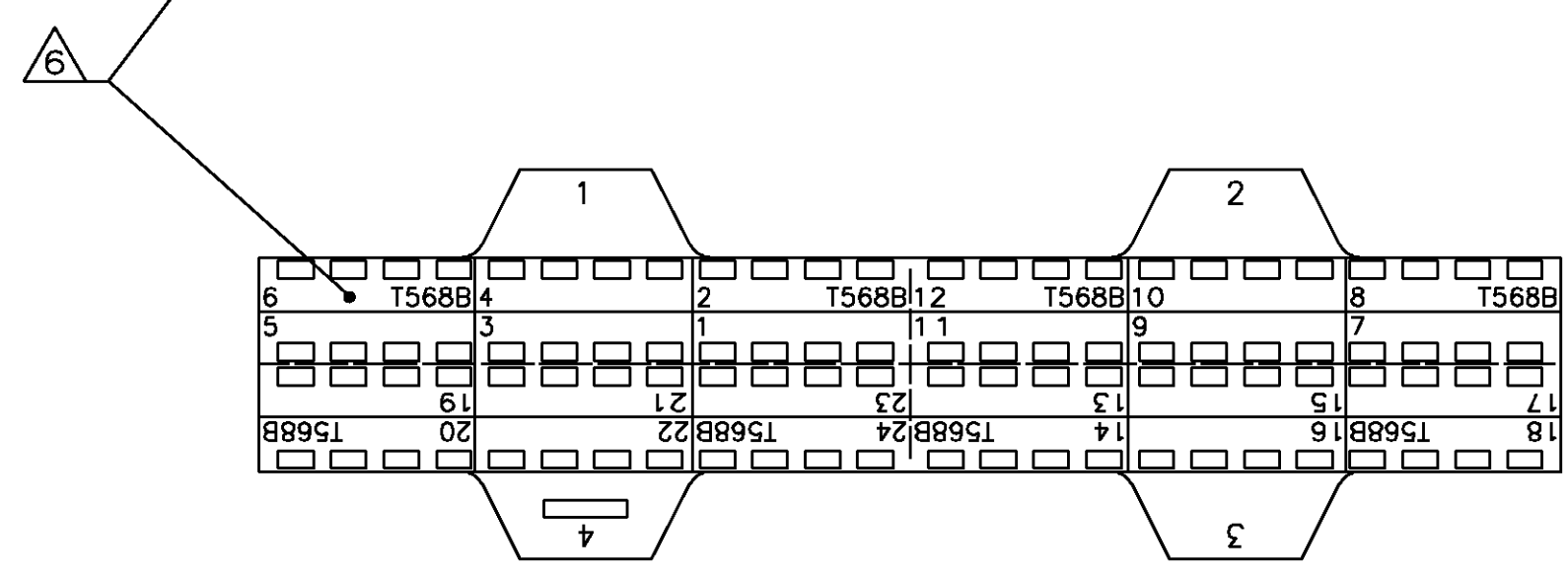
REVISONS		DATE	BY	APPD
AA	28	14AUG00	LH	SH
D	REDWN & REV; EC 0840-0178-00			



- 1 MATERIAL: PANEL - BLACK POWDER COAT STEEL WITH WHITE MARKINGS. PRINTED CIRCUIT BOARD - LAMINATED PLASTIC SUBSTRATE, 1.57[.062] THICK.
- 2 FOUR BLACK 12-24 X 12.7[.500] LONG AND FOUR 10-32 X 12.7[.500] LONG CARBON STEEL CROSS RECESSED SCREWS FOR MOUNTING OF PANEL SHIPPED LOOSE. NOT SHOWN ON DRAWING.
- 3 THREE RELEASEABLE CABLE TIES, SHOWN ASSEMBLED, USED FOR CABLE ORGANIZATION/ROUTING ARE SHIPPED LOOSE.
- 4 ICONS MAY BE PURCHASED SEPARATELY.
- 5 ONE SHEET OF BEZEL LABELS AND ONE SHEET OF CLEAR LABEL COVERS ARE SHIPPED LOOSE. ONE LABEL SHOWN INSTALLED AT LOCATION INDICATED.
- 6 ONE SHEET OF FOUR 110 CONNECTOR UNIVERSAL WIRING LABELS ARE SHIPPED LOOSE. ONE SIDE IS FOR T568A WIRING AND THE OPPOSITE SIDE FOR T568B WIRING. ONE LABEL SHOWN INSTALLED AT LOCATION INDICATED.



ELECTRICAL SCHEMATIC T568A OR T568B



406330-1 PART NUMBER

THIS DRAWING IS A CONTROLLED DOCUMENT.		DATE	14AUG00	AMP Incorporated Harrisburg, PA 17105-3608
DIMENSIONS: MM [INCHES]		CHK	S. HERNDON 14AUG00	
TOLERANCES UNLESS OTHERWISE SPECIFIED:		APPD	S. HERNDON 14AUG00	
0 PLC ± 1 PLC ± 2 PLC ± 3 PLC ± 4 PLC ± ANGLES ° FINISH		NAME	S. HERNDON	
MATERIAL		PRODUCT SPEC		PANEL ASSEMBLY, 24 PORT, RJ45, UNIVERSAL WIRING, CATEGORY 5, ENHANCED
		APPLICATION SPEC		
		WEIGHT	A1 00779	SIZE CAGE CODE DRAWING NO RESTRICTED TO
		CUSTOMER DRAWING		SCALE 1:1 SHEET 1 OF 1 REV D