

Heatsink

Standard lengths	n	b / d Ø mm	R_{thha}	R_{thha}	w kg
			natural cooling K/W	with Fan SKF 3-230-01 K/W	
P 3/120	1	20	0,55 (100W)	0,167	2,1
	3		0,43 (150W)	0,147	
	6		0,36 (180W)	0,12	
P 3/180	2	20	0,39 (150W)	0,132	3,1
	3		0,36 (180W)	0,108	
	6		0,33 (200W)	0,144	
P 3/300	1	34		0,118	5,3
	3			0,0847	
	6				

For isolated power modules

P 3

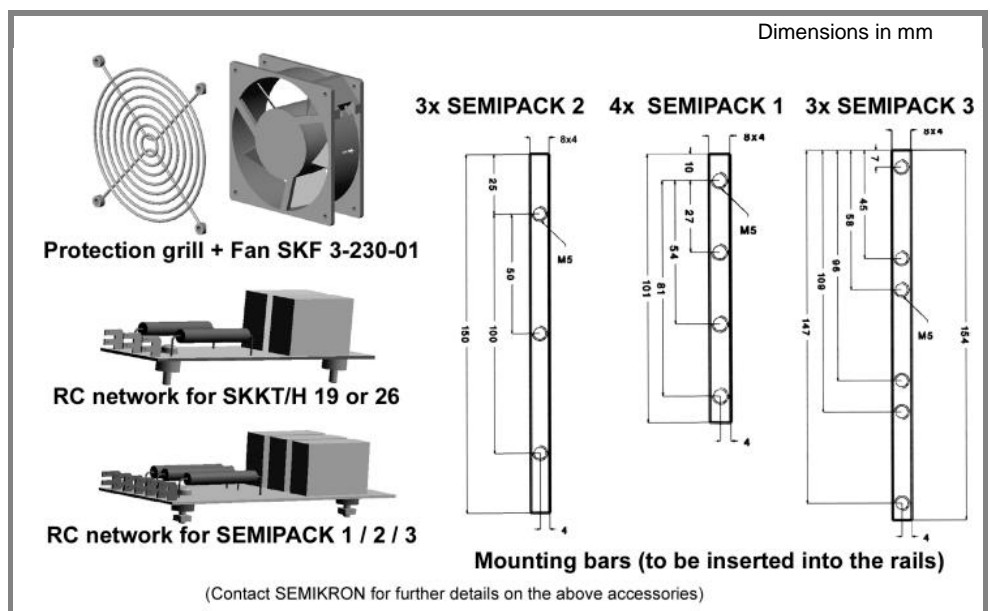
Features

- Intended for isolated power modules, SEMIPACK (1 to 4) and SEMITRANS 2 range
- Integrated rails allow for easy mounting of the modules
- Available in various lengths
- Best fitted fan : SKF 3-230-01
- Mounting bar rails available (see sketches)



Dimensions in mm

P3 general profile dimensions (w = 17,6 kg/m)



P 3 standard accessories

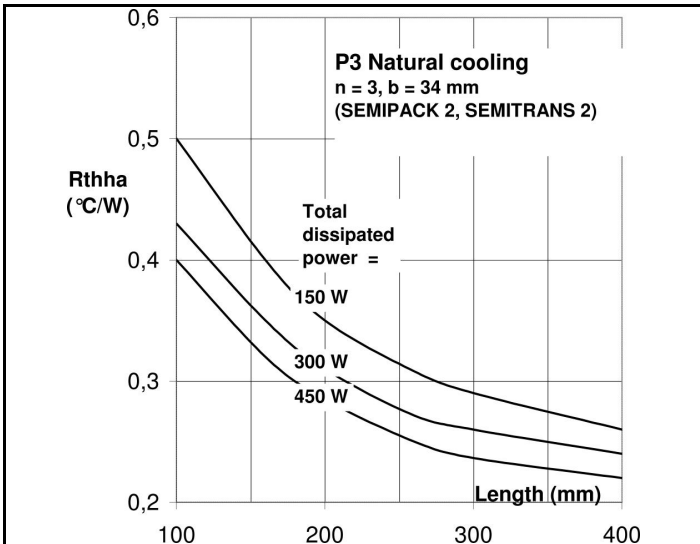


Fig.3a Total thermal resistance vs. length

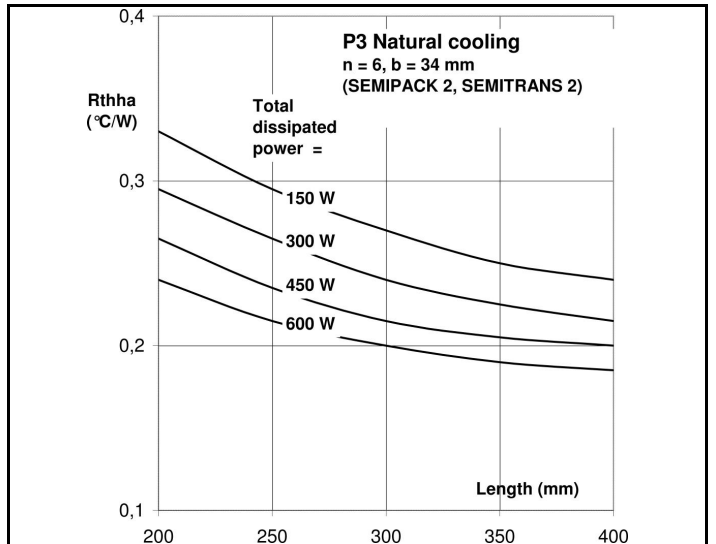


Fig.3b Total thermal resistance vs. length

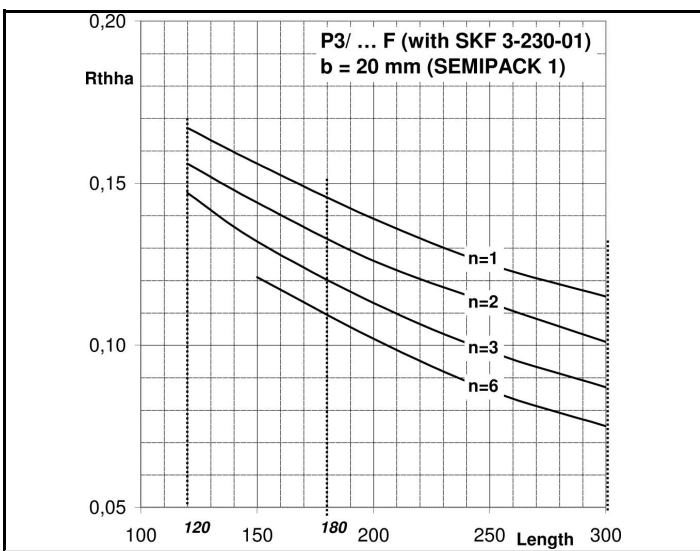


Fig.6 Total thermal resistance versus length

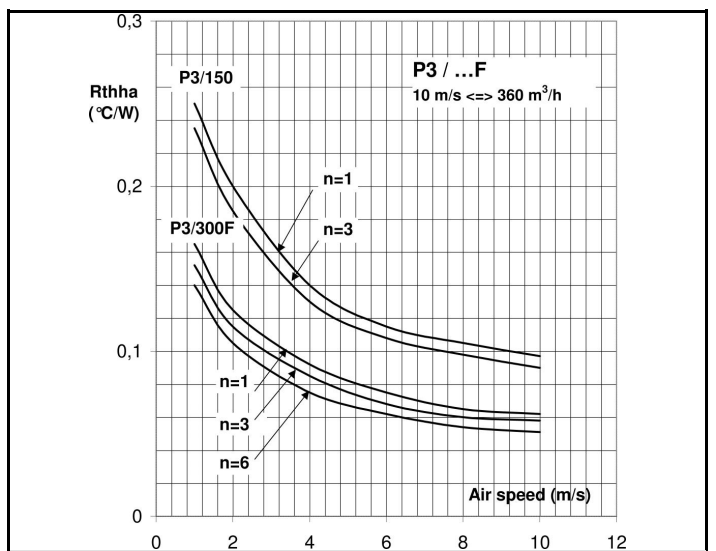


Fig.7 Total thermal resistance vs. air velocity

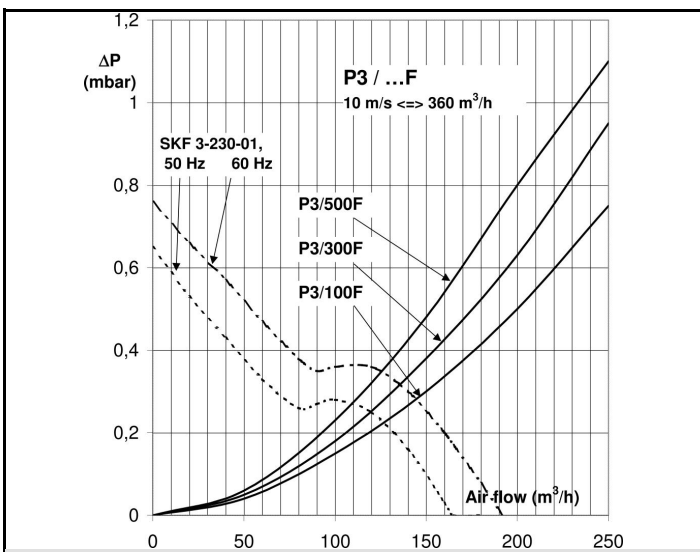


Fig.8 Pressure drop vs air flow, and associated fan SKF3

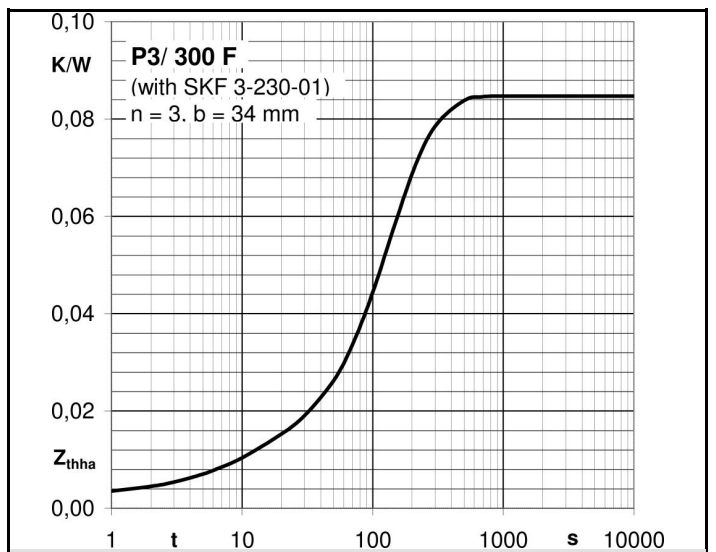
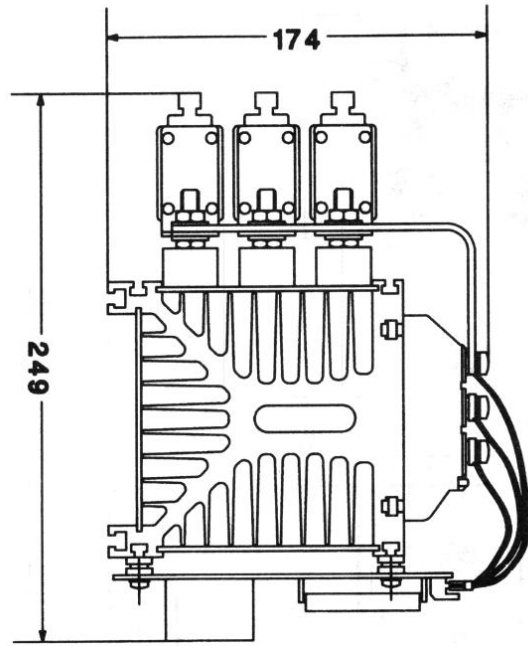
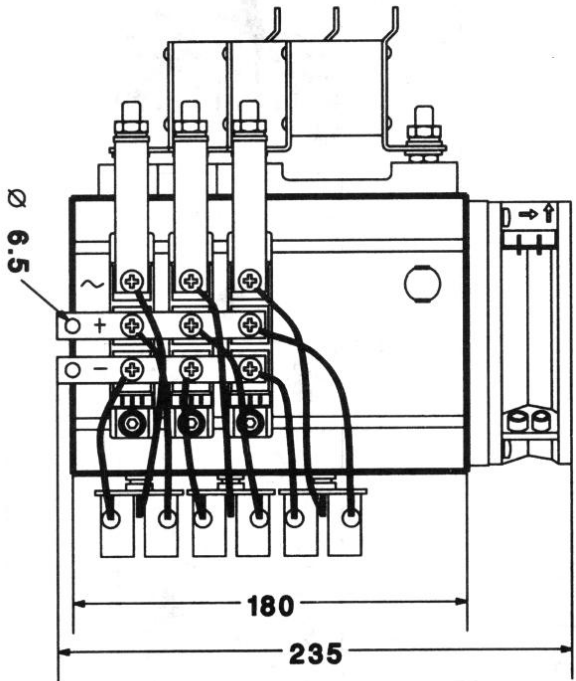


Fig.10 Total transient thermal impedance vs. time

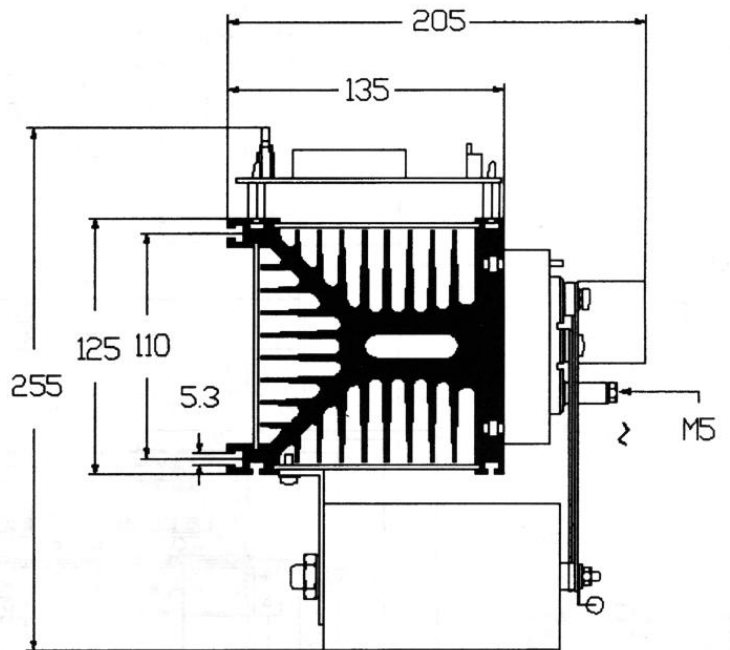
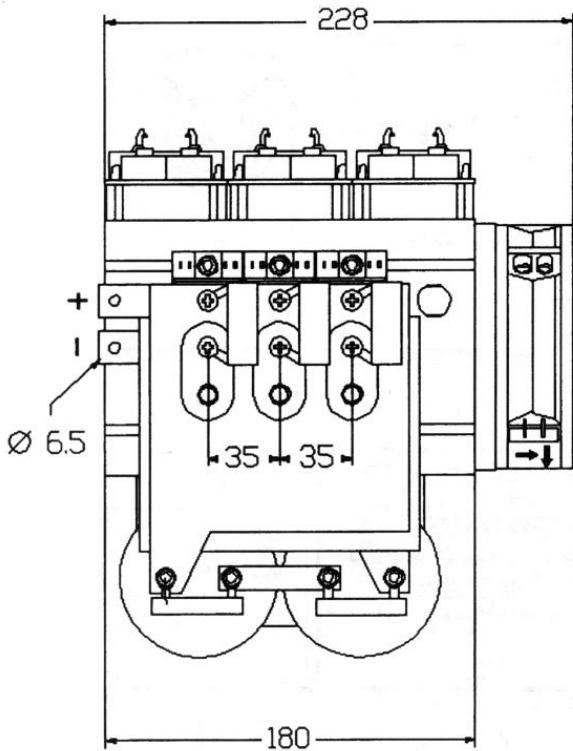
P3/180 F



This figure shows all available options

1. Application example using heatsink P 3/180 and SEMIPACK modules to give a three phase bridge

P3/180



2. Application example using SEMITRANS modules to give a B6CI configuration