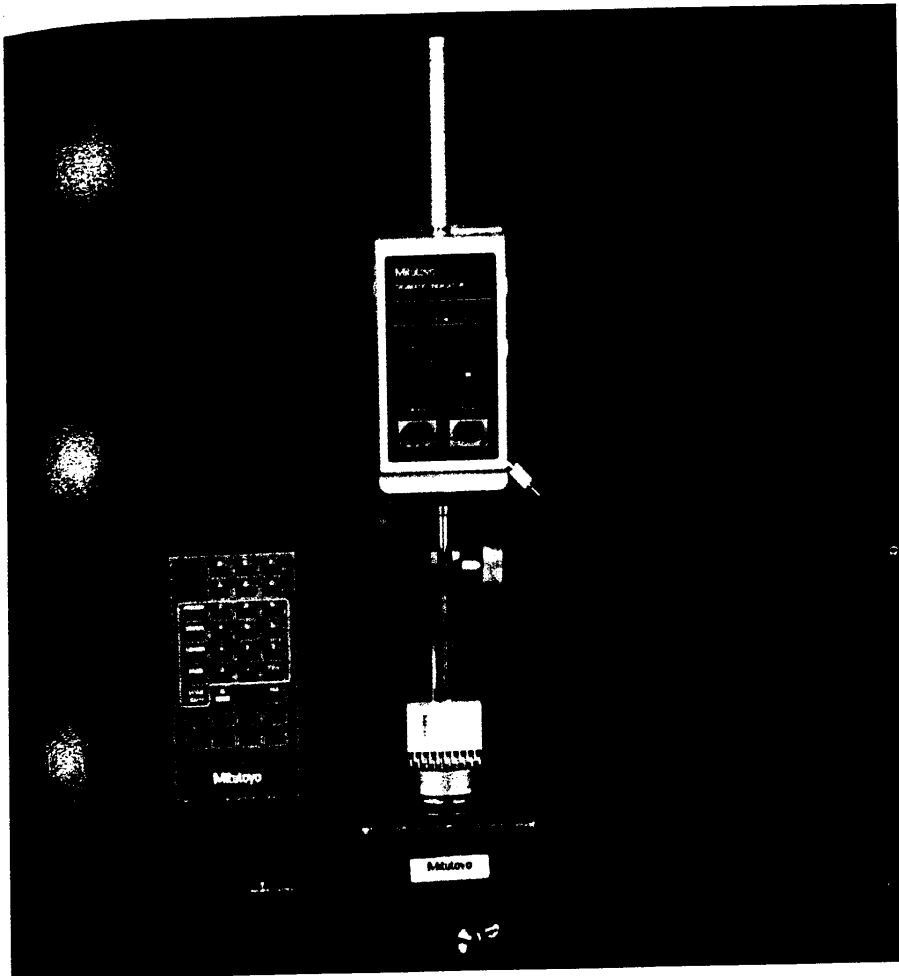


543 series

Digimatic Indicators



Range	Resolution	No.	Acc. (mm)	Meas Force (N)
12.7mm/.5"	0.001mm/0.0001"	543-521E	0.002	1.28
30mm/1.2"	0.001mm/0.0001"	543-523E	0.002	1.47
50mm/2"	0.001mm/0.0001"	543-525E	0.003	1.77

Type IDF

This Digimatic Indicator has a host of advanced features. This model is also available with an optional infra-red controller which can provide the unique convenience of remote control.

One remote control can command up to 16 groups of IDF Indicators, either separately or together in a gauging system, with digimatic output to SPC systems. The Remote Controller has a range of up to 7m.

- Reflective photoelectric linear encoder with no mechanical amplification for unsurpassed durability.
- Extremely high measuring accuracy.
- Functions:
 - Zero-setting
 - MAX/MIN measurement
 - Runout measurement
 - Direction changeover
 - Inch/mm conversion (inch/metric models)
 - On/Off
 - Error Alarm
 - Data Output

See page 275 for connecting cable

Additional functions available with use of optional remote control.

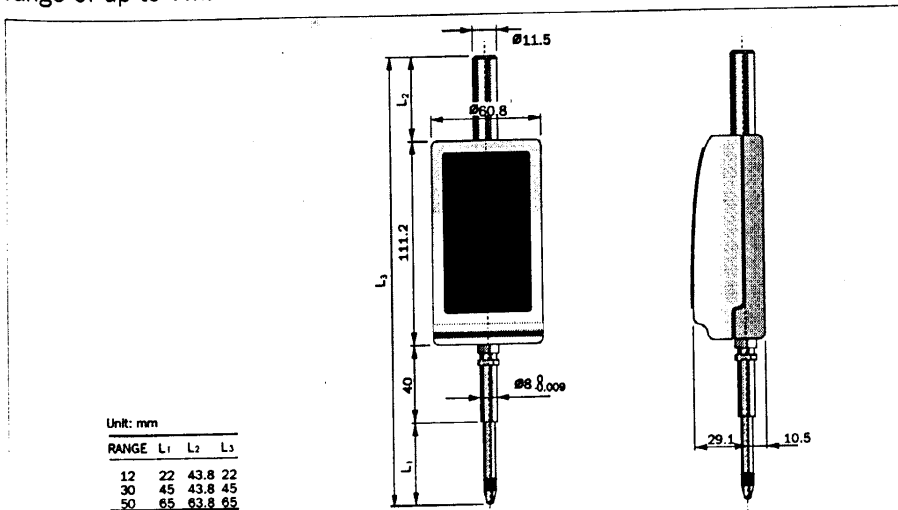
- Presetting
- Tolerance setting
- GO/NG judgement
- Data Load
- Mean value measurement

Standard Accessories

- Camera release cable
- Spindle lifting hook
- 9v DC mains adaptor

Optional Accessories

- **543-005** Infra-red Remote Controller
- **905664** Lug Back



543 series



Type IDS

The IDS indicator provides inexpensive electronic gauging. The indicator can be used on its own or part of a gauging system and incorporates data output for SPC.

- Simple design as compact as standard dial indicators.
- Comes in both battery and external power supply types.
- The battery type is designed for portable use. It is powered by a SR44 battery that has a life of 8000 hours.
- The external power supply type is suitable for installation in measuring jigs and automated gauging systems. It is powered by an optional Digimatic Power Supply Unit. It is possible to zero-set with a foot switch.
- Maximum response speed: 1600mm/s
- Operating temperature: 0°C to 40°C
- With back lug on centre

Digimatic Indicators

Range	No.	Res.	Accuracy
Battery Type			
12mm/0.5"	543-601-5	0.01mm/ 0.0005"	0.02mm
Power Supply Type			
12mm/0.5"	543-641-5	0.01mm/ 0.0005"	0.02mm
	965275	Power Supply Unit	

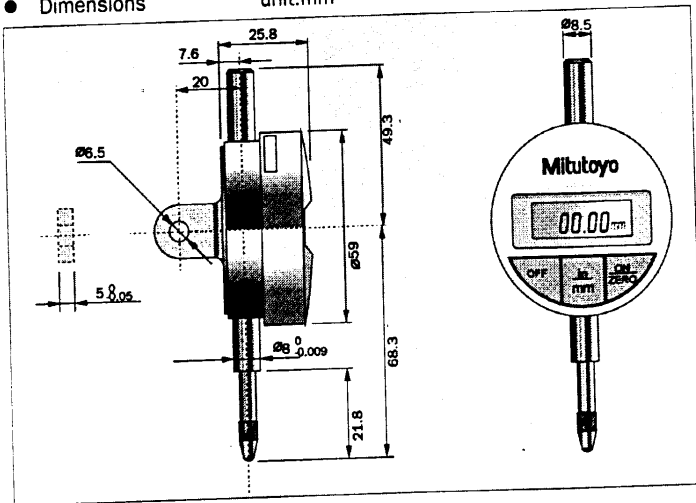
- Functions
 - Zero-setting
 - Data output
 - Inch/mm conversion
 - Error alarm
 - Low battery alarm

For use in any imperial clamping facility a 9.52mm (3/8") dia sleeve will need to be purchased separately. Part Number 206983

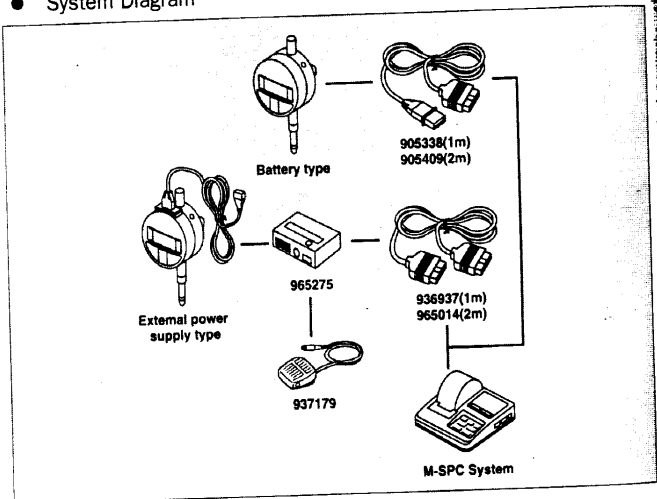
See page 275 for connecting cables

Dimensions

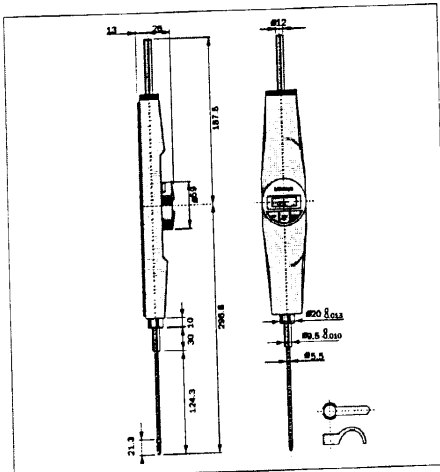
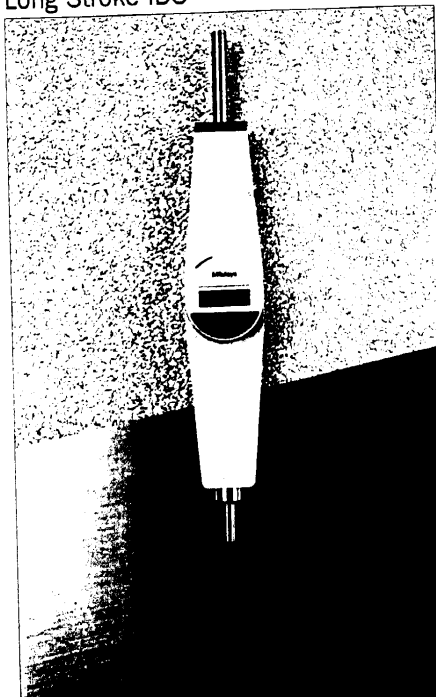
unit:mm



System Diagram



Long Stroke IDS

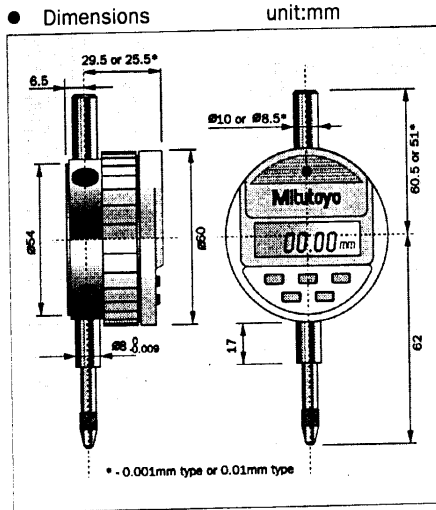


The long stroke IDS incorporates all the features of the regular IDS with the added advantage of extended travel to 4". A large LCD display makes for easier reading, whilst the function keys are protected by a membrane cover.

Range	No.	Res.	Accuracy
100mm/4"	543-617	0.01mm/ 0.0005"	0.04mm

543 series

Digimatic Indicators



Range	No.	Res.	Accuracy
Battery Type			
12mm/ 0.5"	543-101FB5	0.01mm/ 0.0005"	0.02mm
12mm/ 0.5"	543-122FB5	0.001mm/ 0.00005"	0.003mm
Power Supply Type			
12mm/ 0.5"	543-305B-5	0.01mm/ 0.0005"	0.02mm
12mm/ 0.5"	543-345B-5	0.001mm/ 0.00005"	0.003mm
	965275E	Power Supply Unit	

Type IDC
Compact and economic, the IDC displays spindle movement digitally by means of a linear encoder. Dial rotates through 330° for easy reading.

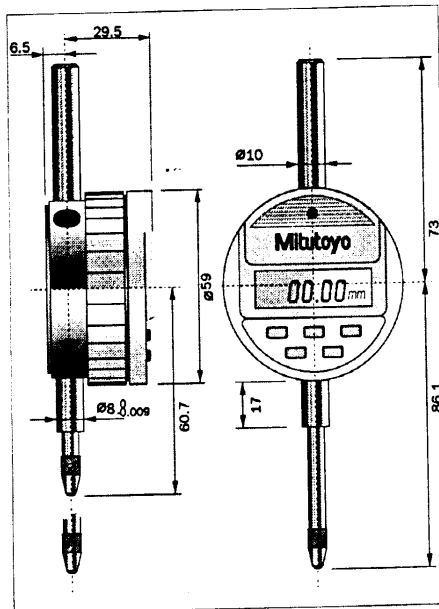
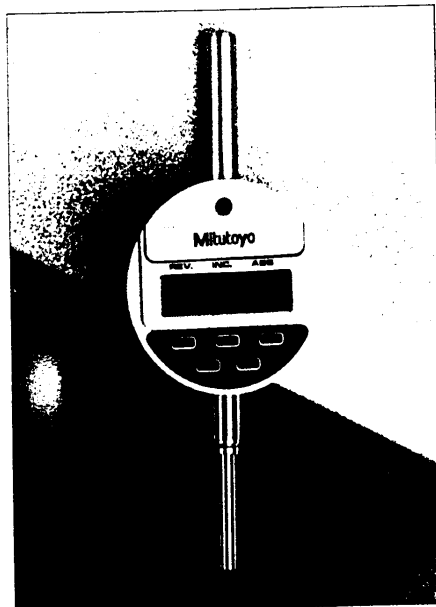
- Functions
Inch/metric conversion
Zero set
Preset
ABS/INC
- Data Output
- Direction changeover

- Alarm function: B = Battery low
E-05 = Overspeed
- Self-contained power supply
Battery life 543-101FB-5 1800hrs
543-122FB-5 500hrs
- SR44 Battery (2)
- Response speed: 1000mm/40" per sec
- Measuring force: 0.98N (0.01mm)
1.76N (0.001mm)

See page 275 for connecting cables

543 series

Digimatic Indicators



Range	No.	Res.	Accuracy
25mm/ 1"	543-123B-5	0.001mm/ .00005"	0.003mm

Type IDC
All the features of the standard IDC with twice the travel.

- Functions
Inch/metric conversion
Zero set
Preset
ABS/INC
- Data Output
- Direction changeover

- Alarm function: B = Battery low
E-05 = Overspeed
- Self-contained power supply
Battery life 543-101FB-5 1800hrs
543-122FB-5 500hrs
- SR44 Battery (2)
- Response speed: 1000mm/40" per sec
- Measuring force: 0.98N (0.01mm)
1.76N (0.001mm)

See page 275 for connecting cables

