

PCB
Connection

New PCB Power Terminal Block with Spring Lever Technology (SLT)

Innovation



Quick & easy connection

Comfort

- Easy wiring without screwdriver
- Bistable lever
- Maintenance free (no retightening)

Security

- No strain on the PCB
- High vibration and shock resistance
- Visual indication (2 clear positions)

Rapidity and cost saving

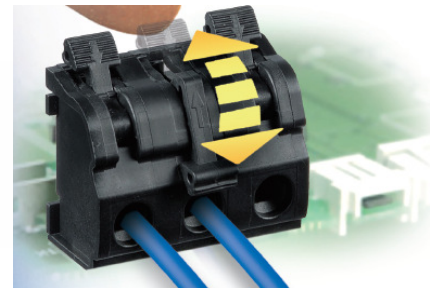
- 50% time saving
- Ready to use (cage clamp delivered opened)

Just 2 steps to connect...

1 - Insert wire

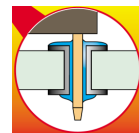
2 - Push the lever

... It's done!



Technical performance

- ▶ Wire up to 4 mm² (10 AWG)
- ▶ Up to 30A and 400 V
- ▶ Spacing: 6.35, 7.62, 9.52 mm

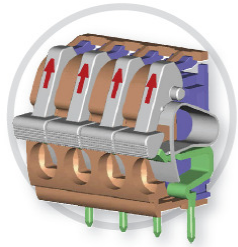


**Through Hole
Reflow compatible
(THR)**

ABB France

Automation Products Division - PCB Connection
10, rue Ampère Z.I. - B.P. 114 - F-69685 Chassieu cedex / France
Tel: +33 (0)4 7222 1722 - Fax: +33 (0)4 7222 1935

ABB



PCB power terminal blocks

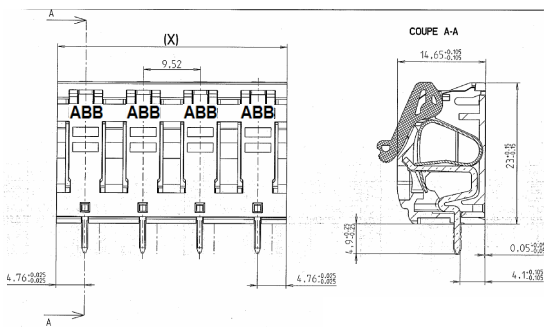
Terminal blocks for connection parallel to P.C.B.
Single deck block, 1 pin per pole.

Through Hole Reflow compatible

Ordering details

Product family	Spacing	Packaging	N. Poles	Order code*
L 886 200	6.35 mm	50	2 to 6	1SSS 8862 XX R3200
L 887 200	7.62 mm	50	2 to 6	1SSA 8872 XX R0100
L 889 200	9.52 mm	50	2 to 6	1SSS 8892 XX R3200

* XX : poles number from 02 to 06



Technical data	L 886 200		L 887 200		L 889 200		
	6.35 mm .250"		7.62 mm .300"		9.52 mm .375"		
Spacing							
	IEC	UL	IEC	UL	IEC	UL	
Wire size							
	Solid wire	0.2 - 4 mm ²	20 - 10 AWG	0.2 - 4 mm ²	20 - 10 AWG	0.2 - 4 mm ²	20 - 10 AWG
	Stranded wire	0.22 - 4 mm ²	20 - 10 AWG	0.22 - 4 mm ²	20 - 10 AWG	0.22 - 4 mm ²	20 - 10 AWG
Rated voltage	400 V	150V	500 V	150V	500 V	300 V	
Rated current	30 A	27 A	30 A	27 A	30 A	27 A	
Rated wire size / Gauge	4 mm ²	10 AWG	4 mm ²	10 AWG	4 mm ²	10 AWG	
Protection	IP 20 / NEMA 1		IP 20 / NEMA 1		IP 20 / NEMA 1		
P.C.B. thickness	≤ 2.4 mm .094"		≤ 2.4 mm .094"		≤ 2.4 mm .094"		
P.C.B. holes Ø	1.3 mm .052"		1.3 mm .052"		1.3 mm .052"		

Various applications

- Power supply units
- Air conditioning for buildings
- Automatic gates and doors
- Power control devices
- Battery load regulators

ABB France

Automation Products Division - PCB Connection
10, rue Ampère Z.I. - B.P. 114 - F-69685 Chassieu cedex / France
Tel: +33 (0)4 7222 1722 - Fax: +33 (0)4 7222 1935



PCB
Connection

New PCB Power Terminal Block with Spring Lever Technology (SLT)

Innovation



Quick & easy connection

Comfort

- Easy wiring without screwdriver
- Bistable lever
- Maintenance free (no retightening)

Security

- No strain on the PCB
- High vibration and shock resistance
- Visual indication (2 clear positions)

Rapidity and cost saving

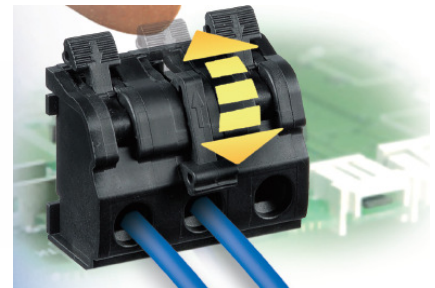
- 50% time saving
- Ready to use (cage clamp delivered opened)

Just 2 steps to connect...

1 - Insert wire

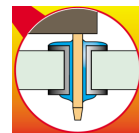
2 - Push the lever

... It's done!



Technical performance

- ▶ Wire up to 4 mm² (10 AWG)
- ▶ Up to 30A and 400 V
- ▶ Spacing: 6.35, 7.62, 9.52 mm

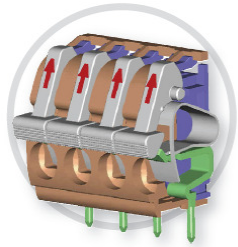


**Through Hole
Reflow compatible
(THR)**

ABB France

Automation Products Division - PCB Connection
10, rue Ampère Z.I. - B.P. 114 - F-69685 Chassieu cedex / France
Tel: +33 (0)4 7222 1722 - Fax: +33 (0)4 7222 1935

ABB



PCB power terminal blocks

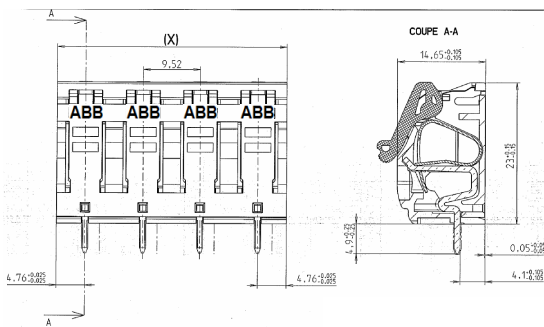
Terminal blocks for connection parallel to P.C.B.
Single deck block, 1 pin per pole.

Through Hole Reflow compatible

Ordering details

Product family	Spacing	Packaging	N. Poles	Order code*
L 886 200	6.35 mm	50	2 to 6	1SSS 8862 XX R3200
L 887 200	7.62 mm	50	2 to 6	1SSA 8872 XX R0100
L 889 200	9.52 mm	50	2 to 6	1SSS 8892 XX R3200

* XX : poles number from 02 to 06



Technical data	L 886 200		L 887 200		L 889 200	
	6.35 mm .250"		7.62 mm .300"		9.52 mm .375"	
Spacing	6.35 mm .250"		7.62 mm .300"		9.52 mm .375"	
	IEC	UL	IEC	UL	IEC	UL
Wire size	Solid wire	0.2 - 4 mm ² 20 - 10 AWG	0.2 - 4 mm ² 20 - 10 AWG	0.2 - 4 mm ² 20 - 10 AWG	0.2 - 4 mm ² 20 - 10 AWG	0.2 - 4 mm ² 20 - 10 AWG
	Stranded wire	0.22 - 4 mm ² 20 - 10 AWG	0.22 - 4 mm ² 20 - 10 AWG	0.22 - 4 mm ² 20 - 10 AWG	0.22 - 4 mm ² 20 - 10 AWG	0.22 - 4 mm ² 20 - 10 AWG
Rated voltage	400 V	150V	500 V	150V	500 V	300 V
Rated current	30 A	27 A	30 A	27 A	30 A	27 A
Rated wire size / Gauge	4 mm ²	10 AWG	4 mm ²	10 AWG	4 mm ²	10 AWG
Protection	IP 20 / NEMA 1		IP 20 / NEMA 1		IP 20 / NEMA 1	
P.C.B. thickness	≤ 2.4 mm .094"		≤ 2.4 mm .094"		≤ 2.4 mm .094"	
P.C.B. holes Ø	1.3 mm .052"		1.3 mm .052"		1.3 mm .052"	

Various applications

- Power supply units
- Air conditioning for buildings
- Automatic gates and doors
- Power control devices
- Battery load regulators

ABB France

Automation Products Division - PCB Connection
10, rue Ampère Z.I. - B.P. 114 - F-69685 Chassieu cedex / France
Tel: +33 (0)4 7222 1722 - Fax: +33 (0)4 7222 1935

