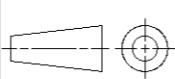


THIS DRAWING IS UNCLASSIFIED
 RELEASED FOR PUBLICATION 2005
 © COPYRIGHT 2000 BY TYCO ELECTRONICS CORPORATION. ALL RIGHTS RESERVED.

LOC	DIST	REVISIONS					
		P	LTR	DESCRIPTION	DATE	DWN	APVD
A1	-		A5	DETAIL A AND PN 7-1437373-5 ADDED	20FEB2006	GA	RK

ROUND TO FLAT CABLE SHIELDED SERIES 300 ANSLEY

DIM. A	DIM. B	DIM. C	NO. OF COND.	COIL LENGHT 30.5m		REEL LENGHT 100m		REEL LENGHT 500m	
				TYCO - PN	OLD PN	TYCO - PN	OLD PN	TYCO - PN	OLD PN
6.80 ±0.20	11,43	0,8	9	0-1437373-2	300-09	0-1437373-1	300-09-100M		
6.80 ±0.20	12,70	0,8	10	0-1437373-6	300-10	0-1437373-4	300-10-100M	0-1437373-5	300-10-500M
7.20 ±0.20	17,78	0,8	14	0-1437373-7	300-14	0-1437373-8	300-14-100M		
7.60 ±0.20	19,05	0,8	15	0-1437373-9	300-15	1-1437373-0	300-15-100M	1-1437373-1	300-15-500M
8.40 ±0.20	20,32	0,8	16	1-1437373-3	300-16	1-1437373-4	300-16-100M	1-1437373-5	300-16-500M
8.40 ±0.20	25,40	0,8	20	1-1437373-6	300-20	1-1437373-7	300-20-100M	1-1437373-8	300-20-500M
9.20 ±0.30	30,48	0,8	24	1-1437373-9	300-24				
9.20 ±0.30	31,75	0,8	25	2-1437373-0	300-25	2-1437373-1	300-25-100M		
9.80 ±0.30	33,02	0,8	26	2-1437373-3	300-26	2-1437373-4	300-26-100M		
9.80 ±0.30	38,10	0,8	30		300-30				
10.60 ±0.40	43,20	0,8	34	2-1437373-7	300-34	2-1437373-8	300-34-100M		
10.60 ±0.40	45,72	0,8	36	2-1437373-9	300-36				
10.60 ±0.40	47,00	1,0	37	3-1437373-0	300-37	3-1437373-1	300-37-100M		
11.30 ±0.40	50,80	1,0	40	3-1437373-3	300-40	3-1437373-4	300-40-100M	3-1437373-5	300-40-500M
11.60 ±0.40	63,50	1,0	50	3-1437373-6	300-50	3-1437373-7	300-50-100M		
13.00 ±0.40	76,20	1,0	60	4-1437373-0	300-60	4-1437373-1	300-60-100M		
13.50 ±0.40	81,30	1,0	64	4-1437373-2	300-64	4-1437373-3	300-64-100M		

THIS DRAWING IS A CONTROLLED DOCUMENT FOR TYCO ELECTRONICS CORPORATION IT IS SUBJECT TO CHANGE AND THE CONTROLLING ENGINEERING ORGANIZATION SHOULD BE CONTACTED FOR THE LATEST REVISION.		DWN 11APR2003 G. ACKERMANN CHK 22APR2003 M. SCHLEIHAUF APVD 25APR2003 G. FELDMAYER	tyco Electronics tyco Electronics AMP GmbH D - 67346 Speyer
DIMENSIONS: mm 	TOLERANCES UNLESS OTHERWISE SPECIFIED: 0 PLC ± 1 PLC ± 2 PLC ± 3 PLC ± 4 PLC ± ANGLES ±	PRODUCT SPEC - APPLICATION SPEC - WEIGHT -	NAME ROUND TO FLAT JACKETED CABLE SHIELDED / UNSHIELDED ANSLEY SERIES 300 / 301
MATERIAL -	FINISH -	CUSTOMER DRAWING	SIZE A3 CAGE CODE 00779 DRAWING NO C=1437373 RESTRICTED TO - SCALE 1:1 SHEET 1 OF 4 REV A5

THIS DRAWING IS UNCLASSIFIED
 RELEASED FOR PUBLICATION 2005
 © COPYRIGHT 2000 BY TYCO ELECTRONICS CORPORATION. ALL RIGHTS RESERVED.

LOC	DIST	REVISIONS					
		P	LTR	DESCRIPTION	DATE	DWN	APVD
A1	-	-	-	SEE SHEET 1	-	-	-

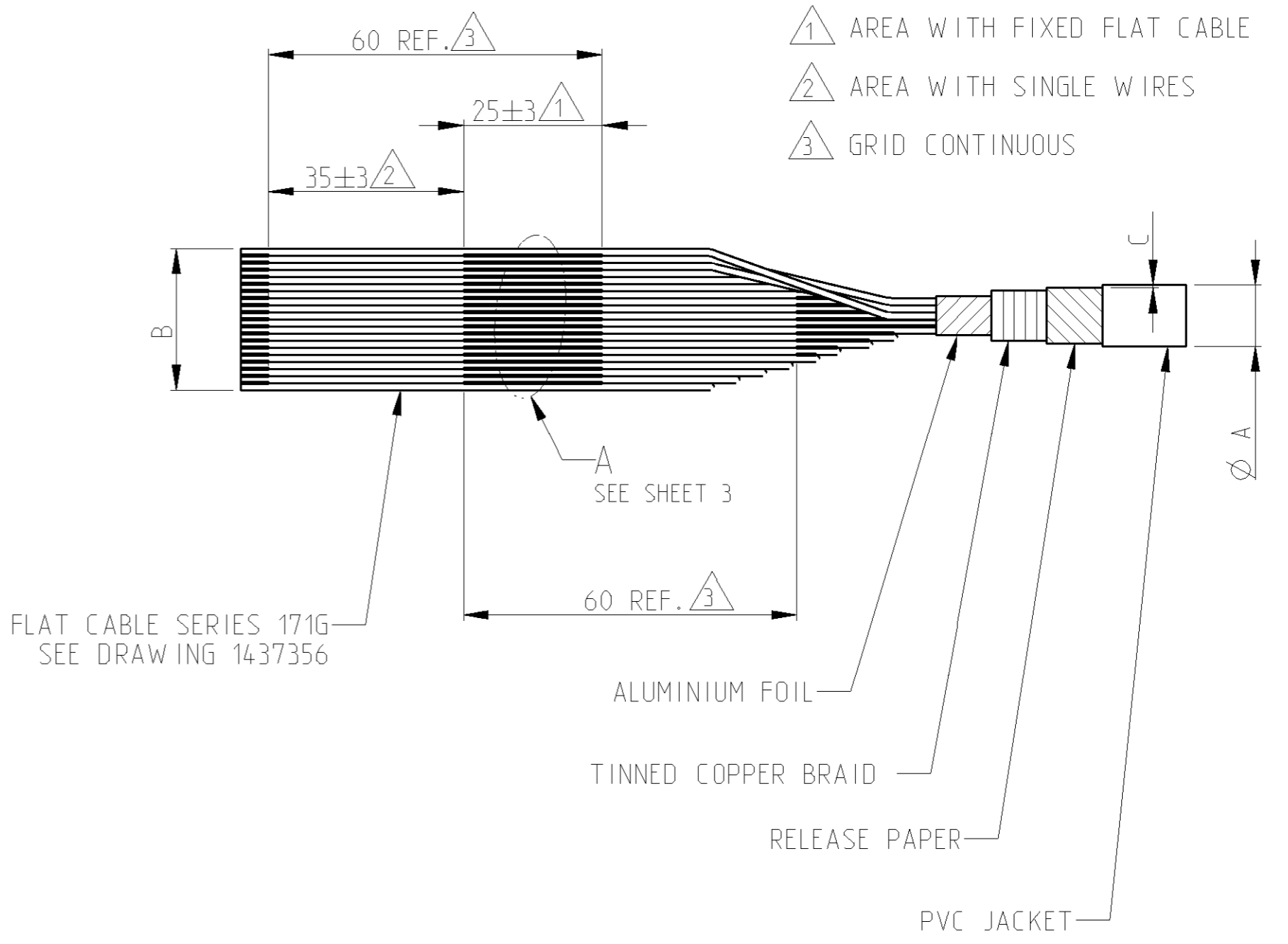
ROUND TO FLAT 1.27mm JACKETED CABLE
 ANSLEY 300 SERIES SHIELDED

WIRE GAUGE 28 AWG (7/36) STRANDED
 INSULATION AND JACKET PVC
 TEMPERATURE RATING 80 °C
 VOLTAGE RATING 300V rms
 IMPEDANCE 57Ω
 CAPACITANCE 92pF/m
 INDUCTANCE 0.30 μH/m
 VELOCITY OF PROPAGATION 4.50nS/m
 INSULATION RESISTANCE 10¹⁰ Ω

TYPICAL CROSSTALK RISE CHARACTERISTICS
 3.05m SAMPLE 1 LINE DRIVEN

RISE TIME	3.0nS	7.0 nS
NEAR END	3.8%	1.8%
FAR END	4.8%	3.3%

APPROVALS AWM STYLE 20267
 ALTERNATIVE PLCC CL2



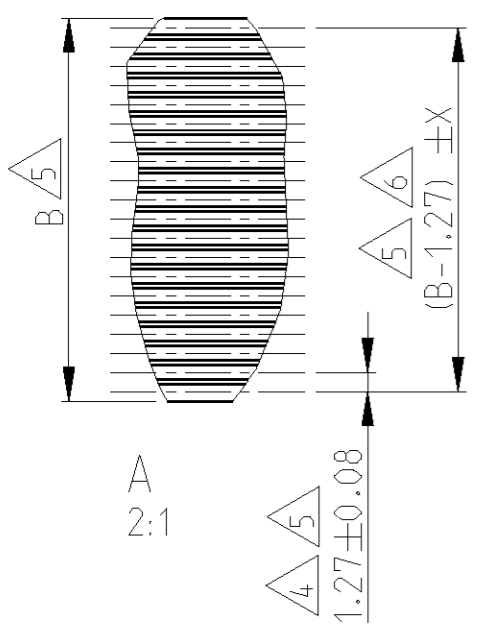
<small>THIS DRAWING IS A CONTROLLED DOCUMENT FOR TYCO ELECTRONICS CORPORATION IT IS SUBJECT TO CHANGE AND THE CONTROLLING ENGINEERING ORGANIZATION SHOULD BE CONTACTED FOR THE LATEST REVISION.</small>		DWN 11APR2003 G. ACKERMANN CHR 22APR2003 M. SCHLEIHAUF APVD 25APR2003 G. FELDMAYER		tyco Electronics tyco Electronics AMP GmbH D - 67346 Speyer	
DIMENSIONS: mm 		TOLERANCES UNLESS OTHERWISE SPECIFIED: ±0.2 0 PLC ± 1 PLC ± 2 PLC ± 3 PLC ± 4 PLC ± ANGLES ±		NAME ROUND TO FLAT JACKETED CABLE SHIELDED / UNSHIELDED ANSLEY SERIES 300 / 301	
MATERIAL - FINISH -		PRODUCT SPEC - APPLICATION SPEC - WEIGHT -		SIZE A3 CAGE CODE 00779 DRAWING NO C=1437373 RESTRICTED TO -	
CUSTOMER DRAWING				SCALE 1:1 SHEET 2 OF 4 REV A5	

THIS DRAWING IS UNCLASSIFIED
 RELEASED FOR PUBLICATION 2005
 © COPYRIGHT 2000 BY TYCO ELECTRONICS CORPORATION. ALL RIGHTS RESERVED.

LOC	DIST	REVISIONS			
P	LTR	DESCRIPTION	DATE	DWN	APVD
		SEE SHEET 1	-	-	-

ROUND TO FLAT CABLE UNSHIELDED SERIES 301 ANSLEY

DIM. A	DIM. B	DIM. C	NO. OF COND.	COIL LENGHT 30.5m		COIL LENGHT 100m		REEL LENGHT 500m	
				TYCO - PN	OLD PN	TYCO - PN	OLD PN	TYCO - PN	OLD PN
6.10 ±0.20	11.43	0.8	9	4-1437373-4	301-09	4-1437373-5	301-09-100M		
6.20 ±0.20	12.70	0.8	10	4-1437373-7	301-10	4-1437373-8	301-10-100M		
7.20 ±0.20	17.78	0.8	14	4-1437373-9	301-14				
7.20 ±0.20	19.05	0.8	15	5-1437373-0	301-15				
7.20 ±0.20	20.32	0.8	16	5-1437373-1	301-16	5-1437373-2	301-16-100M		
7.30 ±0.20	25.40	0.8	20	5-1437373-3	301-20	5-1437373-4	301-20-100M		
8.60 ±0.30	30.48	0.8	24	5-1437373-6	301-24				
8.60 ±0.30	31.75	0.8	25	5-1437373-7	301-25				
8.60 ±0.30	33.02	0.8	26	5-1437373-8	301-26	5-1437373-9	301-26-100M		
9.30 ±0.30	38.10	0.8	30		301-30				
10.00 ±0.40	43.20	0.8	34	6-1437373-2	301-34	6-1437373-3	301-34-100M		
10.20 ±0.40	45.72	0.8	36	6-1437373-4	301-36				
10.30 ±0.40	47.00	1.0	37	6-1437373-5	301-37	6-1437373-6	301-37-100M		
10.50 ±0.40	50.80	1.0	40	6-1437373-7	301-40	6-1437373-8	301-40-100M		
11.10 ±0.40	63.50	1.0	50	6-1437373-9	301-50	7-1437373-0	301-50-100M		
12.50 ±0.40	76.20	1.0	60	7-1437373-2	301-60			7-1437373-3	301-60-500M
13.00 ±0.40	81.30	1.0	64	7-1437373-4	301-64	7-1437373-5	301-64-100M		



- △ 4 PITCH TOLERANCE NOT CUMULATIVE
- △ 5 VALID IN AREA 1 ONLY
- △ 6 TOTAL PITCH TOLERANCE X
 - ... 14 CONDUCTORS ±0.18
 - 15 ... 37 CONDUCTORS ±0.25
 - 38 ... CONDUCTORS ±0.38

THIS DRAWING IS A CONTROLLED DOCUMENT FOR TYCO ELECTRONICS CORPORATION
 IT IS SUBJECT TO CHANGE AND THE CONTROLLING ENGINEERING ORGANIZATION
 SHOULD BE CONTACTED FOR THE LATEST REVISION.

DIMENSIONS:	TOLERANCES UNLESS OTHERWISE SPECIFIED:
mm	
	0 PLC ±
	1 PLC ±
	2 PLC ±
	3 PLC ±
	4 PLC ±
	ANGLES ±
MATERIAL -	FINISH -

DWN	11APR2003
CHK	G.ACKERMANN
APVD	M.SCHLEIHAUF
APVD	25APR2003
APVD	G.FELDMEIER
PRODUCT SPEC	-
APPLICATION SPEC	-
WEIGHT	-
CUSTOMER DRAWING	

tyco		tyco Electronics AMP GmbH	
Electronics		D - 67346 Speyer	
NAME ROUND TO FLAT JACKETED CABLE SHIELDED / UNSHIELDED ANSLEY SERIES 300 / 301			
SIZE	CAGE CODE	DRAWING NO	RESTRICTED TO
A3	00779	C=1437373	-
SCALE 1:1		SHEET 3 of 4	REV A5

THIS DRAWING IS UNCLASSIFIED
 RELEASED FOR PUBLICATION 2005
 © COPYRIGHT 2000 BY TYCO ELECTRONICS CORPORATION. ALL RIGHTS RESERVED.

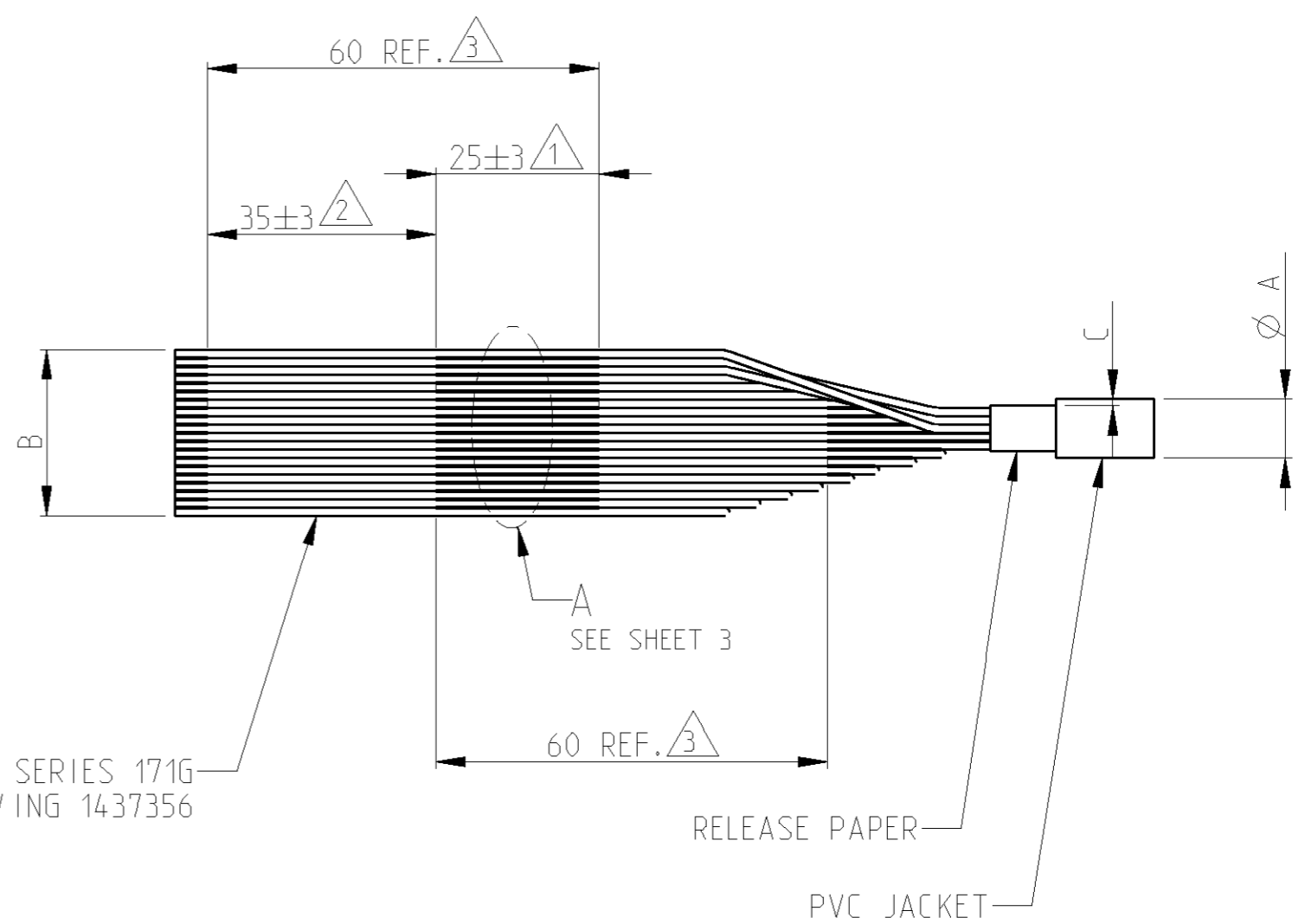
LOC	DIST	REVISIONS			
P	LTR	DESCRIPTION	DATE	DWN	APVD
		SEE SHEET 1	-	-	-

ROUND TO FLAT 1.27mm JACKETED CABLE
 ANSLEY 301 SERIES UNSHIELDED
 WIRE GAUGE 28 AWG (7/36) STRANDED
 INSULATION AND JACKET PVC
 TEMPERATURE RATING 80 °C
 VOLTAGE RATING 300V rms
 IMPEDANCE 63Ω
 CAPACITANCE 81pF/m
 INDUCTANCE 0.33 μH/m
 VELOCITY OF PROPAGATION 4.40nS/m
 INSULATION RESISTANCE 10¹⁰ Ω

- △1 AREA WITH FIXED FLAT CABLE
- △2 AREA WITH SINGLE WIRES
- △3 GRID CONTINUOUS

TYPICAL CROSSTALK RISE CHARACTERISTICS
 3.05m SAMPLE 1 LINE DRIVEN

RISE TIME	3.0nS	7.0 nS
NEAR END	4.8%	3.5%
FAR END	5.8%	3.0%



APPROVALS
 ALTERNATIVE AWM STYLE 20267
 PLCC CL2

<small>THIS DRAWING IS A CONTROLLED DOCUMENT FOR TYCO ELECTRONICS CORPORATION IT IS SUBJECT TO CHANGE AND THE CONTROLLING ENGINEERING ORGANIZATION SHOULD BE CONTACTED FOR THE LATEST REVISION.</small>		DWN 11APR2003 G. ACKERMANN CHK 22APR2003 M. SCHLEIHAUF APVD 25APR2003 G. FELDMEIER		tyco Electronics tyco Electronics AMP GmbH D - 67346 Speyer	
DIMENSIONS: mm 		TOLERANCES UNLESS OTHERWISE SPECIFIED: ±0.2 0 PLC ± 1 PLC ± 2 PLC ± 3 PLC ± 4 PLC ± ANGLES ±		NAME ROUND TO FLAT JACKETED CABLE SHIELDED / UNSHIELDED ANSLEY SERIES 300 / 301	
MATERIAL - FINISH -		PRODUCT SPEC - APPLICATION SPEC - WEIGHT -		SIZE A3 CAGE CODE 00779 DRAWING NO C=1437373 RESTRICTED TO -	
CUSTOMER DRAWING				SCALE 1:1 SHEET 4 OF 4 REV A5	