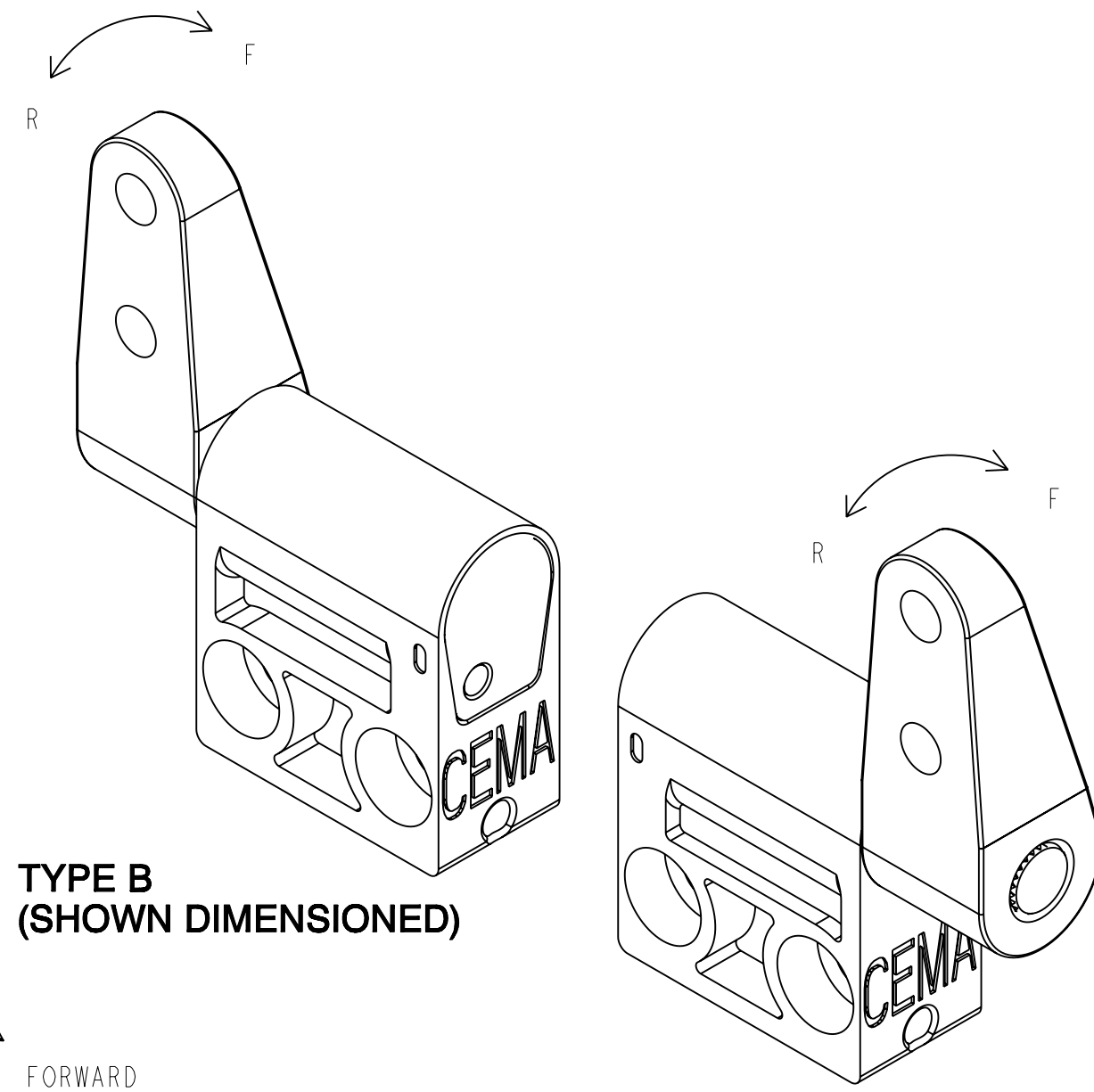
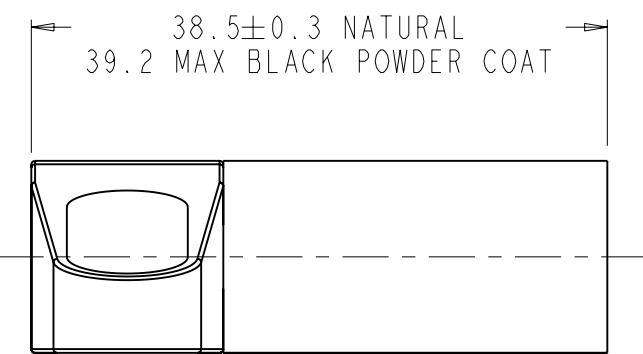


PROPRIETY ITEM - EXCEPT FOR USES EXPRESSLY GRANTED IN WRITING.
 INFORMATION DISCLOSED HEREON IS CONFIDENTIAL AND ALL RIGHTS
 PATENT AND OTHERWISE ARE RESERVED BY SOUTHCO, INC.

REVISION RECORD			
SYMB	DESCRIPTION	BY	DATE
A	PRN: P2006-0566	JM	13APR06
B	PRN: P2006-0736	AJH/RLR	27MAY2006
C	PRN: P2007-0719	AJH	24AUG2007
D	PRN: P2008-0041	MJS/TBH	16JAN2008

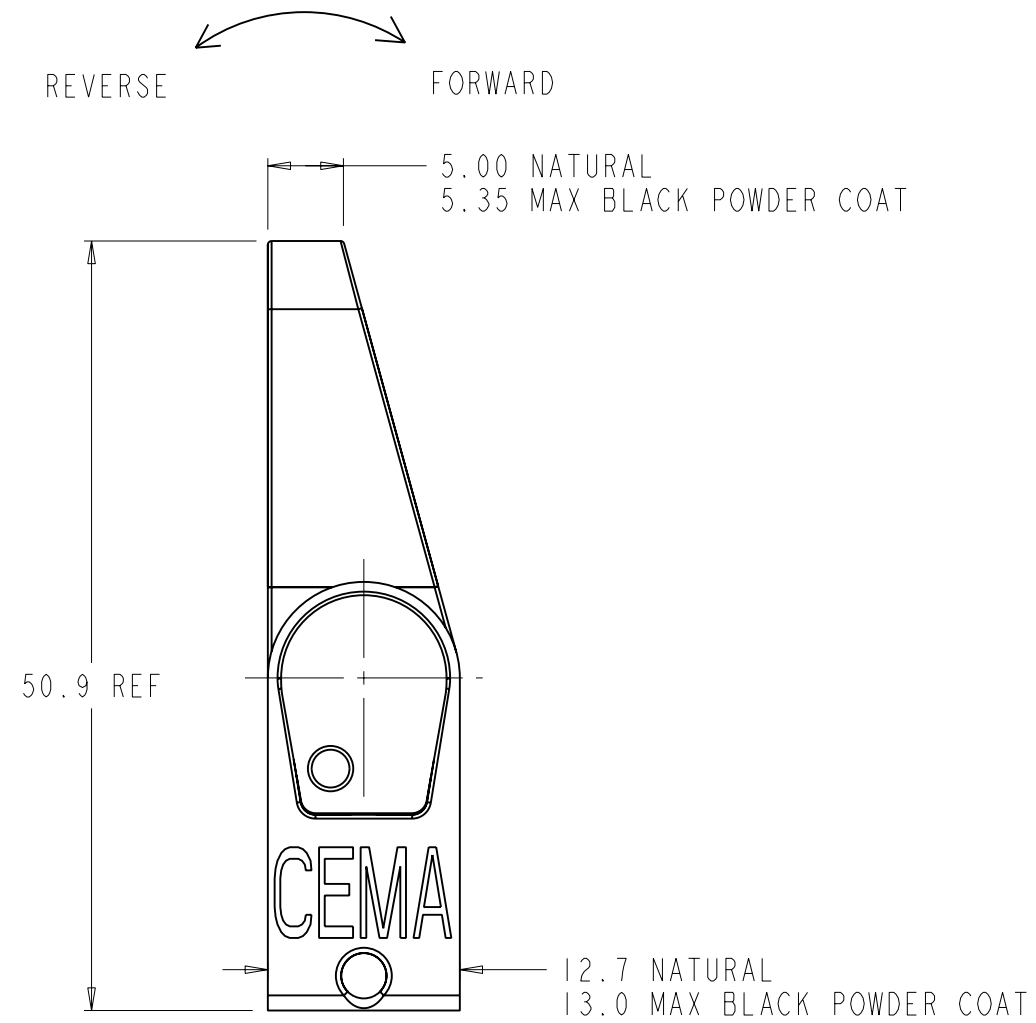
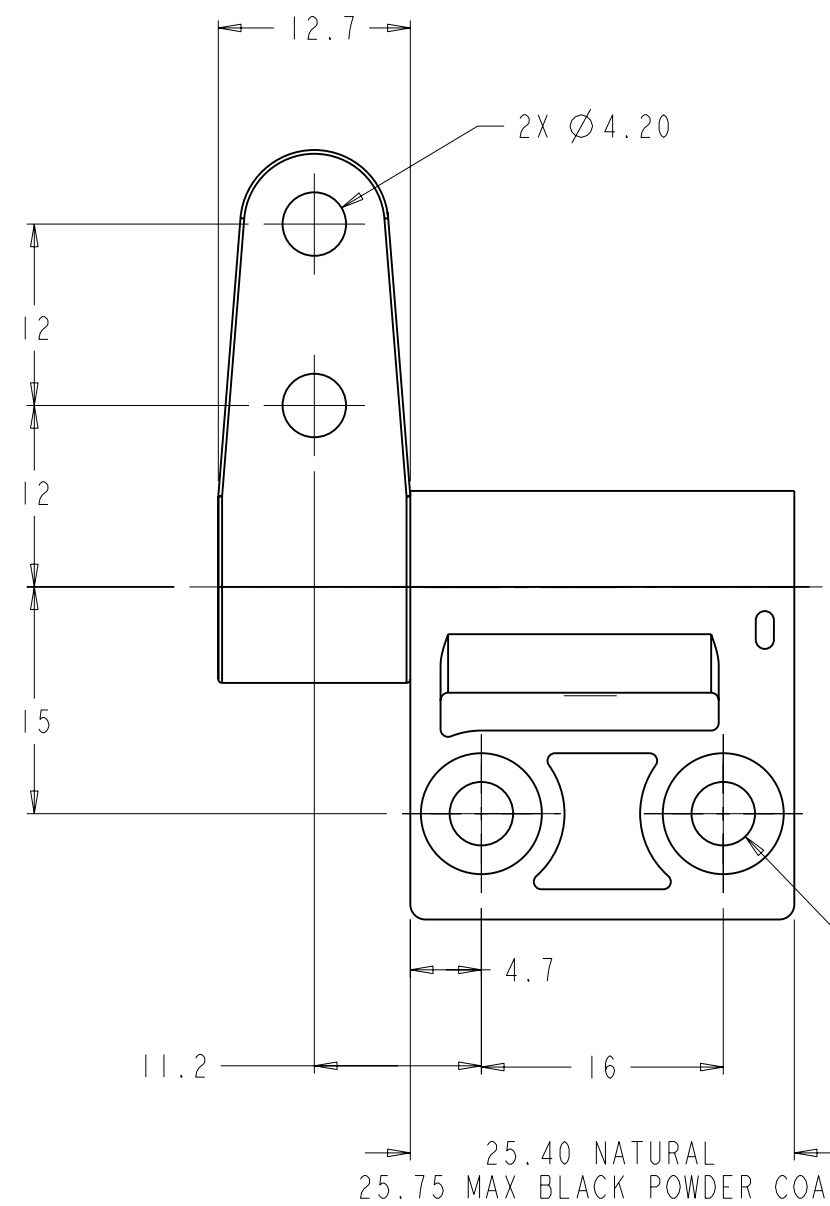
NOTES:

1. MATERIAL & FINISH:
 HOUSING AND ADAPTER - ZINC ALLOY,
 FOR FINISH SEE TABLE.
 SHAFT AND TORQUE ELEMENTS - HARDENED STEEL
2. INSTALL HINGE USING A No. 8 OR M4 SOCKET HEAD CAP SCREW
3. FOR PROPER FUNCTION, ASSEMBLY MUST INCLUDE
 (1) TYPE "A" & (1) TYPE "B" HINGE

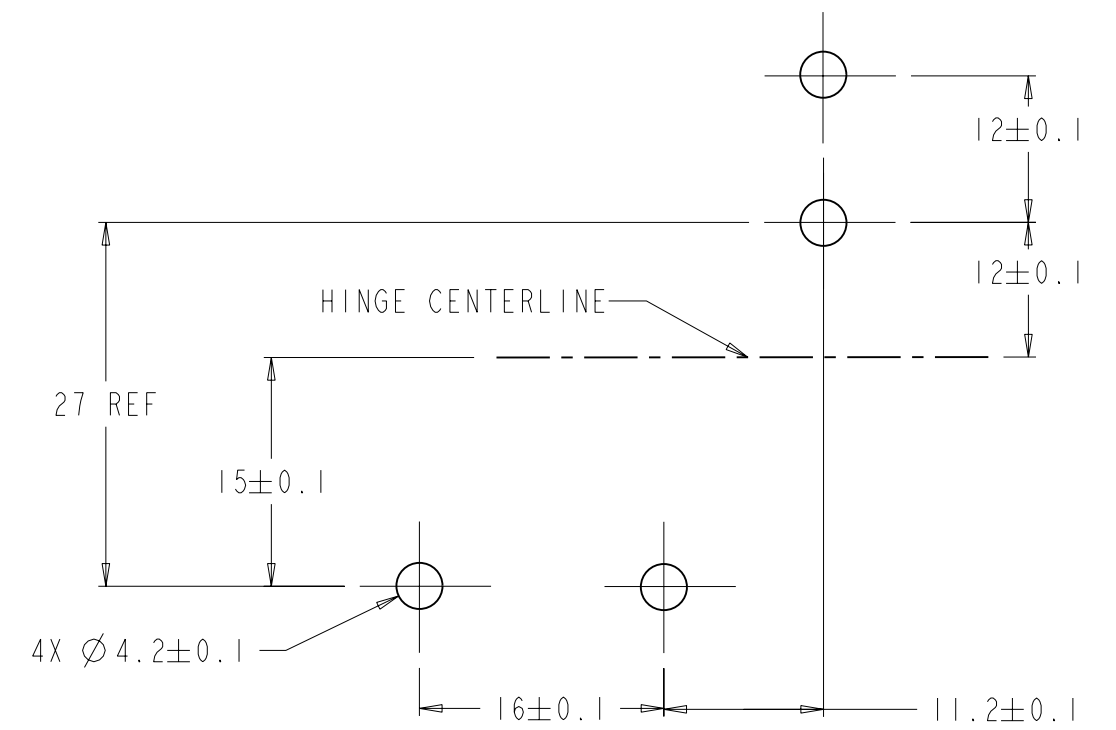


**TYPE B
 (SHOWN DIMENSIONED)**

TYPE A



- 2X Ø 4.20 NATURAL
- Ø 4.05 MIN BLACK POWDER COAT
- Ø 8.0 NATURAL
- 7.6 MIN BLACK POWDER COAT
- ∇ 4.2 BOTH SIDES



PANEL PREPARATION

PART NUMBER	DESCRIPTION	FINISH
ST-12A-XXXX-33	ASSEMBLY - AS CAST	NATURAL
ST-12A-XXXX-10	ASSEMBLY - COATED	WHITE POWDER COAT
ST-12A-XXXX-50	ASSEMBLY - COATED	BLACK POWDER COAT

PART NUMBER		STATIC TORQUE	
TYPE A	TYPE B	FORWARD (IN-LBF)	REVERSE (IN-LBF)
ST-12A-120SA-XX	ST-12A-120SB-XX	12	12
ST-12A-200SA-XX	ST-12A-200SB-XX	20	20
ST-12A-280SA-XX	ST-12A-280SB-XX	28	28
ST-12A-360SA-XX	ST-12A-360SB-XX	36	36
ST-12A-200FA-XX	ST-12A-200FB-XX	20	12*
ST-12A-280FA-XX	ST-12A-280FB-XX	28	16.8*
ST-12A-360FA-XX	ST-12A-360FB-XX	36	21.6*
ST-12A-440FA-XX	ST-12A-440FB-XX	44	26.4*
ST-12A-200RA-XX	ST-12A-200RB-XX	12*	20
ST-12A-280RA-XX	ST-12A-280RB-XX	16.8*	28
ST-12A-360RA-XX	ST-12A-360RB-XX	21.6*	36
ST-12A-440RA-XX	ST-12A-440RB-XX	26.4*	44

*TOLERANCE IN LOW TORQUE DIRECTION ±30%

ALL DIMENSIONS
 ARE IN MILLIMETERS
 ALL DIMENSIONS
 WITHOUT
 TOLERANCES
 ARE FOR
 REFERENCE
 ONLY

southco®

DESIGNED BY AS 10FEB06
 APPROVED BY JM 10FEB06

MODEL NAME ST127-R
 SCALE 2.000

3.2 ALL SURFACES EXCEPT AS NOTED

TITLE ST-12A HINGE ASSEMBLY	
DWG No J-ST-12A	REVISION D
MATERIAL AS NOTED	
CALC. WEIGHT	FORMAT C