

6

5

4

3

2

1

MATERIAL AND FINISH

Insulator: Polycarbonate, UL-94V-0 rated  
Contacts: Brass, Nickel plated

ELECTRICAL SPECIFICATIONS:

Current rating: 10 A  
Voltage rating: 250 VAC  
Insulation resistance: 100 Mohm min. at 500 VDC  
Dielectric withstanding voltage: 2000 VAC for one minute

ORDERING CODE:

42R35-3  $\frac{2}{1}$   $\frac{2}{2}$  -  $\frac{3}{3}$

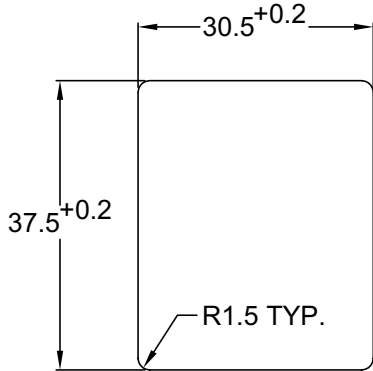
- 1) COLOR  
1 = BLACK  
2 = GRAY

2) ELECTRICAL CIRCUIT CONFIGURATION

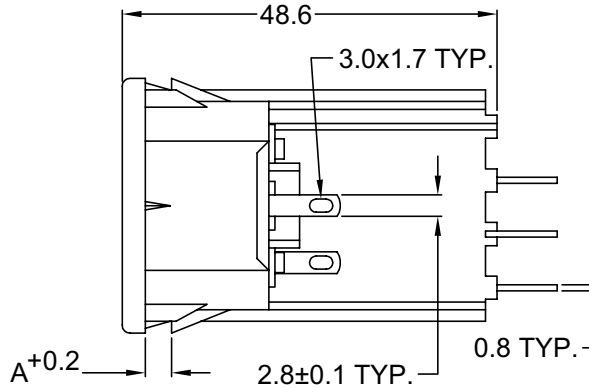
- 1 = 10A 250V 70°C  
2+GROUND 1 FUSE
- 2 = 10A 250V 70°C  
2+GROUND 2 FUSE
- 4 = 10A 250V 120°C  
2+GROUND 2 FUSE
- 5 = 10A 250V 70°C  
2 - 1 FUSE
- 6 = 10A 250V 70°C  
2 - 2 FUSE

3) PANEL THICKNESS

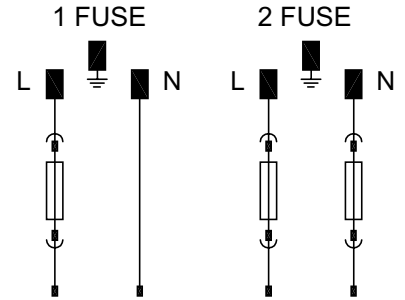
P/N	A	MAX. PANEL THICKNESS
42R35-3X2X-150	1.5	1.5
42R35-3X2X-200	2.0	2.0
ADDITIONAL PANEL THICKNESS AVAILABLE ON REQUEST		



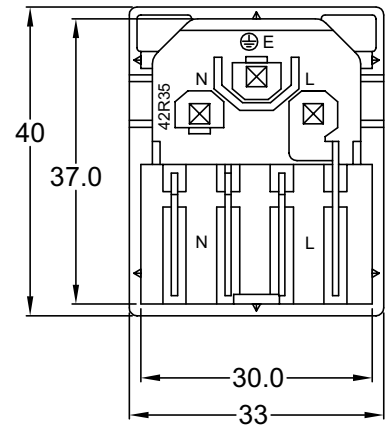
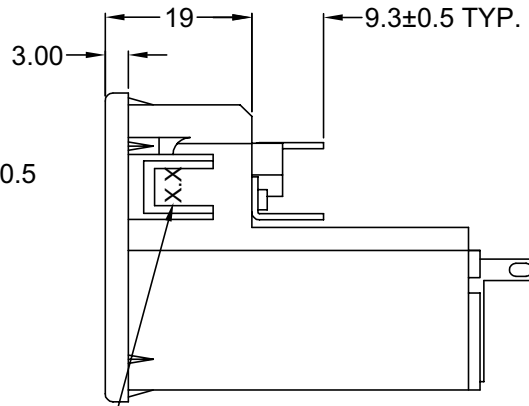
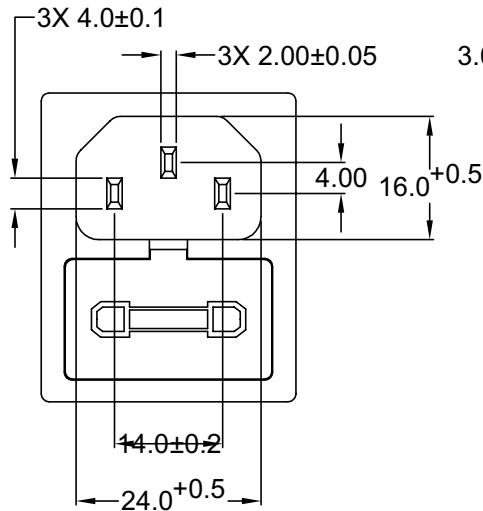
RECOMMENDED PANEL CUTOUT



REPLACE WITH CORRESPONDING PANEL THICKNESS



CIRCUIT



REVISIONS	CHNG	CHECK	APPR
	REV	DATE	
	CHANGE		

TOLERANCE UNLESS OTHERWISE SPECIFIED	
X	± 1
X.X	± 0.4
X.XX	± 0.20

DRAWN BY	GQ	DATE:	09/18/01
CHECK BY	TD	DATE:	09/19/01
APPR BY	PB	DATE:	09/19/01

**Power Dynamics, Inc.**  
Phone: 973 560-0019 Whippany, New Jersey Fax: 973 560-0076

PART: IEC 60320 COMBINATION FUSE HOLDER  
APPL. INLET, SOLDER TERMINALS; SNAP-IN

PART #: <b>42R35-3X2X-XXX</b>		SHEET 1 of 1
SIZE: A	SCALE: NTS	ALL DIMENSIONS FOR REFERENCE ONLY DIMENSIONS ARE IN MILLIMETERS
REV:		

6

5

4

3

2

1

6

5

4

3

2

1

MATERIAL AND FINISH

Insulator: Polycarbonate, UL-94V-0 rated  
Contacts: Brass, Nickel plated

ELECTRICAL SPECIFICATIONS:

Current rating: 10 A  
Voltage rating: 250 VAC  
Insulation resistance: 100 Mohm min. at 500 VDC  
Dielectric withstanding voltage: 2000 VAC for one minute

ORDERING CODE:

42R35-3 5 - 1 2 3

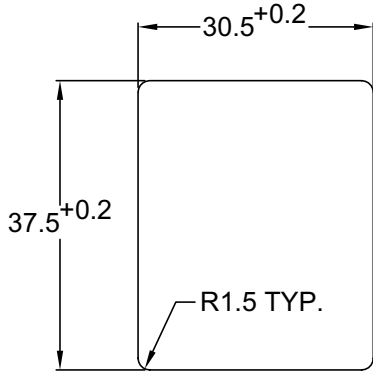
- 1) COLOR  
1 = BLACK  
2 = GRAY

2) ELECTRICAL CIRCUIT CONFIGURATION

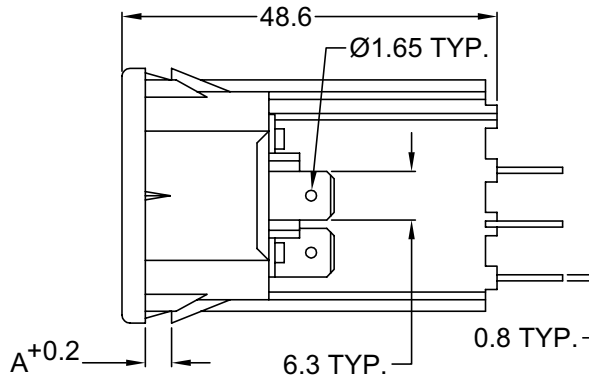
- 1 = 10A 250V 70°C  
2+GROUND 1 FUSE
- 2 = 10A 250V 70°C  
2+GROUND 2 FUSE
- 4 = 10A 250V 120°C  
2+GROUND 2 FUSE
- 5 = 10A 250V 70°C  
2 - 1 FUSE
- 6 = 10A 250V 70°C  
2 - 2 FUSE

3) PANEL THICKNESS

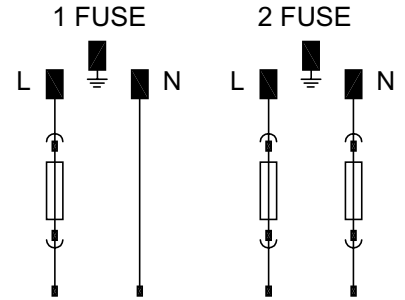
P/N	A	MAX. PANEL THICKNESS
42R35-3X5X-150	1.5	1.5
42R35-3X5X-200	2.0	2.0
ADDITIONAL PANEL THICKNESS AVAILABLE ON REQUEST		



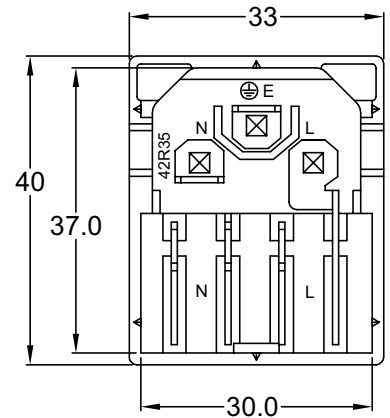
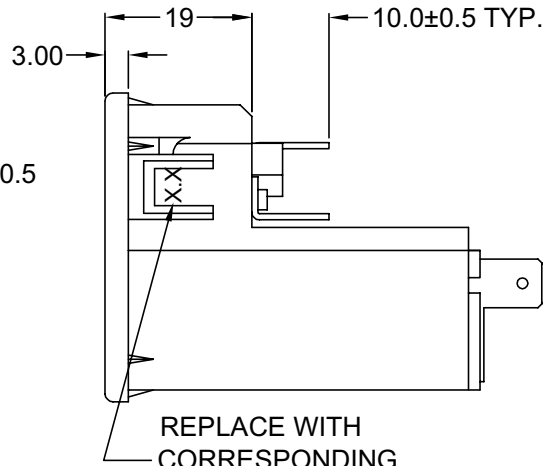
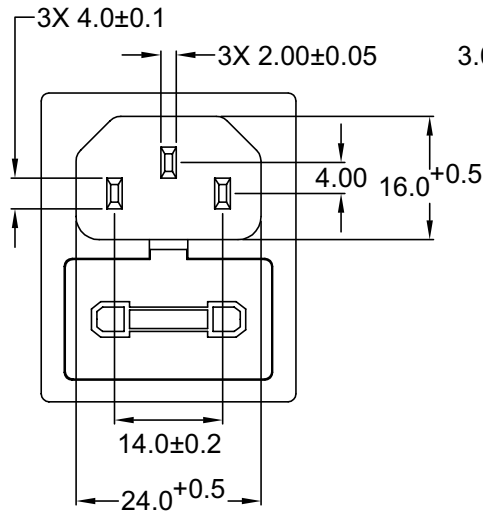
RECOMMENDED PANEL CUTOUT



REPLACE WITH CORRESPONDING PANEL THICKNESS



CIRCUIT



REVISIONS	CHNG	CHECK	APPR
	DATE	CHANGE	

TOLERANCE UNLESS OTHERWISE SPECIFIED			
	X	±	1
	X.X	±	0.4
	X.XX	±	0.20
DRAWN BY	GQ	DATE:	09/18/01
CHECK BY	TD	DATE:	09/19/01
APPR BY	PB	DATE:	09/19/01

**Power Dynamics, Inc.**  
Phone: 973 560-0019 Whippany, New Jersey Fax: 973 560-0076

PART: IEC 60320 COMBINATION FUSE HOLDER  
APPL. INLET; QC TERMINALS; SNAP-IN

PART #: 42R35-3X5X-XXX		SHEET 1 of 1
SIZE: A	SCALE: NTS	ALL DIMENSIONS FOR REFERENCE ONLY DIMENSIONS ARE IN MILLIMETERS
REV:		

6

5

4

3

2

1