

NOTES

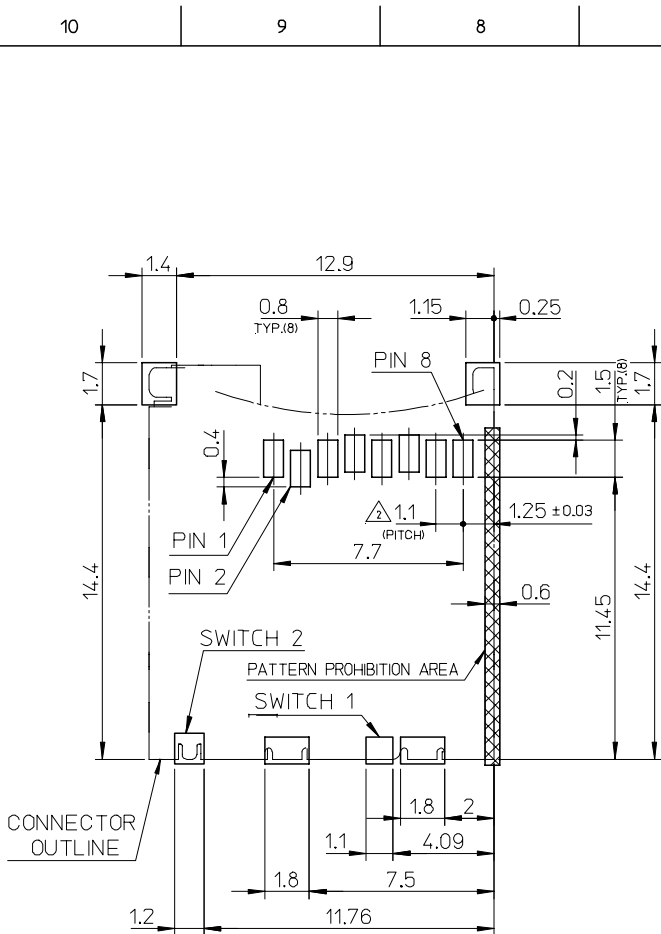
- ターミナル及びネールの平坦度は 0.1 MAX.
TERMINAL AND NAIL COPLANARITY TO BE 0.1 MAX.
- 公差非累積
TOLERANCE : NON-CUMULATIVE

カード位置状態 CARD INSERTION STATE	ディテクト スイッチ DETECT SWITCH
カード排出位置 CARD DASHING OUT POSITION	オープン OPEN
カードロック位置 CARD LOCK POSITION	クローズ CLOSE
カード押し込み位置 CARD PUSH POSITION	クローズ CLOSE

- ROHS COMPLIANT

EMBOSSED TAPE	501588-0804	501588-08**
CONNECTOR ONLY	501588-0806	
PACKAGE	MATERIAL NO.	MODEL NO.

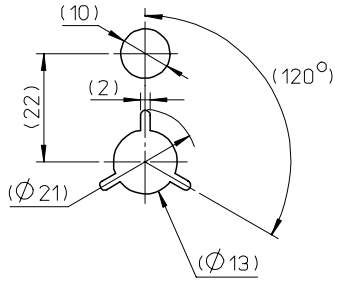
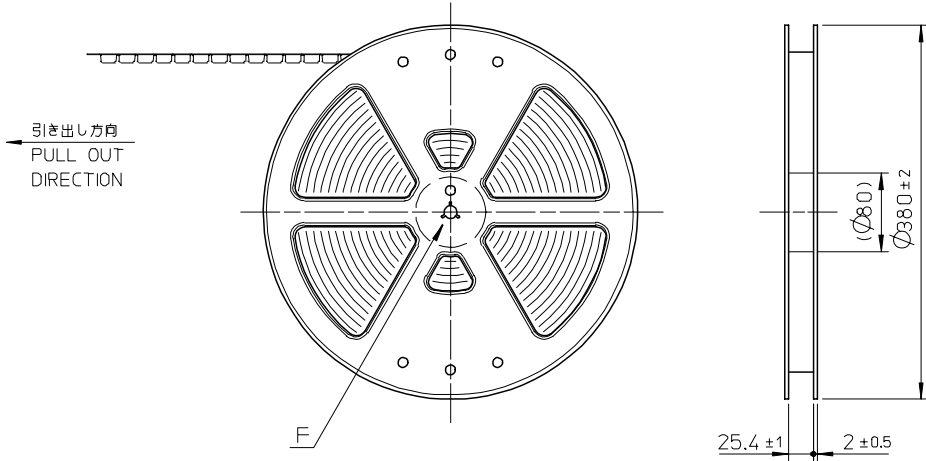
RELEASED EC NO: J2007-0426 DRWN: SMARUYAMA 2006/08/10 CHKD: SMARUYAMA 2006/08/11 APPR: YOITO 2006/08/21 REV 0	GENERAL TOLERANCES (UNLESS SPECIFIED)		SCALE 5:1	DESIGN UNITS METRIC	THIRD ANGLE PROJECTION	REVISE ON CAD ONLY
	10 UNDER	± 0.2	DIMENSION STYLE MM ONLY		TITLE TFR CARD CONN. WITH DETECT SWITCH ASS'Y -LEAD FREE- MOLEX MOLEX INCORPORATED	
	10 OVER 30 UNDER	± 0.25	DRAWN BY S.MARUYAMA	DATE 2006/7/19		
	30 OVER	± 0.3	CHECKED BY S.MARUYAMA	DATE 2006/7/19		
	ANGULAR	± ° 1	APPROVED BY S.ICHIKAWA	DATE 2006/7/19	MATERIAL NO. SEE CHART	DOCUMENT NO. SD-501588-005
DRAFT WHERE APPLICABLE MUST REMAIN WITHIN DIMENSIONS			THIS DRAWING CONTAINS INFORMATION THAT IS PROPRIETARY TO MOLEX INCORPORATED AND SHOULD NOT BE USED WITHOUT WRITTEN PERMISSION			



RECOMMENDED
PCB PATTERN LAYOUT
(GENERAL TOLERANCE : ± 0.05)

PARTS	QTY	MATERIAL	FINISH
ハウジング HOUSING	1	ガラス入り耐熱樹脂 (LCP), UL94V-0 色 : 黒 HEAT RESISTANCE POLYMER (LCP), UL94V-0, BLACK	— / —
スライダークラム SLIDER CAM	1	ガラス入り耐熱樹脂 (LCP), UL94V-0 色 : 黒 HEAT RESISTANCE POLYMER (LCP), UL94V-0, BLACK	— / —
ターミナル TERMINAL	8	りん青銅 PHOSPHOR BRONZE	接点部 : 金メッキ 0.5 μm MIN. CONTACT AREA : GOLD 0.5 μm MIN. 下地 : ニッケルメッキ 2.0 μm MIN. UNDER PLATING : NICKEL 2.0 μm MIN. 半田付け部 : 錫メッキ 1.0 μm MIN. SOLDER AREA : TIN 1.0 μm MIN.
ディテクトターミナル DETECT TERMINAL	1	ベリリウム銅 BERYLLIUM COPPER	接点部 : 金メッキ 0.5 μm MIN. CONTACT AREA : GOLD 0.5 μm MIN. 下地 : ニッケルメッキ 2.0 μm MIN. UNDER PLATING : NICKEL 2.0 μm MIN. 半田付け部 : 錫メッキ 1.0 μm MIN. SOLDER AREA : TIN 1.0 μm MIN.
ディテクトネイル DETECT NAIL	1	りん青銅 PHOSPHOR BRONZE	接点部 : 金メッキ 0.5 μm MIN. CONTACT AREA : GOLD 0.5 μm MIN. 下地 : ニッケルメッキ 2.0 μm MIN. UNDER PLATING : NICKEL 2.0 μm MIN. 半田付け部 : 錫メッキ 1.0 μm MIN. SOLDER AREA : TIN 1.0 μm MIN.
メタルカバー METAL COVER	1	ステンレス鋼 STAINLESS STEEL	全面 : ニッケルメッキ 1.0 μm MIN. ALLOVER : NICKEL 1.0 μm MIN.
ピン PIN	1	ステンレス鋼 STAINLESS STEEL	— / —
スプリング SPRING	1	ピアノ線 SWP	全面 : ニッケルメッキ ALLOVER : NICKEL

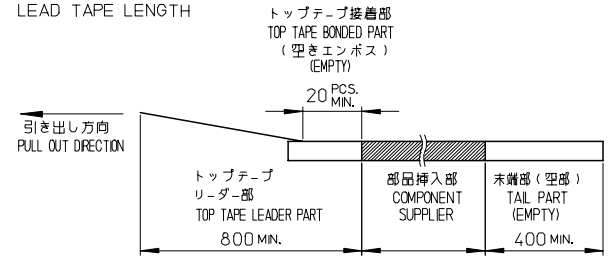
RELEASED EC NO: J2007-0426 DRWN: SMARUYAMA 2006/08/10 CHKD: SMARUYAMA 2006/08/11 APPR: YOITO 2006/08/21 REV 0	GENERAL TOLERANCES (UNLESS SPECIFIED)		SCALE 5:1	DESIGN UNITS METRIC	501588-08**	MODEL NO.
	10 UNDER	± 0.2	DIMENSION STYLE MM ONLY		THIRD ANGLE PROJECTION	
	10 OVER 30 UNDER	± 0.25	DRAWN BY DATE		REVISE ON CAD ONLY	
	30 OVER	± 0.3	S.MARUYAMA 2006/7/19		TITLE	
	ANGULAR	± ° 1	CHECKED BY DATE		TFR CARD CONN. WITH DETECT SWITCH ASS'Y -LEAD FREE-	
DRAFT WHERE APPLICABLE MUST REMAIN WITHIN DIMENSIONS		APPROVED BY DATE		MOLEX INCORPORATED		
		S.ICHIKAW 2006/7/19		MATERIAL NO.	DOCUMENT NO.	SHEET NO.
		THIS DRAWING CONTAINS INFORMATION THAT IS PROPRIETARY TO MOLEX INCORPORATED AND SHOULD NOT BE USED WITHOUT WRITTEN PERMISSION		SEE CHART	SD-501588-005	2 OF 2



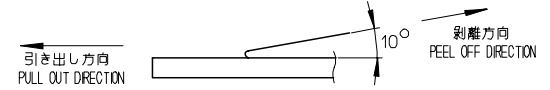
DETAIL F

NOTES

- 製品(501588-0806)の詳細寸法については、
図面番号SD-501588-005をご参照下さい。
IN THE PACKAGE, PART NO. 501588-0806 DETAILED DIMENSIONS,
REFER TO SALES DRAWING NO. SD-501588-005.
- 梱包数量 : 1400個/リール
NUMBER OF CONNECTORS : 1400 PCS/REEL
- リードテープ長さ
LEAD TAPE LENGTH



- トップテープの剥離強度 : 0.1~1.3N (10.2~130gf) (剥離方向は下図参照)
尚、本規格値は、出荷時に適用。(但し、輸送時に剥離が発生しない事。)
PEELING OFF FORCE OF TOP TAPE : 0.1~1.3N (10.2~130gf)
(PEELING DIRECTION AS SHOWN IN FOLLOWING FIG.)
THIS REQUIREMENT SHOULD BE APPLIED AT SHIPMENT.
(PEEL OFF SHOULD NOT BE ALLOWED, DURING TRANSPORTATION.)



- 材料
キャリアテープ : ポリスチレン (PS)
トップテープ : PET, PE, PEF
リール : ポリスチレン (PS) <リサイクル材を含む>
MATERIAL
CARRIER TAPE : POLYSTYRENE (PS)
TOP TAPE : PET, PE, PEF
REEL : POLYSTYRENE (PS) <RECYCLE MATERIAL CONTAINED>

RELEASED EC NO: J2007-0426 DRWNG: MARUYAMA 2006/08/10 CHKD: MARUYAMA 2006/08/11 APPR: YOITO 2006/08/21	GENERAL TOLERANCES (UNLESS SPECIFIED)		DIMENSION STYLE MM ONLY		SCALE ---	DESIGN UNITS METRIC	THIRD ANGLE PROJECTION	
	10 UNDER	±0.2	DRAWN BY S. MARUYAMA	DATE 2006/7/19	TITLE TFR CARD CONN. EMBOSSED TAPE PACKAGE -LEAD FREE- MOLEX INCORPORATED			
	10 OVER 30 UNDER	±0.25	CHECKED BY S. MARUYAMA	DATE 2006/7/19				
	30 OVER	±0.3	APPROVED BY S. ICHIKAWA	DATE 2006/7/19				
	ANGULAR ±3 °		MATERIAL NO. 501588-0804		DOCUMENT NO. SD-501588-006		SHEET NO. 1 OF 2	
DRAFT WHERE APPLICABLE MUST REMAIN WITHIN DIMENSIONS		SIZE A3 THIS DRAWING CONTAINS INFORMATION THAT IS PROPRIETARY TO MOLEX INCORPORATED AND SHOULD NOT BE USED WITHOUT WRITTEN PERMISSION						

10 9 8 7 6 5 4 3 2 1

F

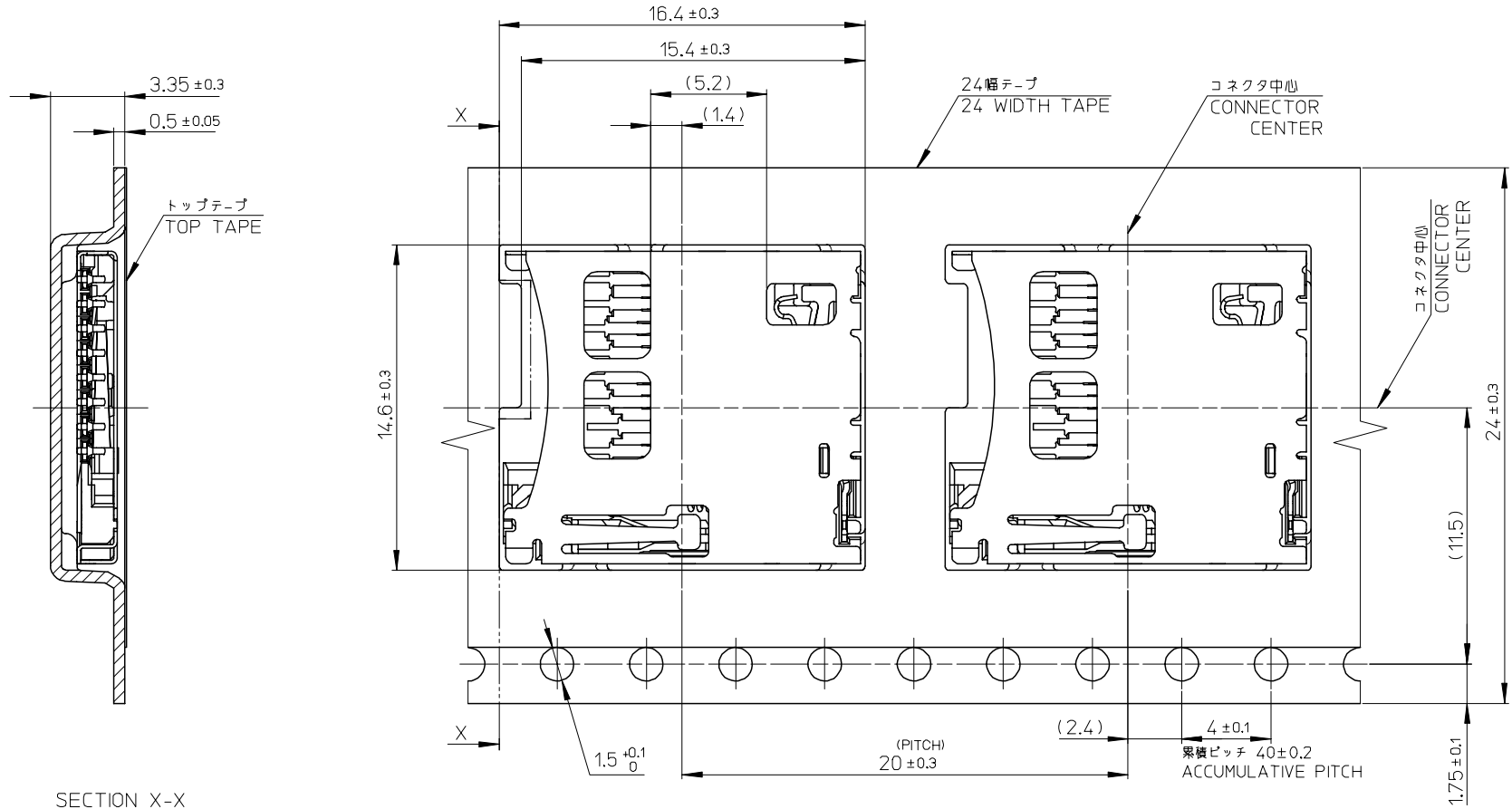
E

D

C

B

A



SECTION X-X

RELEASED EC NO: J2007-0426 DRWNS: MARUYAMA 2006/08/10 CHKD: MARUYAMA 2006/08/11 APPR: Y01TO 2006/08/21	GENERAL TOLERANCES (UNLESS SPECIFIED)		DIMENSION STYLE MM ONLY		SCALE ---	DESIGN UNITS METRIC	THIRD ANGLE PROJECTION	
	10 UNDER	± 0.2	DRAWN BY S. MARUYAMA	DATE 2006/7/19	TITLE TFR CARD CONN. EMBOSSED TAPE PACKAGE -LEAD FREE- MOLEX INCORPORATED			
	10 OVER 30 UNDER	± 0.25	CHECKED BY S. MARUYAMA	DATE 2006/7/19				
	30 OVER	± 0.3	APPROVED BY S. ICHIKAWA	DATE 2006/7/19				
	ANGULAR ± 3 °		DRAFT WHERE APPLICABLE MUST REMAIN WITHIN DIMENSIONS		MATERIAL NO. 501588-0804	DOCUMENT NO. SD-501588-006	SHEET NO. 2 OF 2	
SIZE A3 THIS DRAWING CONTAINS INFORMATION THAT IS PROPRIETARY TO MOLEX INCORPORATED AND SHOULD NOT BE USED WITHOUT WRITTEN PERMISSION								