

- 3 and 4 pole
- On load 20A - 80A
- Interlocked enclosure lid
- Red/yellow enclosure
- 3 padlock positions
- IP65 enclosure
- Side mounted auxiliary contacts



### Options and ordering codes

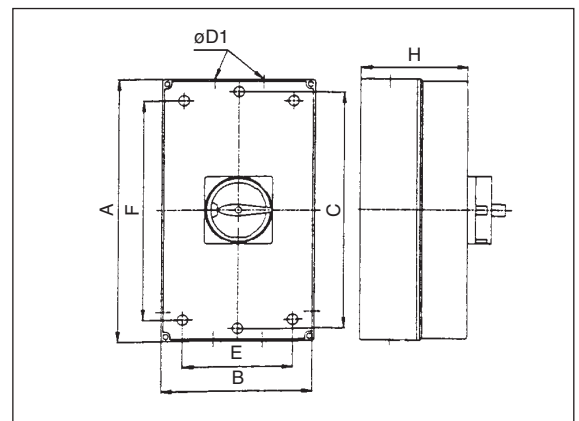
Rating @ 400V		3 Pole	4 Pole
AC21 / Amps	AC23 / kW	Product	Product
20	5.5	PE69-3020	PE69-4020
25	7.5	PE69-3025	PE69-4025
32	11	PE69-3032	PE69-4032
40	15	PE69-3040	PE69-4040
63	18.5	PE69-3063	PE69-4063
80	22	PE69-3080	PE69-4080

### Accessories

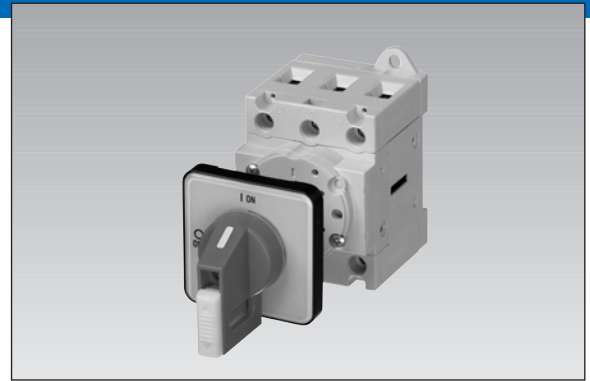
Description	Part ref
Auxiliary contacts 1 n/o + 1 n/c	A69-0001

### Dimensions

Switch Rating	A	B	D1	E	F	H
20A to 40A	130	98	2xM20/25	75	100	77
63A and 80A	180	110	M23/29	95	165	90



- 3 and 4 pole
- On load 20A - 80A
- Door interlocked handle
- Single hole fixing 22.5mm
- 3 padlock positions
- IP65
- DIN rail or base mounted
- Light weight ext shafts 100 - 400mm
- Side mounted auxiliary contacts
- UL approval

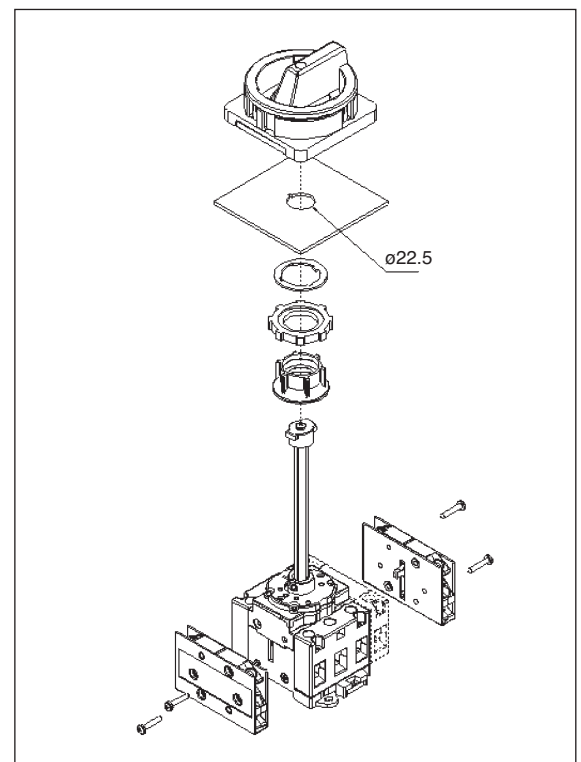


### Options and ordering codes

Rating @ 400V		3 Pole	4 Pole
AC21 / Amps	AC23 / kW	Product	Product
20	5.5	LB69-3020	LB69-4020
25	7.5	LB69-3025	LB69-4025
32	11	LB69-3032	LB69-4032
40	15	LB69-3040	LB69-4040
63	18.5	LB69-3063	LB69-4063
80	22	LB69-3080	LB69-4080

### Accessories

Description	Part ref
Red/yellow handle 64 x 64mm	H69-0001
Black handle 64 x 64mm	H69-0002
Red/Yellow handle 48 x 48mm	H69-0003
Black handle 48 x 48mm	H69-0004
Extension shaft - 100mm	E69-0001
Extension shaft - 200mm	E69-0002
Extension shaft - 300mm	E69-0003
Extension shaft - 400mm	E69-0004
Auxiliary contacts 1 n/o + 1 n/c	A69-0001
Solid neutral block	SN69-0001
Yellow plate - main switch	EP69-0001

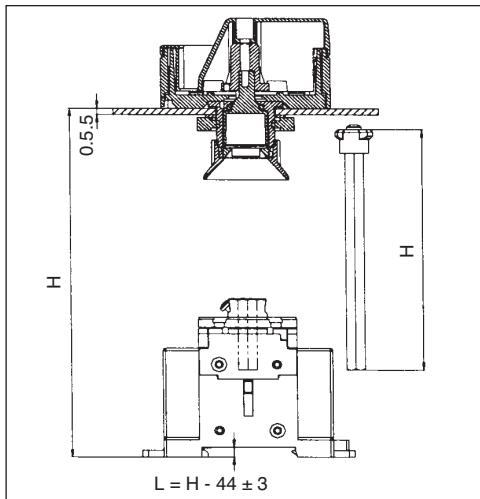


## Specification

		LB693020 LB694020	LB693025 LB694025	LB693032 LB694032	LB693040 LB694040	LB693063 LB694063	LB693080 LB694080	
Rated insulation voltage	<b>Ui</b>	690	690	690	690	690	690	
Rated thermal current	<b>Ith</b>	20A	25A	32A	40A	63A	80A	
Ratings @ 415V								
	AC21	<b>A</b>	20	25	32	40	63	80
	AC22	<b>A</b>	20	25	32	40	63	80
	AC23	<b>Kw</b>	5.5	7.5	11	15	18.5	22
Making capacity @ 415V	<b>Aeff</b>	120	150	220	300	370	440	
Breaking capacity @ 415V	<b>Aeff</b>	110	135	200	250	330	380	
Electrical life @ rated load								
Mechanical life	<b>x10<sup>3</sup></b>	100	100	100	100	100	100	
Maximum cable size	<b>mm<sup>2</sup></b>	10	10	10	10	25	25	
Weight	<b>g</b>	0.46	0.46	0.46	0.46	0.46	0.46	

## Dimensions

H = Base plate to door, L = shaft length



- X = H
- B = 48mm 3 pole, 62.5mm 4 pole
- B1 = 10mm
- B2 = 14.5mm
- G = 64mm

