

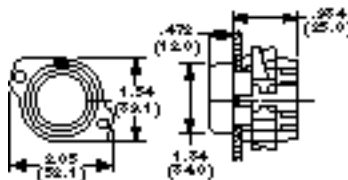
1 3/16" (30mm) Mounting Hole **Series 6000**

FLUSH GUARD MOMENTARY

Metal Bushing
 Replaces T6010
 Contact blocks not supplied, order separately. (See page H8.)

Model	Special Details
M6010(*)	Momentary

(*) Specify color by adding suffix number:
 (0) Black, (2) Red, (4) Yellow, (5) Green, (6) Blue, (9) White.



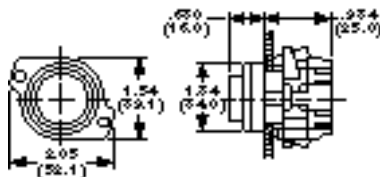
M60102

EXTENDED BUTTON MOMENTARY

Metal Bushing
 Replaces T6020
 Contact blocks not supplied, order separately. (See page H8.)

Model	Special Details
M6020(*)	Momentary

(*) Specify color by adding suffix number:
 (0) Black, (2) Red, (4) Yellow, (5) Green, (6) Blue, (9) White.



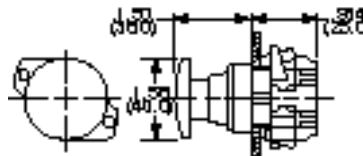
M60200

MUSHROOM HEAD MOMENTARY PUSH MAINTAINED

Metal Bushing
 Replaces T6020/M6050
 Contact blocks not supplied, order separately. (See page H8.)

Model	Special Details	Color
M6057(*)	Momentary	(*)
M60532	Push-Pull	Red
M60652	Push-Lock/Twist To Release	Red

(*) Specify color by adding suffix number:
 (0) Black, (2) Red, (3) Orange, (4) Yellow, (5) Green, (6) Blue, (9) White.

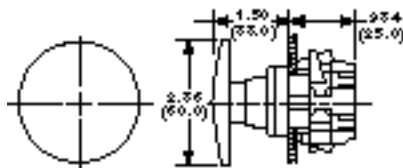


M60572

LARGE MUSHROOM HEAD MOMENTARY PUSH

Metal Bushing
 Replaces T6051/M6051
 Contact blocks not supplied, order separately. (See page H8.)

Model	Special Details	Color
M60582	Momentary	Red



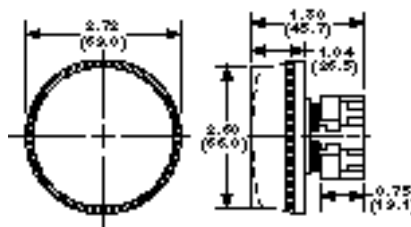
M60582

LARGE GUARDED MUSHROOM HEAD MOMENTARY PUSH

Metal Bushing. Heavy duty metal bushing and guard.
 Contact blocks not supplied, order separately. (See page H8.)

Model	Special Details
M6080(*)	Momentary

(*) Specify color by adding suffix number: (0) Black, (2) Red, (5) Green.



M60802

Need more technical information?

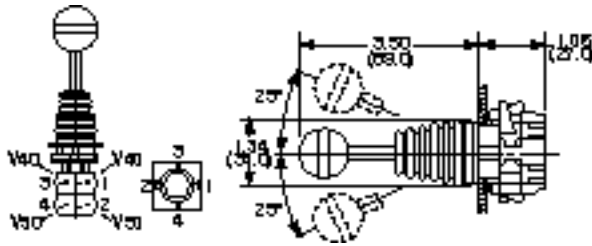
Contact your local ABE office--(800) 453-1692--or AboveBoardElectronics.com.

Above Board Electronics
 1918 Junction Avenue
 San Jose, CA 95131

Series 6000 *1-3/16" (30mm) Oil-Tight/Joystick/Selector/Keylock*



M6550



5-POSITION JOYSTICK (4 Active & Center-Off)

Metal Bushing

Maintained or momentary model with or without mechanical latch. Inherent design requires use of two N.O. and N.C. Contact blocks not supplied, order separately. (See page H8.) Supplied with legend plate (1-2-3-4), black knob.

CONTACT ARRANGEMENT

Contact blocks should be placed as shown. All contacts are held open in neutral position. Each number contact closed when activated. Model M6531- is similar to M65510, but has only two active positions, requires one N.O. and one N.C. contact block.

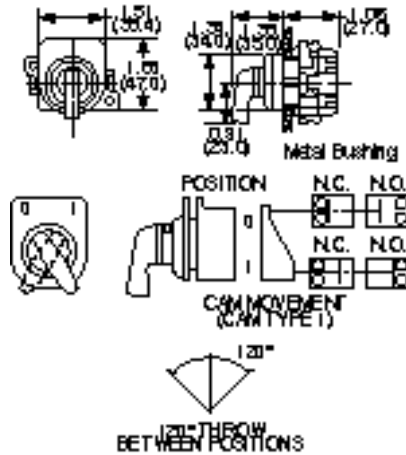
Note: All positions are mutually exclusive and action must pass through neutral for all changes of operator level.

Model	Action					
M65310	Momentary, No Latch	(On)	Off	(On)		
M65500	Maintained, No Latch	On	On	Off	On	On
M65510	Momentary, No Latch	(On)	(On)	Off	(On)	(On)
M65810	Momentary w/Latch	(On)	(On)	Off	(On)	(On)

(On) indicates momentary position.



M64022



2-POSITION SELECTOR MAINTAINED

Metal Bushing

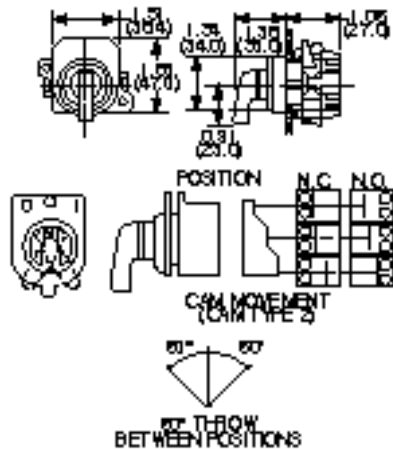
Contact blocks not supplied, order separately. (See page H8.) Legend plant included. Replaces T6402 Series.

Model	Action	Lever	Position Number
M6402(*)	Maintained	Long	0 1

(*) Specify color by adding suffix number: (0) Black, (2) Red.



M64120



3-POSITION SELECTOR MAINTAINED OR MOMENTARY

Metal Bushing

Contact blocks not supplied, order separately. (See page H8.) Legend plate included. Replaces T6400 Series.

Model	Action	Lever	Cam	Position Number
M6410(*)	Maintained	Long	2	2 0 1
M6412(*)	Maintained	Long	3	2 0 1
M6470(*)	Mom. 1 Side	Long	2	2 0 → 1
M6480(*)	Mom. 2 Sides	Long	2	2 → 0 → 1

(*) Specify color by adding suffix number: (0) Black, (2) Red.

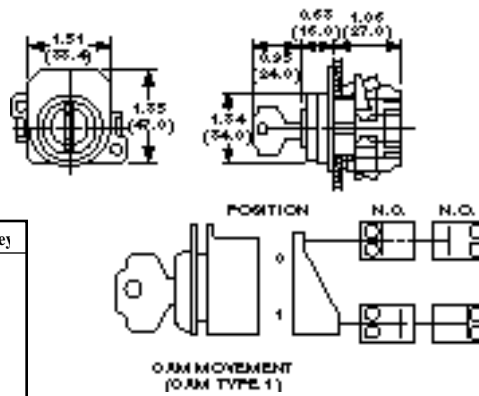
1-3/16" Oil-Tight/Selector/Keylock/Lighted Pushbutton Series 6000

2 POSITION KEY SELECTOR MAINTAINED OR MOMENTARY

Metal Bushing
Supplied with two keys and legend plate.
Contact blocks not supplied, order separately.
(See page H8) Replaces T6200 Series.

Model	Action	Cam	Position Number	Throw	Remove Key
M6200	Maintained	1	0	60°	⊙
M6201	Maintained	1	0	60°	⊙
M6202	Maintained	1	0	120°	⊙
M6250	Momentary	1	0	60°	⊙
G001	Additional Keys				

➔ Indicates momentary return position



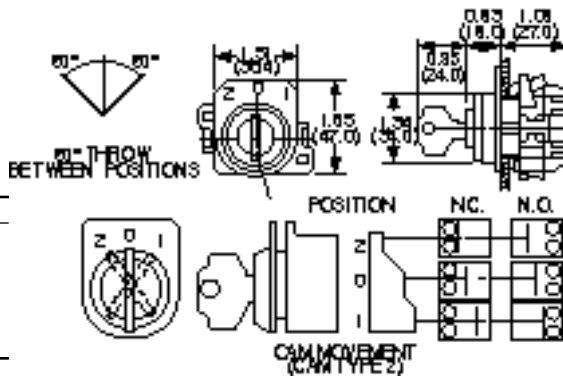
M6200

3 POSITION KEY SELECTOR MAINTAINED OR MOMENTARY

Metal Bushing
Supplied with two keys and legend plate.
Contact blocks not supplied, order separately.
(See page H8.) Replaces T6200 Series.

Model	Action	Cam	Position Number	Remove Key
M6210	Maintained	2	2 0	⊙
M6270	Mom. 1 Side	2	2 0 ➔	⊙
M6280	Mom. 2 Sides	2	2 ➔ 0 ➔	⊙
G001	Additional Keys			

➔ Indicates momentary return position



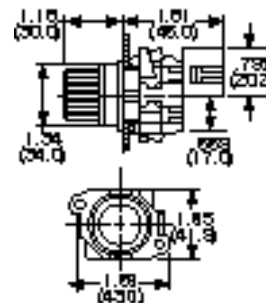
M6270

ILLUMINATED EXTENDED BUTTON MOMENTARY

Metal Bushing
Lamp not supplied, order separately. (See page H15.) Uses T31/4 miniature bayonet base lamps. Lamp circuit is isolated. Contact blocks not supplied, order separately. (See page H8) Replaces T6120.

Model	Special Details
M6120(*)406	Momentary

(*) Specify color by adding suffix number: (2) Red, (4) Yellow, (5) Green, (9) White.



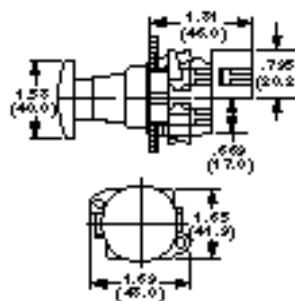
M61202406

ILLUMINATED MUSHROOM MAINTAINED OR MOMENTARY

Metal Bushing
Contact block not supplied, order separately. (See page H8.)
Lamp not supplied, order separately. (See page H15.)
Uses miniature bayonet base lamps. Lamp circuit is isolated.
(Replaces T6150)

Model	Special Details
M6150(*)406	Momentary
M6153(*)406	Maintained, Push-Pull

(*) Specify color by adding suffix number: (2) Red, (4) Yellow, (5) Green, (9) White.



M61502406

Need more technical information?

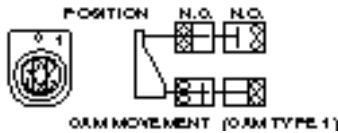
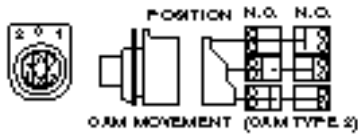
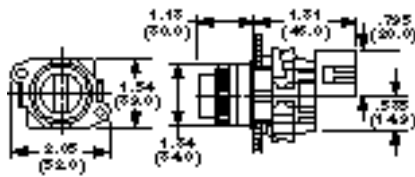
Contact your local ABE office--(800) 453-1692--or AboveBoardElectronics.com.

Above Board Electronics
1918 Junction Avenue
San Jose, CA 95131

Series 6000 1-3/16" Oil-Tight/Selector/Pilot Lights



M66502406



ILLUMINATED MAINTAINED SELECTOR

Metal Bushing

Lamp not supplied, order separately. (See page H15.) Uses G31/2 lamps. Lamp circuit is isolated. Replaces T6650, T6653

Model	Number Position	Action	Position Number	
M6650(*)406	2	Maintained	0	1
M6653(*)406	3	Maintained	2	0 1

(*) Specify color by adding suffix number: (2) Red, (4) Yellow, (5) Green.

KEY TO SELECTION OF CONTACT BLOCKS

Contact closure variations depend on the contact block models chosen. For these operators listed use this table for guidance in selecting blocks.

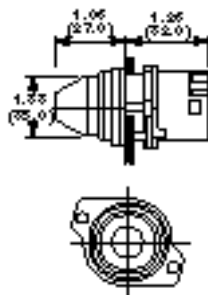
Model	Action	2-Position Operator		2-Position Operator	
V40 or F40	N.C.	O	1	1	0 2
V50 or F50	N.O.	X	O	X	O O
	Early	O	X	O	O X
VA0 or FA0	N.O.	O	X	O	X-X
	Make				
VR0 or FR0	N.C.	X	O	X-X	0
	Break				

O=Open
 X=Closed
 — = Early make closed before late break opens.
 X — X = Contact remains closed.



T66322460

U.L. Recognized



DOMED LENS PILOT

Thermoplastic Bushing

Lamp not supplied, order separately. (See page H15.) Uses G3 1/2 or T3 1/4 lamps. Maximum lamp dissipation 3 watts.

Model	Special Details
T6632(*)460	Domed Lens Pilot

(*) Specify color by adding suffix number: (2) Red, (4) Yellow, (5) Green, (6) Blue, (9) White.

When operating from line voltage use step down transformer 5B0 or neon lamp NE51HRZ. See page H15

Series 6000 and Reliant'22 Accessories

SEAL GASKET

Molded gasket with indexing keys and location/anti-rotation tab.

Model	Detail
P19813	Fits Series 6000 Only



P19813

COVER PLATES

For maximum dust protection for one or two contact blocks. Snaps on to end of all blocks in V and F group.

Model	Detail
P15973	One Block
P18096	Two Blocks



P15973

PANEL REINFORCEMENT PLATE

For use to prevent distortion of thin panels when mounting screws are tightened.

Model	Detail
P18822	Fits Reliant 22

Application Note: 22mm Opening



P18822

Lamps/Transformers Series 6000 and Reliant'22

LAMPS

The lamps with G31/2 bulbs fit all Reliant 22, Series 6000 illuminated operators and pilot lights. Lamps with T31/4 fit all Reliant 22 and Series 6000 illuminated models (except QM120, QM122, and M6650, and M6655).

Model	Bulb Volts	Rated Amps	Design	MSCP Rated Hours	Average
381	T13/4	6.3	.20	.40	50,000
382	T13/4	14	.08	.30	50,000
387	T13/4	28	.04	.30	25,000
1445	G31/2	14.4	.136	.70	2,000
755	T31/4	6.3	.15	.33	20,000
756	T31/4	14	.08	.31	15,000
757	T31/4	28	.08	.62	7,500
*NE51HR	T31/4	120	(Neon)	Bright	25,000
*NE51HRZ	T31/4	120	(Neon)	Ex. Bright	15,000

*Not recommended for use with green or blue lenses.



Application Note: For additional specifications, see page K10

STEP-DOWN TRANSFORMERS AC LINE TO 6V/6.3V

Snap mount on lighted operators and QM600, T6632 and RM600 pilot lights. Spade tipped leads connect to lamp terminals on operator. Screw terminals on primary. Use 6-6.3V lamps. 0-9 to 1.35 watts. Secondary winding is energy-limited.

Model	Primary Voltage
5B0	110-120 VAC
570	220-240 VAC



Panel Layouts

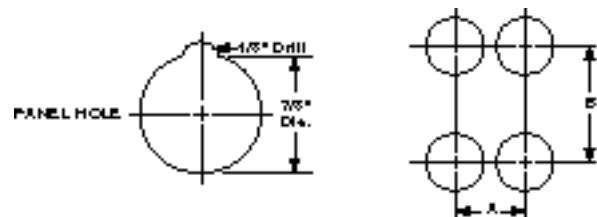
RELIANT'22 MINIATURE MODELS

Recommended hole mounting dimensions*

Minimum Center-To-Center Spacing
Inches/(mm)

Operator Type	A	B
Pushbuttons, Pilots	1.19/30.2	1.66/42.2
Mushroom, Selector	1.50/37.8	1.66/42.2
Others	1.94/49.3	1.94/49.3

*Check dimensions for layouts using legend plates.



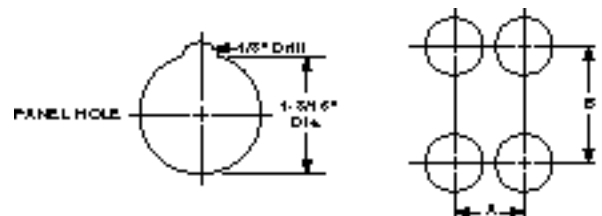
SERIES 6000 STANDARD MODELS

Recommended hole mounting dimensions*

Minimum Center-To-Center Spacing
Inches/(mm)

Operator Type	A	B
Pushbuttons, Pilots	1.88/47.8	1.97/50.0
Mushroom, Selector	2.25/57.2	2.25/57.2
Large Mushroom	3.00/76.2	3.00/76.2

*Check dimensions for layouts using legend plates.



Need more technical information?

Contact your local ABE office--(800) 453-1692--or AboveBoardElectronics.com.

Above Board Electronics
1918 Junction Avenue
San Jose, CA 95131

Legend Plates

SERIES 6000

MOLDED THERMOPLASTIC

Black with white hot stamped characters. Locating and indexing tabs molded in. Plate functions as sealing gasket. Blank plastic plate is model P18007. A blank aluminum plate with black anodized surface suitable for engraving is model P13086.

Single Legends

Model	Legend	Model	Legend
P10387	Start	P13191	Open
P13088	Stop	P15435	Hand
P13176	Emergency	P15436	Auto
P13183	Forward	P15437	High
P13184	Reverse	P15438	Low
P13185	Up	P15439	Cycle
P13186	Down	P15440	Run
P13188	Fast	P17996	On
P13189	Slow	P17997	Off

Multiple Legends For 2-Position Operators

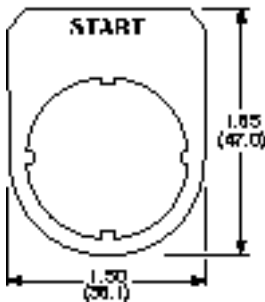
Model	2	Legend 0	1
P15517		Stop	Forward
P15518		Hand	Auto
P15520		Stop	Start
P15521		Reverse	Reverse
P15524	Stop	Forward	Forward
P15525	Hand	Auto	Auto
P15527	Stop	Start	Start
P15528	Forward	Reverse	Reverse

Multiple Legends For 3-Position Operators

Model	2	Legend 0	1
P155532	Shut	Off	Open
P155533	Slow	Stop	Fast
P155534	Forward	Stop	Reverse
P155535	Hand	Off	Auto
P155536	Up	Off	Auto
P155537	High	Off	Low



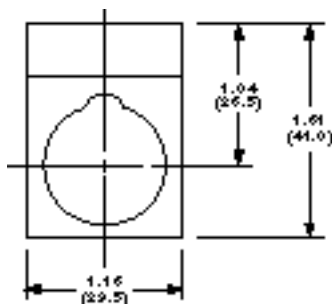
P10387



P15535

Blanks

P13086 (Metal); P18007 (Plastic, Molded)



SERIES 6000

LARGE MOLDED THERMOPLASTIC

Black with white hot stamped characters. Locating and indexing tabs molded in. Plate functions as sealing gasket. Model P20892

Single Legends

Model	Legend	Model	Legend
P21577	Forward	P21594	Slow
P21578	Reverse	P21595	Emergency Stop
P21579	On	P21596	Motor Run
P21580	Off	P21597	Motor Stop
P21581	Man	P21599	Cycle
P21582	Auto	P21600	Run
P21588	Up	P21602	Raise
P21589	Down	P21603	Lower
P21590	Open	P21605	Test
P21591	Close	P221606	Ready
P21593	Fast	P21608	Power On

Multiple Legends For 2-Position Operators

Model	0	Legend	1
P21636	Hand	Auto	Auto
P21639	Jog	Run	Run
P21641	Off	On	On
P21642	Open	Close	Close
P21644	Run	Jog	Jog
P21646	Slow	Fast	Fast

Multiple Legends For 3-Position Operators

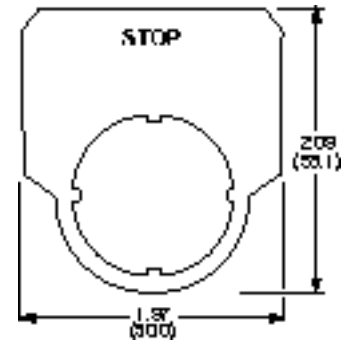
Model	2	Legend 0	1
P21653	Hand	Off	Auto
P21654	Off	Hand	Auto
P21656	Reverse	Off	Forward
P21658	Jog	Stop	Run
P21659	Off	On	Start
P21660	1	Off	2

Blanks

P20892 (Plastic, Molded)



P21584



RELIANT'22

MOLDED THERMOPLASTIC

Black with white hot stamped characters. Locating and indexing tabs, molded in. Plate functions as sealing gasket.

Model	Legend
P22850	(Blank, Black)
P22851	(Blank, Red)
P22921	
P22922	
P22929	Open
P22930	Close
Model	Legend
	L C R
P22924	Auto Man
P22928	Auto 0 Man
P2447	On Off