

LOC	DIST	REV	DATE	BY	APPD
GP	00				
		01	08NOV2002	RT	JJC
		02	10JUL2004	LS	JJC
		03	26AUG2004	LS	JJC
		A	14MAR2006	BC	GG

- 1 HOUSING: LCP, UL94V0, COLOR: BLACK.
CONTACT: PHOSPHOR BRONZE.
POST: BRASS WIRE
- 2 CONTACT: 1.27µm MIN. TIN-LEAD ON PCB TAIL
OVER 1.27µm MIN. NICKEL OVER ALL.
POST 1.27µm MIN NICKEL PLATED.
- 3 MANUFACTURING TOLERANCE FOR $\phi 0.46 \pm 0.05$
FINISHED HOLE WITH Sn Pb PLATING:

 DRILLED HOLE = $\phi 0.55 \pm 0.02$
 COPPER PLATING = 0.025-0.050
 Sn Pb PLATING = 0.0038-0.0124

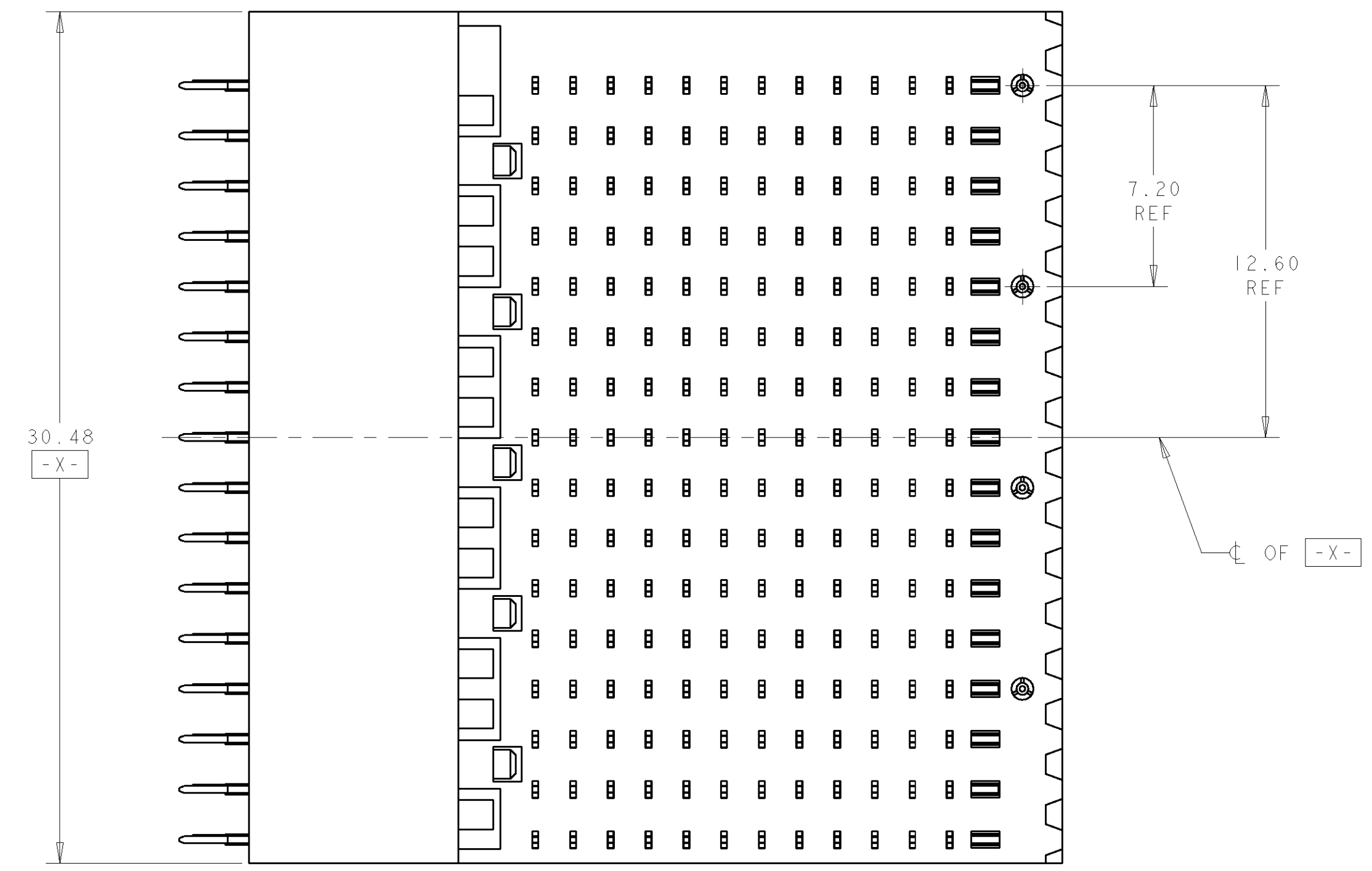
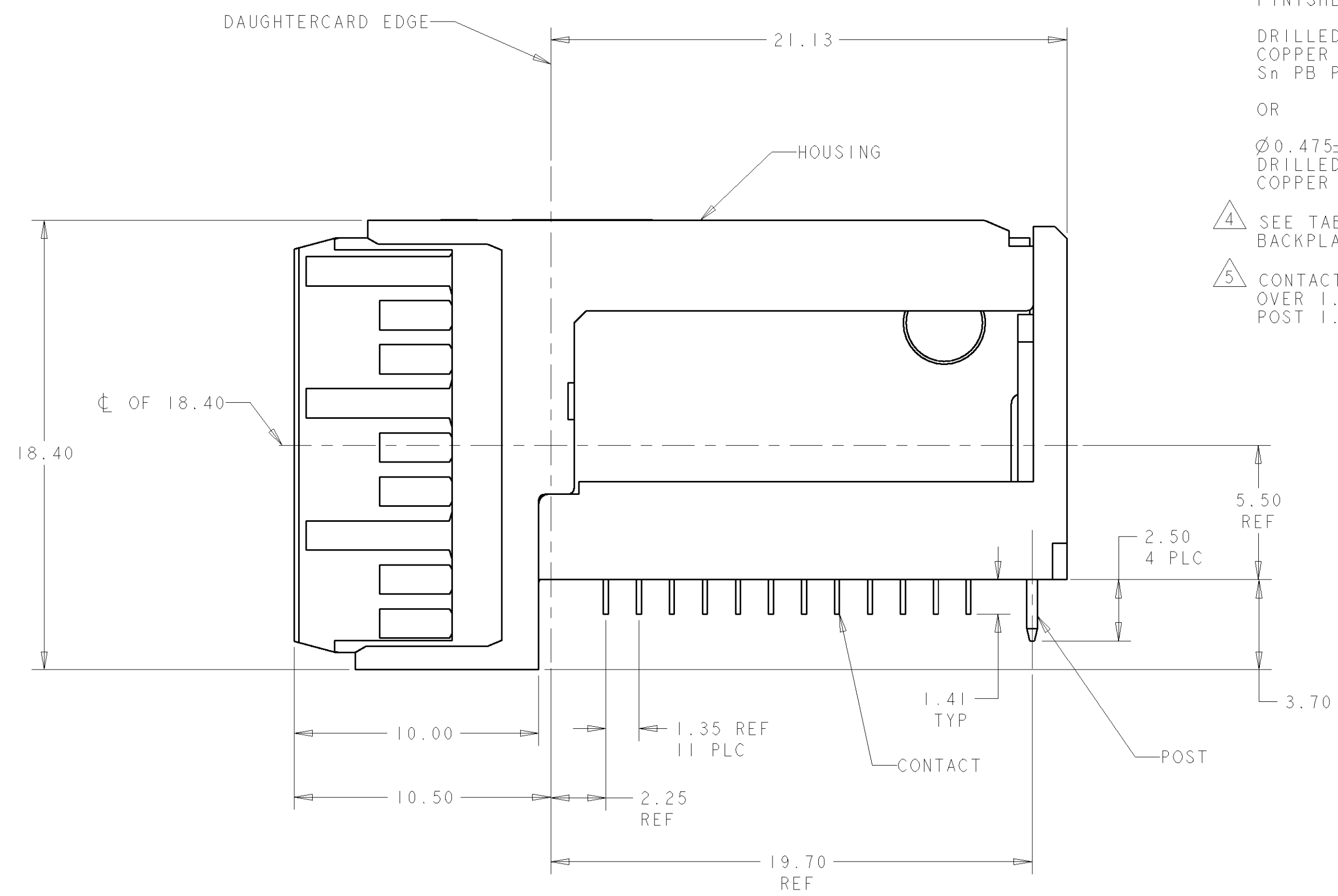
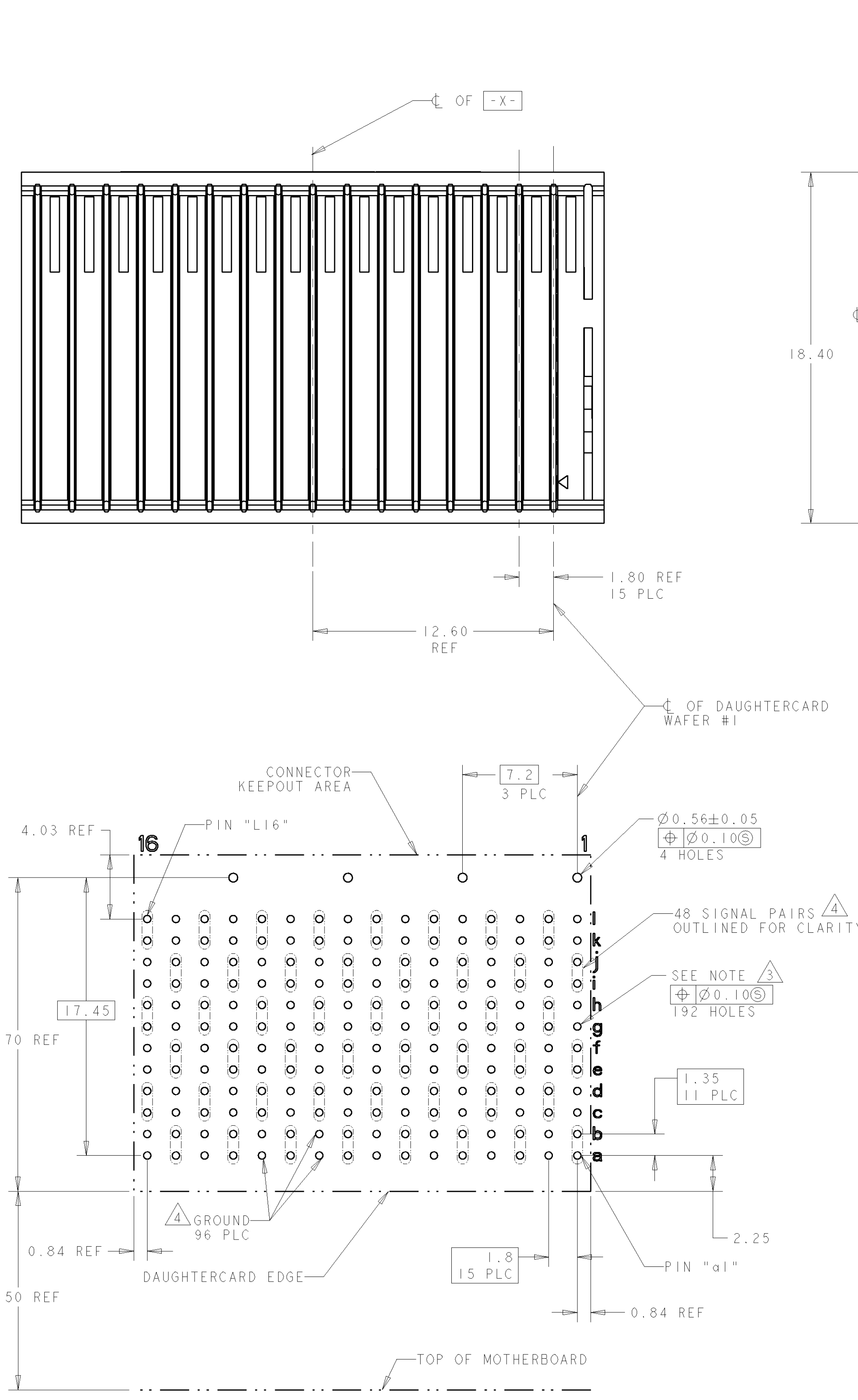
 OR
 $\phi 0.475 \pm 0.05$ FINISHED HOLE WITHOUT Sn Pb PLATING:
 DRILLED HOLE = $\phi 0.55 \pm 0.02$
 COPPER PLATING = 0.025-0.050
- 4 SEE TABLE 1 FOR INTERCONNECTIONS TO
BACKPLANE CONNECTOR.
- 5 CONTACT: 1.27µm MIN. TIN ON PCB TAIL
OVER 1.27µm MIN. NICKEL OVER ALL.
POST 1.27µm MIN NICKEL PLATED.

TABLE 1
INTERCONNECTIONS WITH BACKPLANE CONNECTOR 1410141

TYPICAL INTERCONNECTIONS FOR EACH EVEN-NUMBERED COLUMN (WAFER): 2, 4, 6, 8, 10, 12, 14, 16		
CONTACT USAGE	DAUGHTERCARD CONNECTOR PIN	BACKPLANE CONNECTOR PIN
SIGNAL PAIR	cx	bx
	dx	cx
SIGNAL PAIR	gx	ex
	hx	fx
SIGNAL PAIR	kx	hx
	lx	ix
GROUPS	ax, bx, ex, fx, ix, jx (ALL COMMONED)	ax, dx, gx

TYPICAL INTERCONNECTIONS FOR EACH ODD-NUMBERED COLUMN (WAFER): 1, 3, 5, 7, 9, 11, 13, 15		
CONTACT USAGE	DAUGHTERCARD CONNECTOR PIN	BACKPLANE CONNECTOR PIN
SIGNAL PAIR	ax	ax
	bx	bx
SIGNAL PAIR	ex	dx
	fx	ex
SIGNAL PAIR	ix	gx
	jx	hx
GROUPS	cx, dx, gx, hx, kx, lx (ALL COMMONED)	cx, fx, ix

NOTE: "x" DESIGNATES THE COLUMN NUMBER



PC BOARD LAYOUT (CONNECTOR SIDE)
SCALE 5:1

DIMENSIONS: mm		TOLERANCES UNLESS OTHERWISE SPECIFIED: 0 PLC ± 1 PLC ±0.5 2 PLC ±0.13 3 PLC ± 4 PLC ± ANGLES ±1°		DWN R. TREA 14NOV2002 CHK J. CONSOLI 18NOV2002 APD G. GRIFFITH 14MAR2006		1410138-2 1410138-1 PLATING PART NO	
MATERIAL: SEE TABLE		FINISH: SEE TABLE		TICO Electronics Harrisburg, PA 17105-3608		NAME: RIGHT-ANGLE PLUG ASSEMBLY LEFT END, 20.3mm, MultiGig RT2, DAUGHTERCARD CONNECTOR, DIFFERENTIAL	
WEIGHT: -		SIZE: 114-13056		CUSTOMER DRAWING		SCALE: 5:1 SHEET 1 OF 1 REV A	