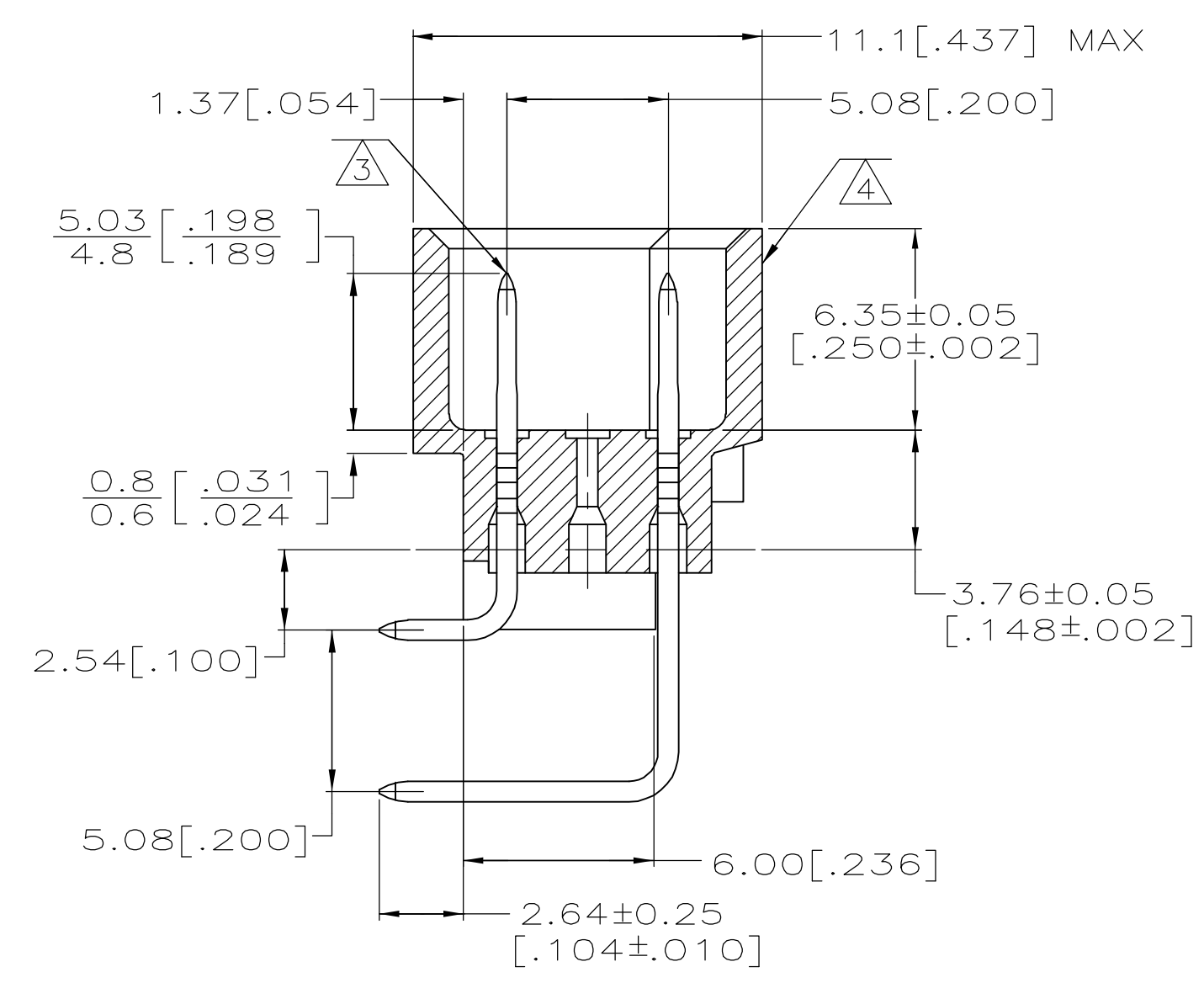
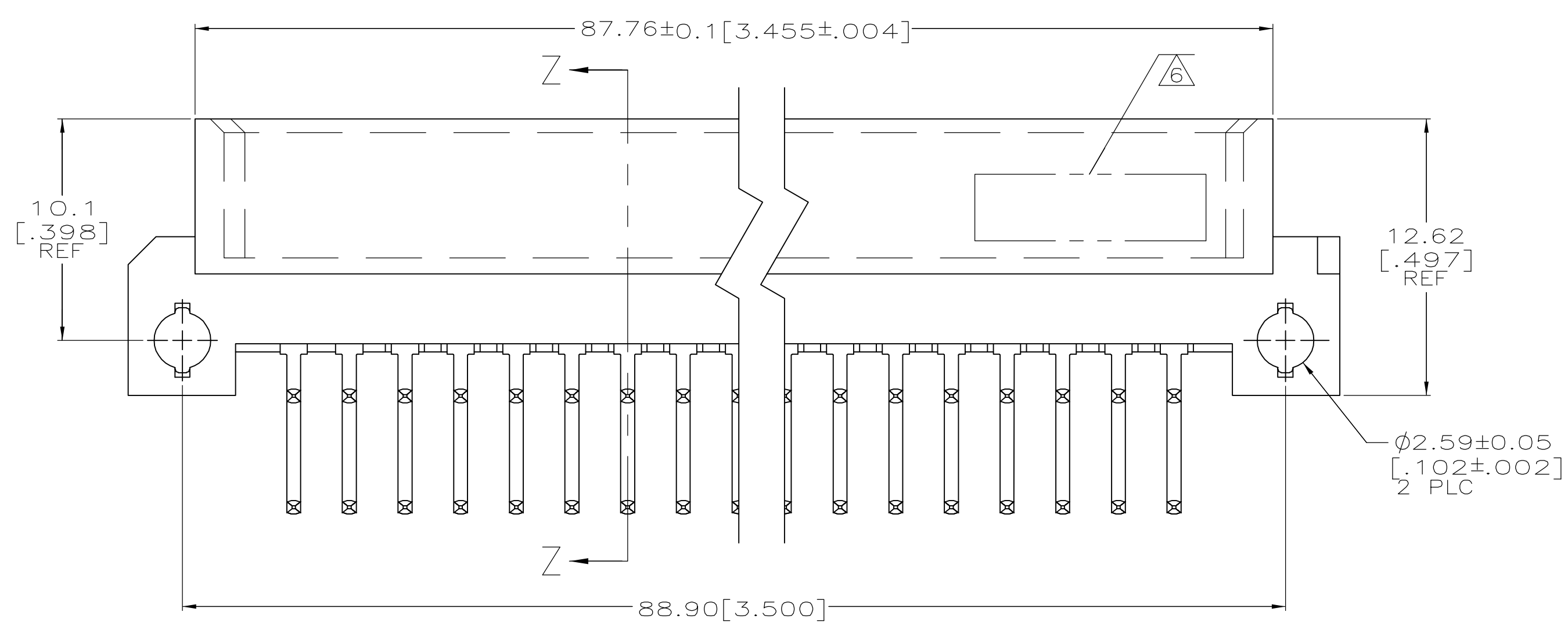
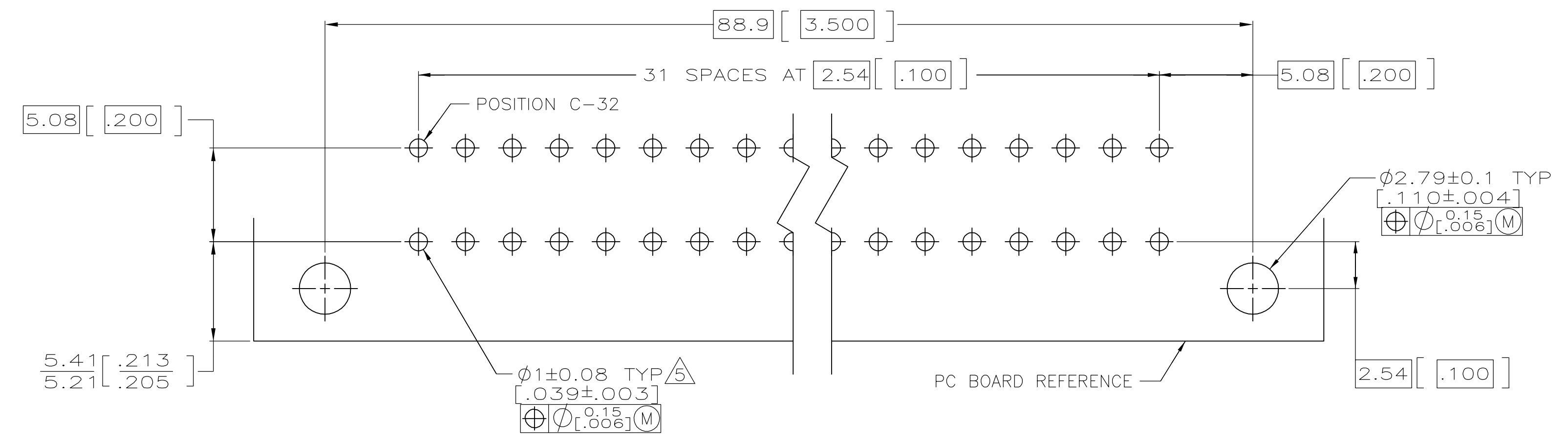
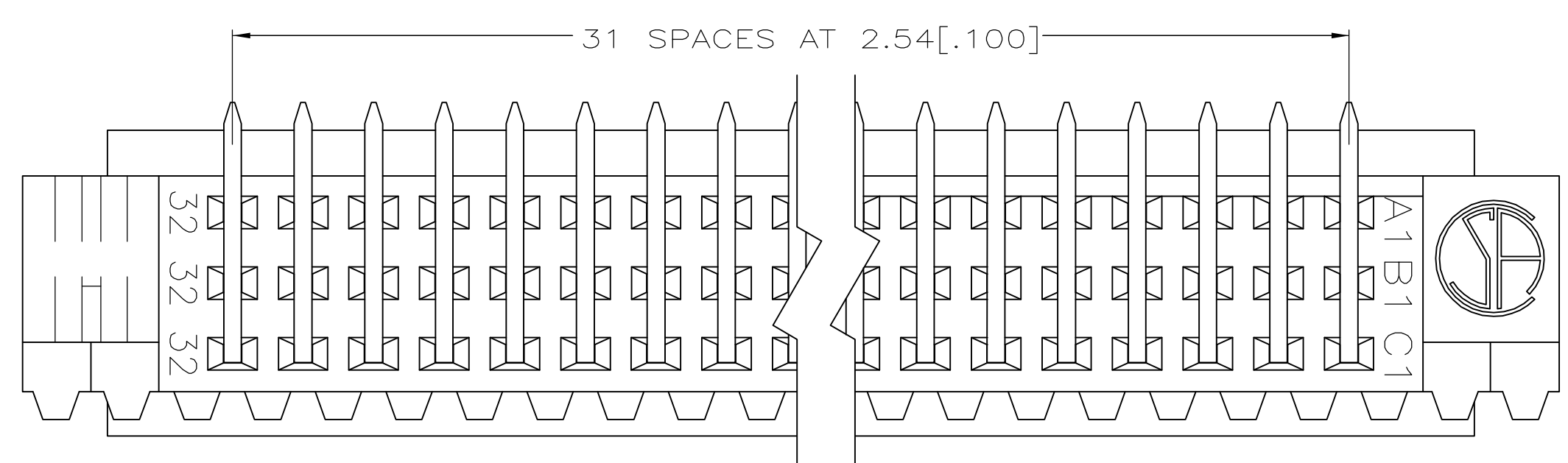


- ① HOUSING MATERIAL: GLASS-FILLED POLYMER.
- ② POST MATERIAL: COPPER ALLOY.
- ③ POST FINISH: DIN 41612 CLASS 2 IN CONTACT AREA. TIN PLATE ON POSTS.
- ④ MARKING ON THIS SIDE.
- ⑤ RECOMMENDED HOLE SIZE FOR MANUAL APPLICATION OF CONNECTOR ONTO PC BOARD.
- ⑥ AMP PART NUMBER, DATE CODE MARKED THIS APPROXIMATE AREA.



SECTION Z-Z



PC BOARD LAYOUT

1-32	X	-	X	64	5650945-5
POSITIONS LOADED	C	B	A	NO. OF LOADED POSITIONS	PART NUMBER

THIS DRAWING IS A CONTROLLED DOCUMENT.		DWN J. POLIGNONE	OSMAYOS	tyco Electronics	Tyco Electronics Corporation Harrisburg, Pa 17105-3608	
DIMENSIONS: mm [INCHES]		CHK A. SHARPE	OSMAYOS		NAME	ASSEMBLY, PIN, EUROCARD, TYPE C, LEAD-FREE, A and C, 64/96 POSITION, 2.64[.104] SOLDER POST SELECT LOAD
TOLERANCES UNLESS OTHERWISE SPECIFIED:		APP'D A. SHARPE	OSMAYOS	PRODUCT SPEC	APPLICATION SPEC	
0 PLC ± -				SIZE	CAGE CODE DRAWING NO	
1 PLC ± -				WEIGHT	A1 00779 C=5650945	
2 PLC ± 0.15[.005]				RESTRICTED TO		
3 PLC ± -				CUSTOMER DRAWING		
4 PLC ± -				SCALE 5:1 SHEET 1 OF 1 REV 0		
ANGLES ± -						
FINISH						