

1	2	3	4	5	6	7	8					
7		Cancel 685 Part No.	4/11/2002	LPB	Peterhu	REV	ZONE	LTR	DESCRIPTION	DATE	REVISER	APP'D
						5			MODIFY TOLERANCE ± 0.25	4/18/2001	TONY	Wenson
						6			Modify Kink style	5/31/2001	Perry	Wenson

ORDERING INFORMATION

BE 050 S - 3 2 5 1 3 - 10
 (1) (2) (3) (4) (5) (6) (7) (8) (9)

1. SERIES NUMBER :

BE : HIGH DENSITY 1.27(0.50") SPACING MINI CONNECTOR
 FLAT CABLE I.D.C TYPE 0.635(0.025")
 (FOR 30 AWG WIRE OR WIRE DIAMETER
 0.45 - 0.80 mm)

2. NO OF CONTACTS :

EX 050 : 50 POSITIONS

3. CONTACT TYPE :

P : PLUG S : SOCKET

4. COLOR (INSULATOR)

3 : BLACK

5. CONTACT FINISH :

0 : SELECTED GOLD FLASH OVER 30μ" NICKEL
 1 : 15μ" SELECTED GOLD OVER 50μ" NICKEL
 2 : 15μ" SELECTED GOLD OVER 50μ" NICKEL
 3 : 30μ" SELECTED GOLD OVER 50μ" NICKEL

6. METAL SHELL FINISH :

0 : ALL PLASTIC
 1 : TIN PLATED SHELL, WITH GROUNDING INDENTS
 4 : TIN PLATED SHELL, W/O GROUNDING INDENTS
 5 : NICKEL PLATED SHELL, W/O GROUNDING INDENTS
 6 : NICKEL PLATED SHELL, WITH GROUNDING INDENTS

7. SCREW TYPE :

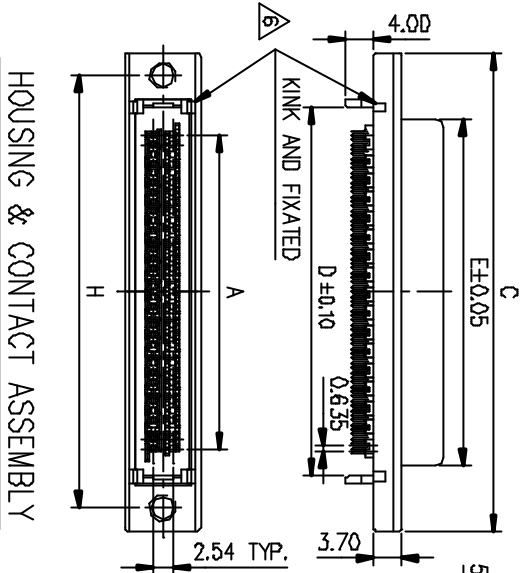
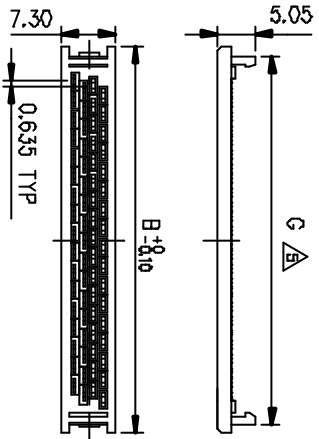
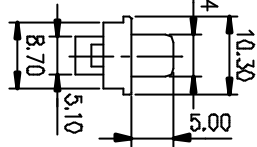
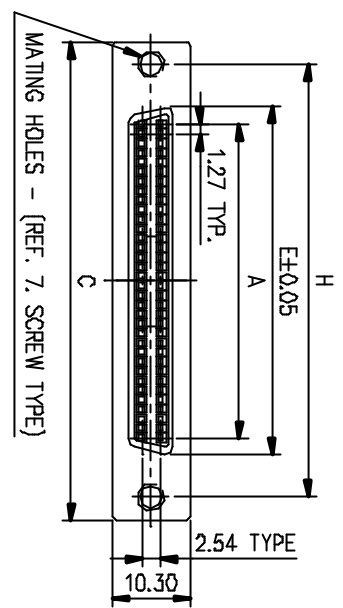
D : NONE, 1 : 4-40 UNC, 2 : 2-56 UNC, 3 : M2.5x0.46

8. BLACKET TYPE

0 : NONE
 1 : WITHOUT RAILS, WITH LATCH BLOCKS
 2 : WITH RAILS & LATCH BLOCKS
 3 : WITHOUT RAILS & LATCH BLOCKS

9. SUFFIX NO.

10 : EDA LOGO



HOUSING & CONTACT ASSEMBLY

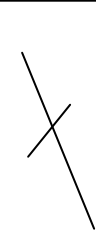
SPECIFICATION -

- INSULATOR MATERIAL : PBT WITH GLASS-FIBER REINFORCED UL 94V-0
- CONTACT MATERIAL : PHOSPHOR BRONZE , GOLD OVER NICKEL
- RATED CURRENT : 1A
- INSULATION RESISTANCE : 500MΩ MIN.
- CONTACT RESISTANCE : 35mΩ MAX.
- DIELECTRIC WITHSTANDING VOLTAGE : AC 250V FOR 1 MINUTE.
- OPERATING TEMPERATURE : -55°C - +105°C.



46.48 (1.830)	37.77 (1.487)	35.67 (1.404)	34.70 (1.366)	37.87 (1.491)	52.45 (2.065)	40.07 (1.578)	30.48 (1.200)	50	BE050S
H	G	F	E	D	C	B	A	NO. OF POSITION	PART NO.

EDA INC.



FINISH

TOLERANCE UNSPECIFIED

±0.25

ANGLE

DRAWN 曹茂成 07/04/94

DESIGNER

CHECKED 曹茂成

APPROVED JOHN

NAME BE SERIES SCSI-III H.D. RECEPTACLE ASSEMBLY

IDC TYPE 0.635(.025")

IRRAWING NO. R-S108E-1

SHEET 1

REV 7

A3 RST08E11