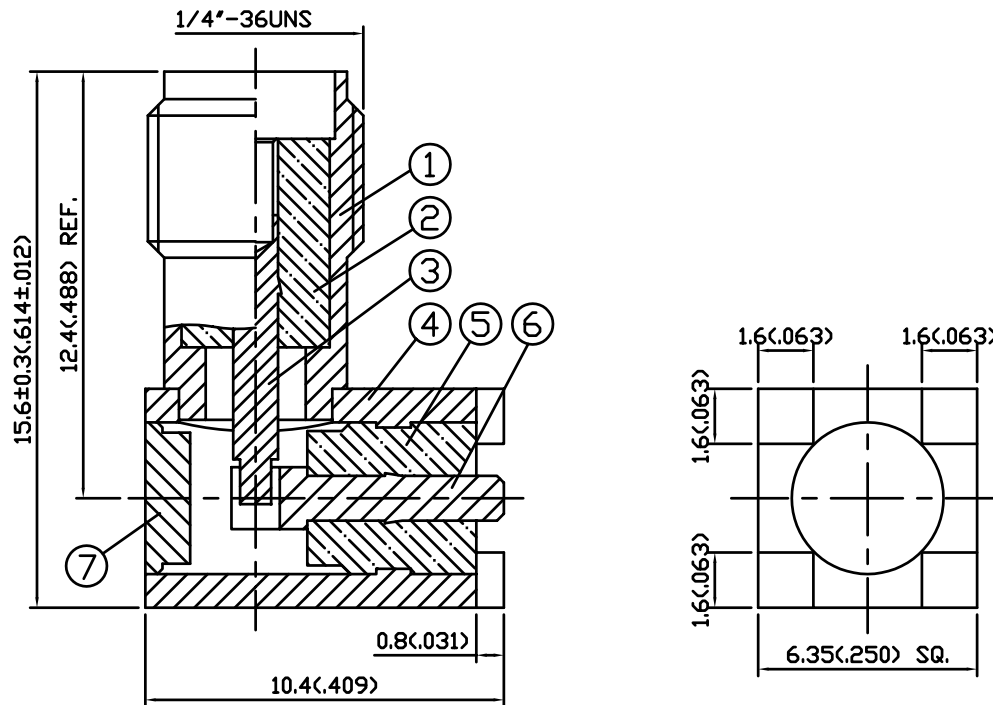


| NO | DESCRIPTION | DATE |
|----|---------------------------|----------|
| ⚠ | BACKGROUND FORMAT UPDATED | 06.03.02 |



NOTES: UNLESS OTHERWISE SPECIFIED

- BODIES: BRASS PER JIS-C3604
- CENTER CONTACT: BRASS PER JIS-C3604
BERYLLIUM COPPER PER JIS-C1730B
- INSULATION: TEFLON PER ASTM D1457 AND ASTM D1710
- CONNECTOR INTERFACE PER MIL-STD-348A
- PART TO BE CLEAN AND FREE OF BURRS

| NO | DESCRIPTION | MATERIAL | Q'TY | FINISH |
|----|-------------------|----------|------|----------------|
| 7 | CAP | BRASS | 1 | GOLD 3μ" MIN. |
| 6 | CENTER CONTACT II | BRASS | 1 | GOLD 50μ" MIN. |
| 5 | INSULATION | TEFLON | 1 | NONE |
| 4 | BODY | BRASS | 1 | GOLD 3μ" MIN. |
| 3 | CENTER CONTACT I | Be Cu | 1 | GOLD 50μ" MIN. |
| 2 | INSULATION | TEFLON | 1 | NONE |
| 1 | CHASSIS | BRASS | 1 | GOLD 3μ" MIN. |

| 製圖 | DRAWN | TOLERANCE | | 品名 | | 日期 | DATE | 版次 | REV. |
|----|-------|-----------|-------|---|--------|-----------------|------|----|------|
| | 梁齡允 | .X | ±0.2 | 19-49-2 (50Ω) | | | | | |
| 檢圖 | CHECK | .XX | ±0.1 | 單位 | mm(in) | DWG.NO. 19-0036 | | | |
| | 袁金華 | .XXX | ±0.05 | 比例 | SCALE | 佳楠精密電子股份有限公司 | | | |
| 認定 | 蘇文申 | ANGLE | ±5° | CHIN NAN PRECISION ELECTRONICS CO.,LTD. | | | | | |