

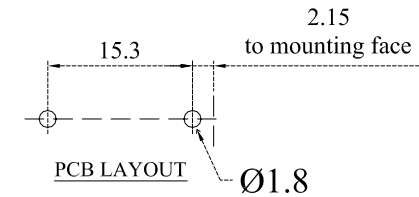
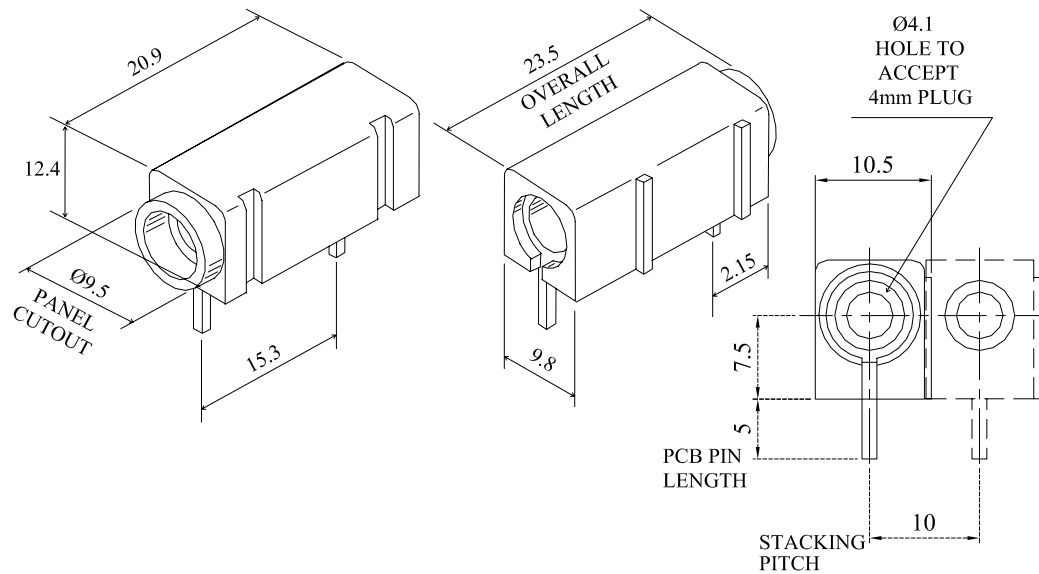
A single insulated 4mm socket, for direct mounting onto printed circuit boards. Has grooves in the outer acetal housing which provide side stacking alignment.

MATERIALS

HOUSING : Acetal
 PINS : Brass, silver plate
 BUSH : Brass, silver plate

CURRENT RATING : 10 Amps

Dimensions



COLOUR	ORDER CODE
BLACK	571-0100
BLUE	571-0200
BROWN	571-0300
GREEN	571-0400
RED	571-0500
WHITE	571-0600
YELLOW	571-0700

CONVERTED FROM PS0485 ISS5 (02.09.96) IN JAN 2003

DrgNo 571 SERIES		TITLE 90° PCB MOUNTED INSUALTED SOCKET-SINGLE			ALL DIMENSIONS IN MM ANGLES IN DECIMAL DEGREES	
DELTRON Components		ISSUE 5	GENERAL SPECIFICATION FOR 571 SERIES		CUSTOMER FILTER REF	
				Aprvd Date 10/02/03	Aprvd By MC	Drwn by BFS
				Scale: NTS		Sheet 1 / 1