



SCREWDRIVER BITS

STANDARD

1/4" hexagon shaft.

Standard drive C 6,3 or direct drive E 6,3.

Manufactured in Germany to DIN standards.

Made of High Grade Chrome Molybdenum Alloy Steels,

hardened and tempered for long life.

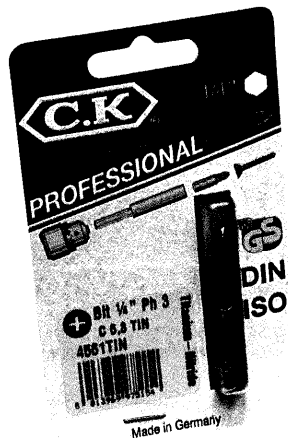
Professional quality at affordable prices.

Available in various lengths.

C.K Bits are offered loose in cardboard shelf boxes, or in a limited range on attractive blister cards.

Various functional point of sale displays are available.

A choice of Magnetic Bit Holders complements the range. Also see the very versatile C.K BITS BOXES 6 in 1.



SLOTTED 25mm - LOOSE				
4550				
DIN 3127, DIN 3126 C 6,3				
ORDER REF	→ < / 	LENGTH	WEIGHT	BOX QTY
T4550 05	0,5 x 3,0mm	25mm	5g	20
T4550 0645	0,6 x 4,5mm	25mm	5g	20
T4550 0855	0,8 x 5,5mm	25mm	5g	20
T4550 1055	1,0 x 5,5mm	25mm	5g	20
T4550 1265	1,2 x 6,5mm	25mm	5g	20
2 BITS CARDED - SLOTTED 25mm				
4560				
ORDER REF	→ < / 	LENGTH	WEIGHT	BOX QTY
T4560 05	0,5 X 3,0	25mm	15g	10
T4560 0645	0,6 X 4,5	25mm	15g	10
T4560 0855	0,8 X 5,5	25mm	15g	10
T4560 1055	1,0 X 5,5	25mm	15g	10
T4560 1265	1,2 X 6,5	25mm	15g	10


"PZD" and "SDV" are registered trademarks of European Industrial Services Ltd.
"TORX" is a registered trademark of Camcar Textron.

SLOTTED 50mm - LOOSE				
4575				
DIN 3127, DIN 3126 C 6,3				
ORDER REF	→ < / 	LENGTH	WEIGHT	BOX QTY
T4575 05	0,5 x 3,0mm	50mm	11g	10
T4575 0645	0,6 x 4,5mm	50mm	11g	10
T4575 08	0,8 x 5,5mm	50mm	11g	10
T4575 1055	1,0 x 5,5mm	50mm	11g	10
T4575 1265	1,2 x 6,5mm	50mm	12g	10

PZD/SDV® 25mm - LOOSE				
4552				
DIN 3128, DIN 3126 C 6,3				
ORDER REF		LENGTH	WEIGHT	BOX QTY
T4552 1	PZD/SDV 1	25mm	5g	20
T4552 2	PZD/SDV 2	25mm	6g	20
T4552 3	PZD/SDV 3	25mm	6g	20
2 BITS CARDED PZD/SDV® 25mm				
4562				
DIN 3128, DIN 3126 C 6,3				
ORDER REF		LENGTH	WEIGHT	BOX QTY
T4562 1	PZD/SDV 1	25mm	16g	10
T4562 2	PZD/SDV 2	25mm	17g	10
T4562 3	PZD/SDV 3	25mm	18g	10


PZD/SDV® 50mm - LOOSE				
4552E				
DIN 3128, DIN 3126 E 6,3				
ORDER REF		LENGTH	WEIGHT	BOX QTY
T4552E 1	PZD/SDV 1	50mm	11g	10
T4552E 2	PZD/SDV 2	50mm	11g	10
T4552E 3	PZD/SDV 3	50mm	11g	10
1 BIT CARDED PZD/SDV® 50mm				
4562E				
DIN 3128, DIN 3126 E 6,3				
ORDER REF		LENGTH	WEIGHT	BOX QTY
T4562E 1	PZD/SDV 1	50mm	12g	10
T4562E 2	PZD/SDV 2	50mm	12g	10
T4562E 3	PZD/SDV 3	50mm	12g	10

PZD/SDV® 50mm - LOOSE				
4556				
DIN 3128, DIN 3126 C 6,3				
ORDER REF		LENGTH	WEIGHT	BOX QTY
T4556 1	PZD/SDV 1	10	50mm	12g
T4556 2	PZD/SDV 2	10	50mm	12g



PZD/SDV®/SLOTTED 50mm - LOOSE 4579
DIN 3127, DIN 3128, DIN 3126 C 6,3

ORDER REF	LENGTH	WEIGHT	BOX QTY
T4579 1	60mm	12g	10
T4579 2	60mm	13g	10




PHILLIPS 25mm - LOOSE 4551
DIN 5261, DIN 5262, DIN 3128, DIN 3126 C 6,3

ORDER REF	LENGTH	WEIGHT	BOX QTY
T4551 1	25mm	5g	20
T4551 2	25mm	6g	20
T4551 3	25mm	6g	20

2 BITS CARDED - PHILLIPS 25mm 4561
DIN 5261, DIN 5262, DIN 3128, DIN 3126 C 6,3

ORDER REF	LENGTH	WEIGHT	BOX QTY
T4561 1	25mm	16g	10
T4561 2	25mm	16g	10
T4561 3	25mm	16g	10




PHILLIPS 50mm - LOOSE 4551E
DIN 5261, DIN 5262, DIN 3128, DIN 3126 E 6,3

ORDER REF	LENGTH	WEIGHT	BOX QTY
T4551E 1	50mm	5g	10
T4551E 2	50mm	5g	10
T4551E 3	50mm	5g	10


1 BIT CARDED PHILLIPS 50mm 4561E
DIN 5261, DIN 5262, DIN 3128, DIN 3126 E 6,3

ORDER REF	LENGTH	WEIGHT	BOX QTY
T4561E 1	50mm	10g	10
T4561E 2	50mm	10g	10
T4561E 3	50mm	10g	10




PHILLIPS 50mm - LOOSE 4555
DIN 5261, DIN 5262, DIN 3128, DIN 3126 C 6,3

ORDER REF	LENGTH	WEIGHT	BOX QTY
T4555 1	50mm	12g	10
T4555 2	50mm	12g	10




TORX® 25mm - LOOSE 4557
DIN 3126 C 6,3

ORDER REF	LENGTH	WEIGHT	BOX QTY
T4557 05	25mm	5g	10
T4557 06	25mm	5g	10
T4557 07	25mm	5g	10
T4557 08	25mm	5g	10
T4557 09	25mm	5g	10
T4557 10	25mm	5g	10
T4557 15	25mm	5g	10
T4557 20	25mm	5g	10
T4557 25	25mm	6g	10
T4557 27	25mm	6g	10
T4557 30	25mm	6g	10
T4557 40	25mm	6g	10



TORX® TAMPERPROOF 25mm - LOOSE 4557T
DIN 3126 C 6,3

ORDER REF	LENGTH	WEIGHT	BOX QTY
T4557T 10	25mm	5g	10
T4557T 15	25mm	5g	10
T4557T 20	25mm	5g	10
T4557T 25	25mm	5g	10
T4557T 30	25mm	5g	10
T4557T 40	25mm	5g	10



HEXAGON 25mm - LOOSE 4554
DIN 7426, DIN 3126 C 6,3

ORDER REF	LENGTH	WEIGHT	BOX QTY
T4554 25	25mm	5g	10
T4554 3	25mm	5g	10
T4554 4	25mm	6g	10
T4554 5	25mm	6g	10
T4554 6	25mm	6g	10
T4554 8	25mm	9g	10

