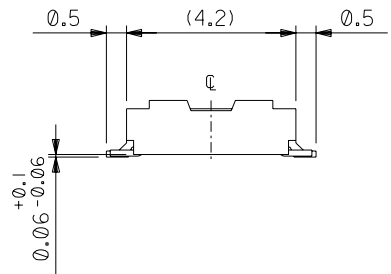
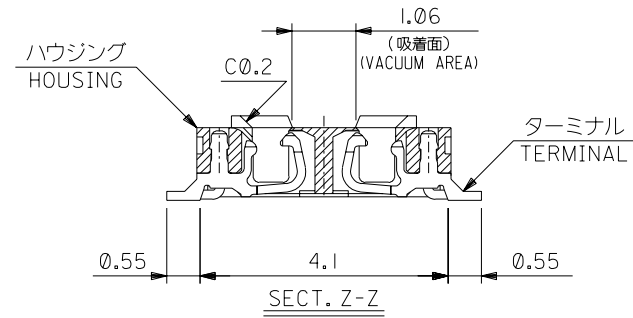
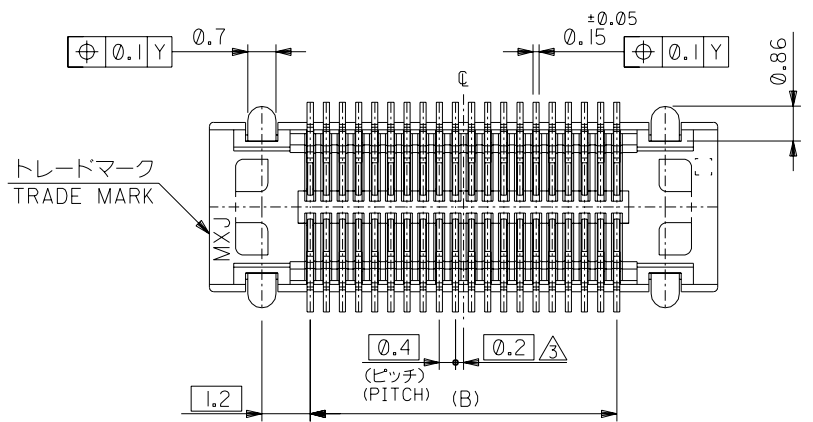
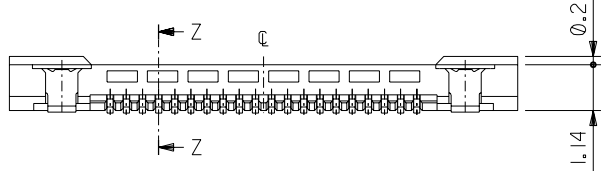
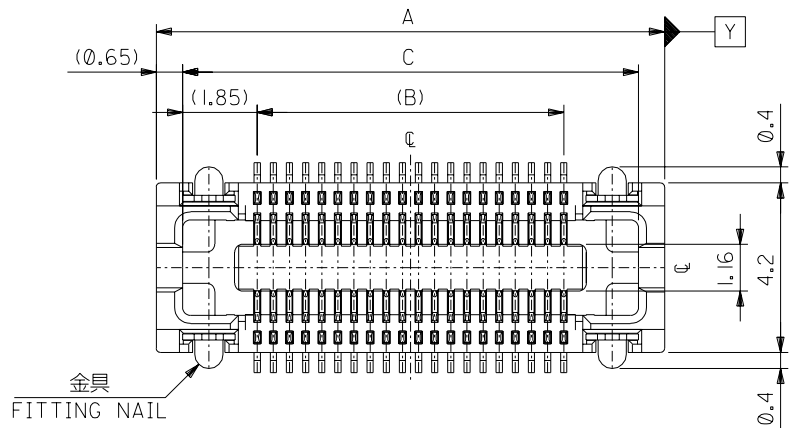


DWG. NO. SD-54765-036

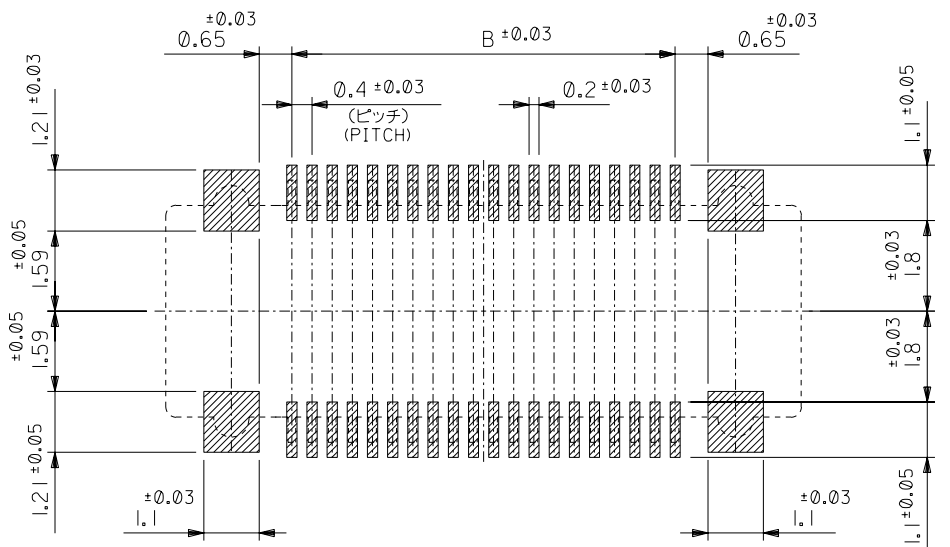


19.3	15.6	20.6	54765-0875	80
17.3	13.6	18.6	54765-0775	70
14.1	10.4	15.4	54765-5475	54
13.3	9.6	14.6	54765-0575	50
12.1	8.4	13.4	54765-4475	44
11.3	7.6	12.6	54765-0475	40
9.3	5.6	10.6	54765-0375	30
8.1	4.4	9.4	54765-2475	24
7.7	4.0	9.0	54765-2275	22
C	B	A	MATERIAL NO.	Ck+

DO NOT SCALE DRAWING

EC NO. DRWN: CHK: APPR:	EC NO. DRWN: CHK: APPR:	EC NO. DRWN: CHK: APPR:	EC NO. DRWN: CHK: APPR:	EC NO. DRWN: CHK: APPR:	<p>RELEASED '04/03/11 EC NO. J2003-3050 DRWN: M.NABEI CHK: K.TOJO APPR: M.SASAO</p>	<p>MATERIAL 材料</p> <p>FINISH 仕上げ</p> <p>WIRE RANGE 適用線径範囲</p> <p>INS. RANGE 被覆外径</p>	<p>注記参照 SEE NOTES</p> <p>//</p> <p>//</p> <p>//</p>	<p>GENERAL TOLERANCES: (UNLESS SPECIFIED) 一般公差</p> <p>10 UNDER 未満 ±0.2</p> <p>10 OVER 30 UNDER 未満 ±0.25</p> <p>30 OVER 以上 ±0.3</p> <p>ANGLE 角度 ±3°</p>	<p>SCALE</p> <p>DESIGN UNITS <input checked="" type="checkbox"/>mm <input type="checkbox"/>INCH</p> <p>THIRD ANGLE PROJECTION</p> <p>DRAWN BY & DATE M.NABEI '04/03/11</p> <p>CHECKED BY & DATE K.TOJO '04/03/11</p> <p>APPROVED BY & DATE M.SASAO '04/03/11</p> <p>CAD FILENAME SD-54765-036.S01</p>	<p>MODEL NO. 54765-***75</p> <p>TITLE: 0.4 B-To-B Rec Hsg Assy WITH GUIDE (Hgt=1.5) -LEAD FREE-</p> <p>MATERIAL NO. SEE CHART</p> <p>DRAWING NO. SD-54765-036</p> <p>SHEET NO. 1 OF 2</p>	<p>DIMENSIONS: <input type="checkbox"/>mm <input type="checkbox"/>INCH <input checked="" type="checkbox"/>mm ONLY</p> <p>SHT REV</p> <p>REVISE ON CAD ONLY</p>
----------------------------------	----------------------------------	----------------------------------	----------------------------------	----------------------------------	---	--	---	--	---	---	--

SD-54765-036.S01



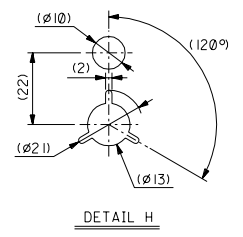
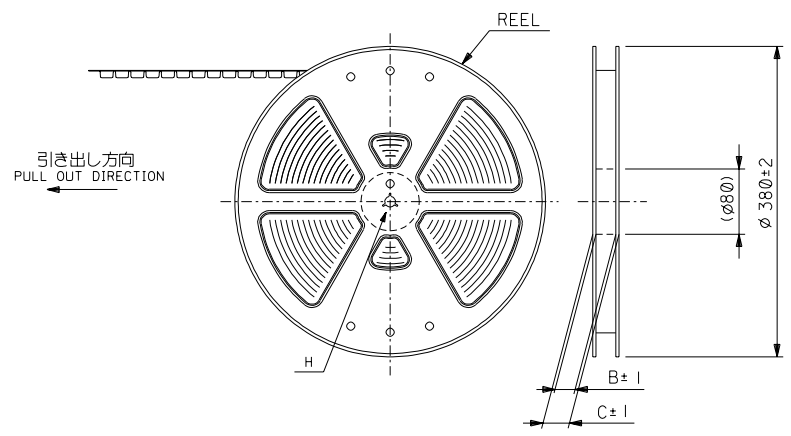
参考基板レイアウト (マウント面)
P.C.BOARD PATTERN DIMENSION. (REFERENCE)
(MOUNTING AREA)

注記 NOTES

- 使用材料 MATERIAL
ハウジング: 液晶ポリマー ガラス充填 UL94V-0 (黒)
HOUSING: LIQUID CRYSTAL POLYMER (GLASS FILLED)
UL94V-0 (COLOR: BLACK)
ターミナル: リン青銅 (t=0.15)
TERMINAL: PHOSPHOR BRONZE (t=0.15)
金具: リン青銅 (t=0.15)
FITTING NAIL: PHOSPHOR BRONZE (t=0.15)
 - メッキ仕様 PLATING
ターミナル TERMINAL
金メッキ 0.25マイクロメートル以上 (コンタクト部)
GOLD 0.25MICROMETER MINIMUM (CONTACT AREA)
金メッキ 0.4マイクロメートル以下 (テール部)
GOLD 0.4MICROMETER MAXIMUM (TAIL AREA)
下地メッキ: ニッケルメッキ 1.5マイクロメートル以上
UNDER PLATING: NICKEL 1.5MICROMETER MINIMUM
金具 FITTING NAIL
錫メッキ 1.0マイクロメートル以上
TIN 1.0MICROMETER MINIMUM
下地メッキ: ニッケルメッキ 1.0マイクロメートル以上
UNDER PLATING: NICKEL 1.0MICROMETER MINIMUM
- △ (全極数/2) = 偶数の場合に適用。
APPLY FOR (CIRCUIT/2) = EVEN
- 嵌合相手: 55604 シリーズ
MATE WITH: 55604 SERIES
 - テール平坦度は、0.08以下
テール及び金具の平坦度は、0.1以下
TAIL COPLANARITY TO BE 0.08 MAXIMUM.
TAIL AND FITTING NAIL
COPLANARITY TO BE 0.1 MAXIMUM.
 - 本製品は 54765-***5 の鉛フリー品である。
THIS PRODUCT IS LEAD FREE OF 54765-***5.

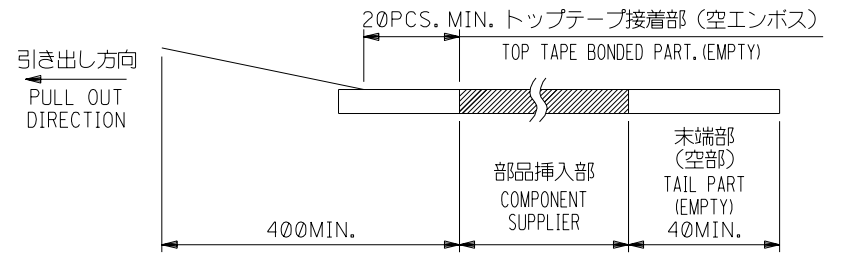
DO NOT SCALE DRAWING

EC NO. DRWN: CHK: APPR:	EC NO. DRWN: CHK: APPR:	EC NO. DRWN: CHK: APPR:	EC NO. DRWN: CHK: APPR:	EC NO. DRWN: CHK: APPR:	RELEASED '04/03/11 EC NO. J2003-3050 DRWN: M.NABEI CHK: K.TOJO APPR: M.SASAO	MATERIAL 材料 注記参照 SEE NOTES	GENERAL TOLERANCES: (UNLESS SPECIFIED) 一般公差	SCALE 1/1	DESIGN UNITS <input checked="" type="checkbox"/> mm <input type="checkbox"/> INCH	MODEL NO. 54765-***75	DIMENSIONS: <input type="checkbox"/> mm <input type="checkbox"/> INCH <input checked="" type="checkbox"/> mm ONLY	SHT 2 OF 2	REV REVISION ON CAD ONLY
						FINISH 仕上げ //	10 UNDER 未満 ±0.2	DRAWN BY & DATE M.NABEI '04/03/11	TITLE: 0.4 B-To-B Rec Hsg Assy WITH GUIDE (Hgt=1.5) -LEAD FREE-				
						WIRE RANGE 適用電線範囲 //	10 OVER 以上 ±0.25	CHECKED BY & DATE K.TOJO '04/03/11	MOLEX INCORPORATED				
						INS. RANGE 被覆外径 //	30 OVER 以上 ±0.3	APPROVED BY & DATE M.SASAO '04/03/11	CAD FILENAME SD-54765-036.S02	MATERIAL NO. SEE CHART	DRAWING NO. SD-54765-036	SHEET NO. 2 OF 2	SIZE B
							ANGLE 角度 ±3°	THIS DRAWING CONTAINS INFORMATION THAT IS PROPRIETARY TO MOLEX INCORPORATED AND SHOULD NOT BE USED WITHOUT WRITTEN PERMISSION.					EN-02J(097) MXJ-54

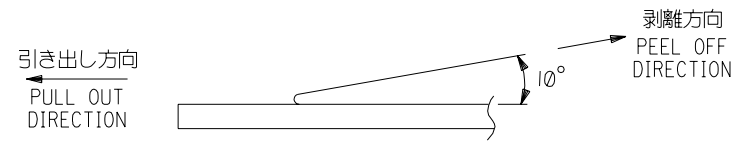


注記 NOTES

- 製品詳細寸法については図面 SD-54765-036 を参照下さい。
RE DETAILED DIMENSION, SEE SD-54765-036
- 梱包数量：2500個/リール
NUMBER OF CONNECTORS : 2500PCS/REEL
- リードテープ長さ LEAD TAPE LENGTH



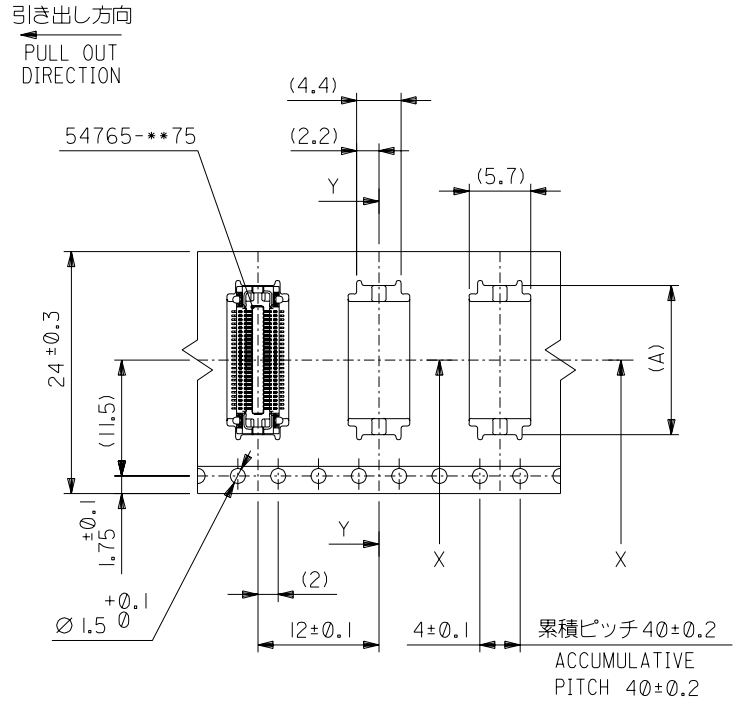
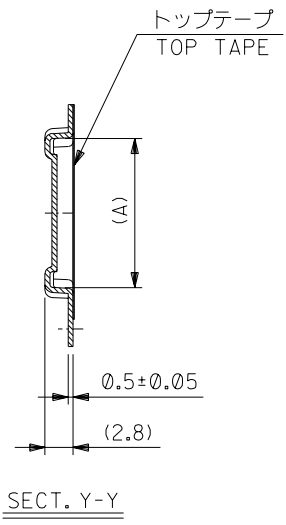
- トップテープの剥離強度：0.1～1.3N {10～130gf}
(剥離方向は下図参照)
尚、本規格値は出荷時に適用。(但し、輸送時に剥離が発生しないこと。)
PEELING OFF FORCE OF TOP TAPE : 0.1～1.3N {10～130gf}
THIS REQUIREMENT SHOULD BE APPLIED AT SHIPMENT.
PEEL OFF SHOULD NOT BE ALLOWED, DURING TRANSPORTATION.



- 材料 MATERIAL
キャリアテープ (CARRIER TAPE) : ポリプロピレン (POLYPROPYLENE)
トップテープ (TOPTAPE) : PET, PE, PEF
リール (REEL) : ポリスチレン (PS) <リサイクル材を含む>
POLYSTYRENE (PS) <RECYCLE MATERIAL CONTAINED>
- 本製品は 54765-***6 の鉛フリー品である。
THIS PRODUCT IS LEAD FREE OF 54765-***6.

DO NOT SCALE DRAWING

64 NO. DRWN: CH'K: APPR: 63 NO. DRWN: CH'K: APPR: 62 NO. DRWN: CH'K: APPR: 61 NO. DRWN: CH'K: APPR:		RELEASED '04/03/12 DRWN: M.NABEI CH'K: K.TOJO APPR: M.SASAO	MATERIAL 材料 注記参照 SEE NOTES	GENERAL TOLERANCES: (UNLESS SPECIFIED) 一般公差 10 UNDER 未満 ±0.2 10 OVER 30 UNDER 未満 ±0.25 30 OVER 以上 ±0.3 ANGLE 角度 ±3°	SCALE 1/1 DESIGN UNITS <input checked="" type="checkbox"/> mm <input type="checkbox"/> INCH DRAWN BY & DATE M.NABEI '04/03/12 CHECKED BY & DATE K.TOJO '04/03/12 APPROVED BY & DATE M.SASAO '04/03/12 CAD FILENAME SD-54765-037.S01	MODEL NO. 54765-***76 DIMENSIONS: <input type="checkbox"/> mm <input type="checkbox"/> INCH <input checked="" type="checkbox"/> mm ONLY SHT 1 OF 3 REV B
		TITLE: 0.4 B-To-B Rec Assy W/Gde (Hgt=1.5) Embstp Pkg -LEAD FREE- MOLEX MOLEX INCORPORATED			MATERIAL NO. SEE CHART DRAWING NO. SD-54765-037 SHEET NO. 1 OF 3 SIZE B	

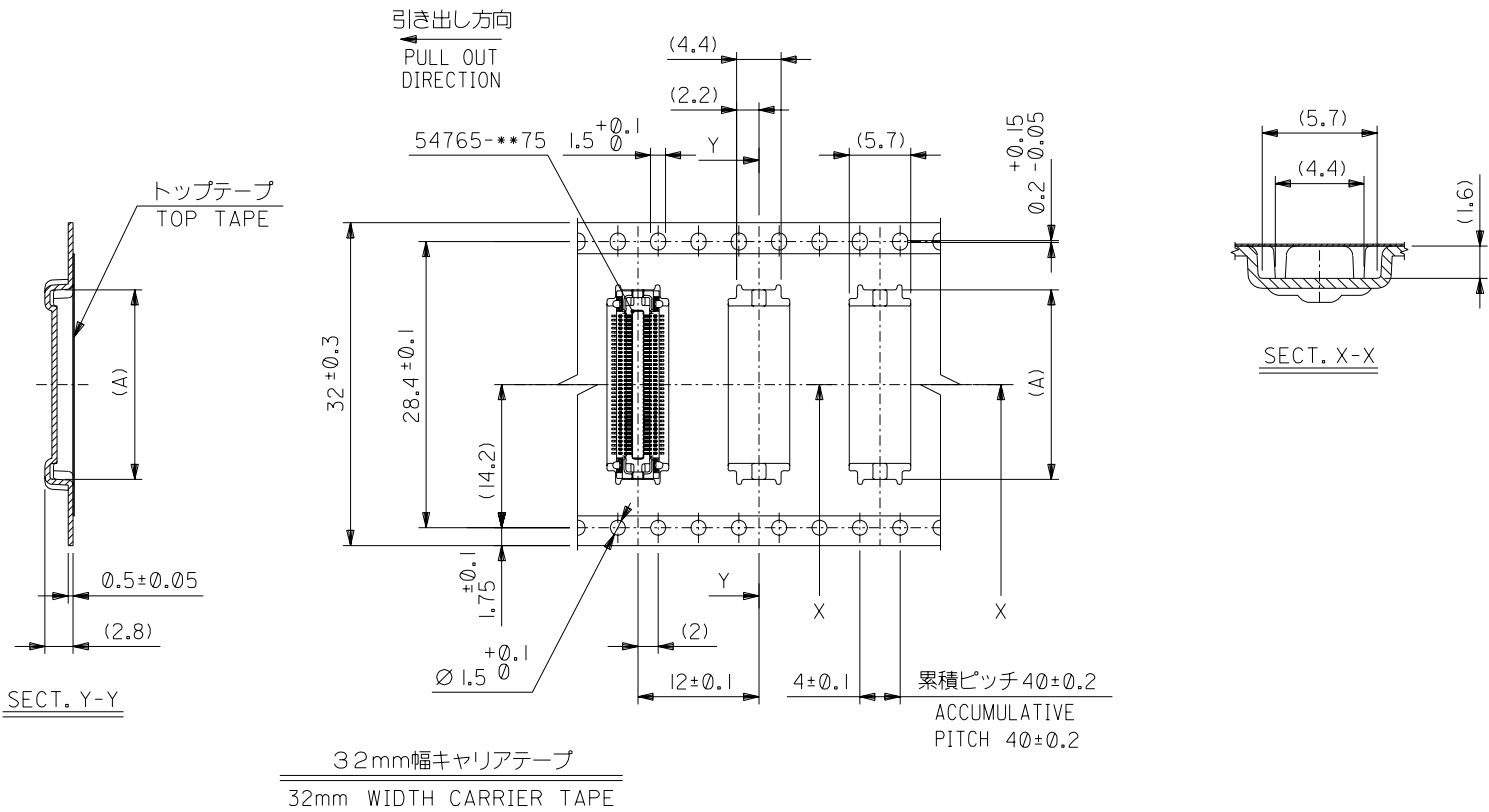


24mm幅キャリアテープ
24mm WIDTH CARRIER TAPE

24	29.4	25.4	15.6	54765-5476	54	
			14.8	54765-0576	50	
			13.6	54765-4476	44	
			12.8	54765-0476	40	
			10.8	54765-0376	30	
			9.6	54765-2476	24	
			9.2	54765-2276	22	
キャリアテープ幅 CARRIER TAPE WIDTH		C	B	(A)	MATERIAL NO.	極数 Ck+

DO NOT SCALE DRAWING

EC NO. DRWN: CHK: APPR:	EC NO. DRWN: CHK: APPR:	EC NO. DRWN: CHK: APPR:	EC NO. DRWN: CHK: APPR:	RELEASED '04/03/12 EC NO. J2004-3050 DRWN: M.NABEI CHK: K.TOJO APPR: M.SASAO	MATERIAL 材料 注記参照 SEE NOTES	GENERAL TOLERANCES: (UNLESS SPECIFIED) 一般公差	SCALE //	DESIGN UNITS <input checked="" type="checkbox"/> mm <input type="checkbox"/> INCH	THIRD ANGLE PROJECTION <input checked="" type="checkbox"/> mm <input type="checkbox"/> INCH	DIMENSIONS: <input type="checkbox"/> mm <input type="checkbox"/> INCH <input checked="" type="checkbox"/> mm ONLY	SHT REV
					FINISH 仕上げ //	10 UNDER 未満 ±0.2	DRAWN BY & DATE M.NABEI '04/03/12	TITLE: 0.4 B-To-B Rec Assy W/Gde (Hgt=1.5) Embstp Pkg -LEAD FREE-			
					WIRE RANGE 適用電線範囲 //	10 OVER 30 UNDER 以上 未満 ±0.25	CHECKED BY & DATE K.TOJO '04/03/12	MOLEX MOLEX INCORPORATED			
					INS. RANGE 被覆外径 //	30 OVER 以上 ±0.3	APPROVED BY & DATE M.SASAO '04/03/12	CAD FILENAME SD-54765-037.S02	MATERIAL NO. SEE CHART	DRAWING NO. SD-54765-037	SHEET NO. 2 OF 3
THIS DRAWING CONTAINS INFORMATION THAT IS PROPRIETARY TO MOLEX INCORPORATED AND SHOULD NOT BE USED WITHOUT WRITTEN PERMISSION.											SIZE B



32	37.4	33.4	20.8	54765-0876	80
			18.8	54765-0776	70
キャリアテープ幅 CARRIER TAPE WIDTH		C	B	(A)	MATERIAL NO. 極数 Ck+

DO NOT SCALE DRAWING	64 NO. DRWN: CH'K: APPR:	63 NO. DRWN: CH'K: APPR:	62 NO. DRWN: CH'K: APPR:	61 NO. DRWN: CH'K: APPR:	RELEASED '04/03/12 60 NO. J2004-3050 DRWN: M.NABEI CH'K: K.TOJO APPR: M.SASAO	MATERIAL 材料 注記参照 SEE NOTES	GENERAL TOLERANCES: (UNLESS SPECIFIED) 一般公差	SCALE 1/1 DESIGN UNITS <input checked="" type="checkbox"/> mm <input type="checkbox"/> INCH	MODEL NO. 54765-**76 DIMENSIONS: <input type="checkbox"/> mm <input type="checkbox"/> INCH <input checked="" type="checkbox"/> mm ONLY	SHT 1 REV 0
	68 NO. DRWN: CH'K: APPR:	67 NO. DRWN: CH'K: APPR:	66 NO. DRWN: CH'K: APPR:	65 NO. DRWN: CH'K: APPR:	64 NO. DRWN: CH'K: APPR:	63 NO. DRWN: CH'K: APPR:	FINISH 仕上げ //	10 UNDER 未満 ±0.2 10 OVER 30 UNDER 未満 ±0.25 30 OVER 以上 ±0.3	DRAWN BY & DATE M.NABEI '04/03/12 CHECKED BY & DATE K.TOJO '04/03/12 APPROVED BY & DATE M.SASAO '04/03/12	TITLE: 0.4 B-To-B Rec Assy W/Gde (Hgt=1.5) Embstp Pkg -LEAD FREE-
					WIRE RANGE 適用電線範囲 //	ANGLE 角度 ±3°	MOLEX INCORPORATED	MATERIAL NO. SEE CHART DRAWING NO. SD-54765-037	SHEET NO. 3 OF 3 SIZE B	