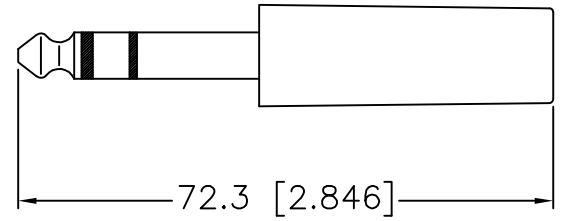
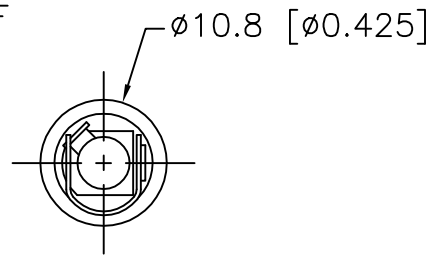
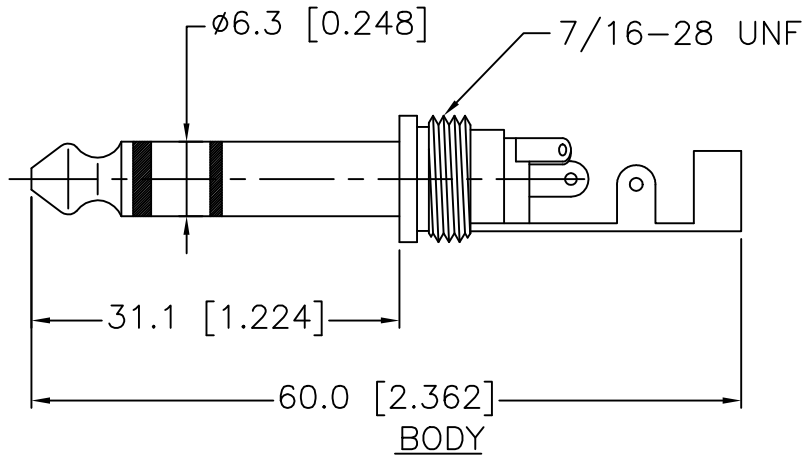
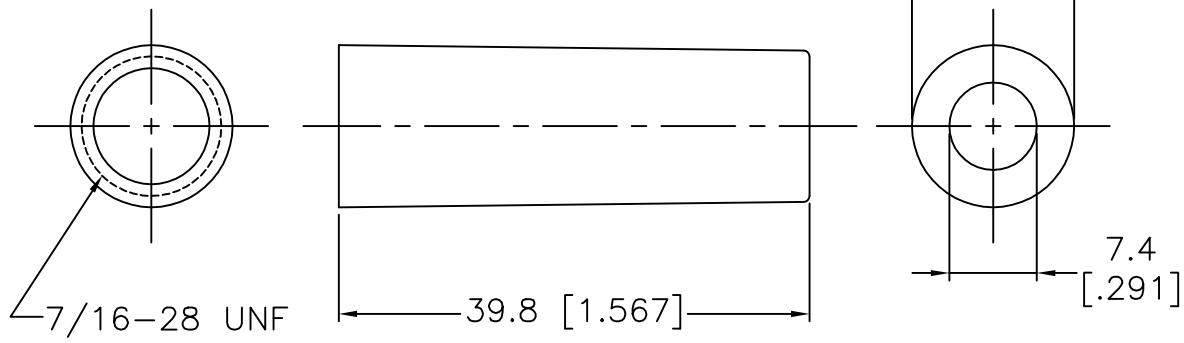


ALL RIGHTS RESERVED. NO PORTION OF THIS PUBLICATION, WHETHER IN WHOLE OR IN PART CAN BE REPRODUCED WITHOUT THE EXPRESS WRITTEN CONSENT OF SPC TECHNOLOGY.

DCP #		REV	DESCRIPTION	DRAWN	DATE	CHECKD	DATE	APPRVD	DATE
		B	Revised & Redrawn		1/5/93			JL	
522		C	Revised & Redrawn	JWM	2/3/99	JC	9/7/99	JC	9/7/99



ASSEMBLY



- Material:
1. Plug Body: Brass, Nickel-Plated
 2. Terminals: Brass, Nickel-Plated
 3. Insulator: Delrin
 4. Handle: ABS - Red

<p>DISCLAIMER: ALL STATEMENTS AND TECHNICAL INFORMATION CONTAINED HEREIN ARE BASED UPON INFORMATION AND/OR TESTS WE BELIEVE TO BE ACCURATE AND RELIABLE. SINCE CONDITIONS OF USE ARE BEYOND OUR CONTROL, THE USER SHALL DETERMINE THE SUITABILITY OF THE PRODUCT FOR THE INTENDED USE AND ASSUME ALL RISK AND LIABILITY WHATSOEVER IN CONNECTION THEREWITH.</p>		
<p>Tolerances Unless Otherwise Specified: .X=±0.2 [.008] .XX=±0.12 [.005]</p>	DRAWN BY:	DATE:
	JP	1/5/93
	CHECKED BY:	DATE:
	JC	1/7/93
	APPROVED BY:	DATE:
JL	1/8/93	



DRAWING TITLE:			
6.3mm Three Conductor Phone Plug			
SIZE	DWG. NO.	ELECTRONIC FILE	REV
A	302-R	37N2199.dwg	C
SCALE:	NTS	U.O.M.: Millimeters [Inches]	SHEET: 1 OF 1