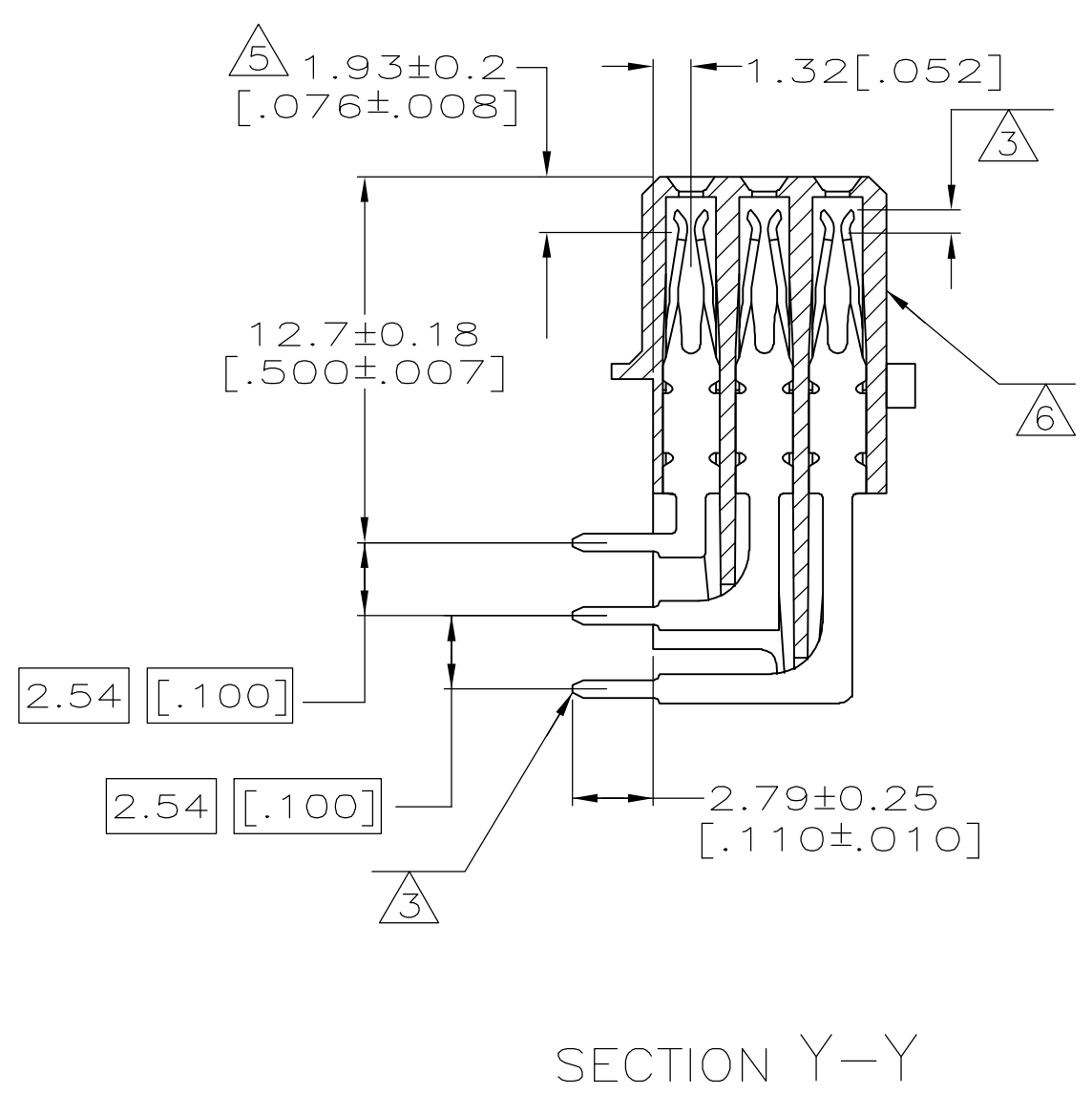
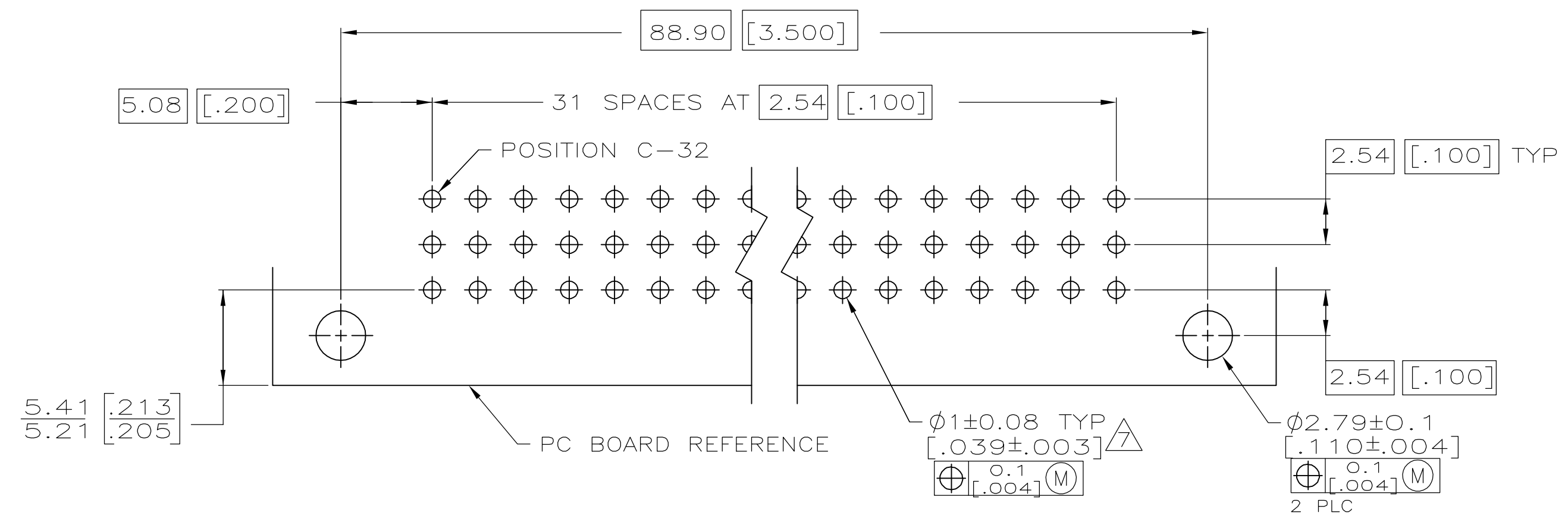
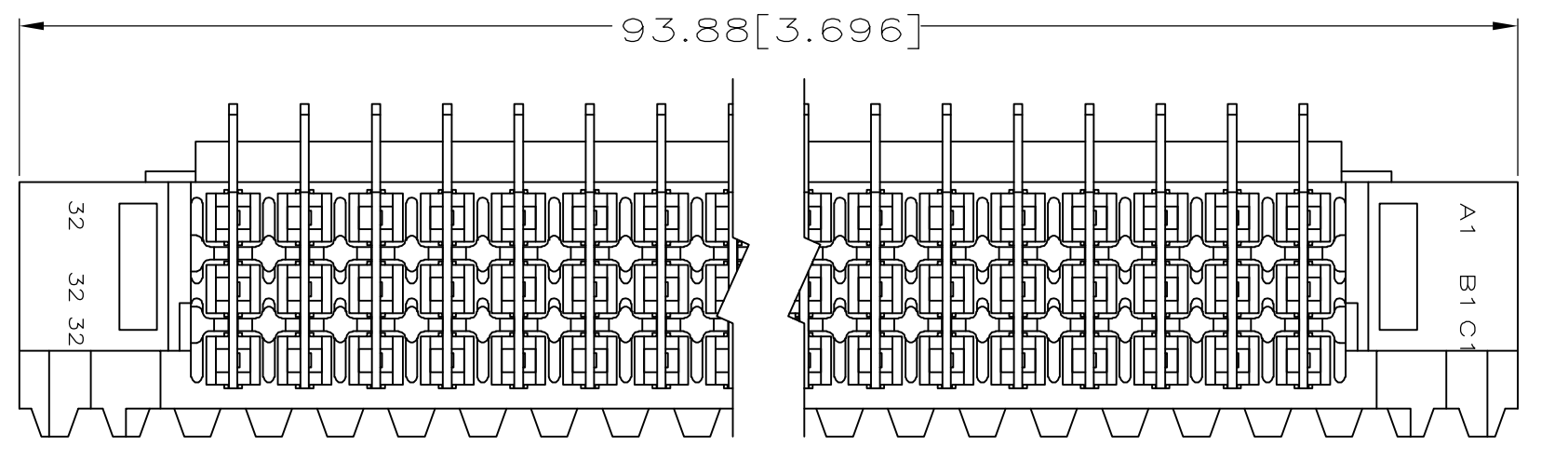
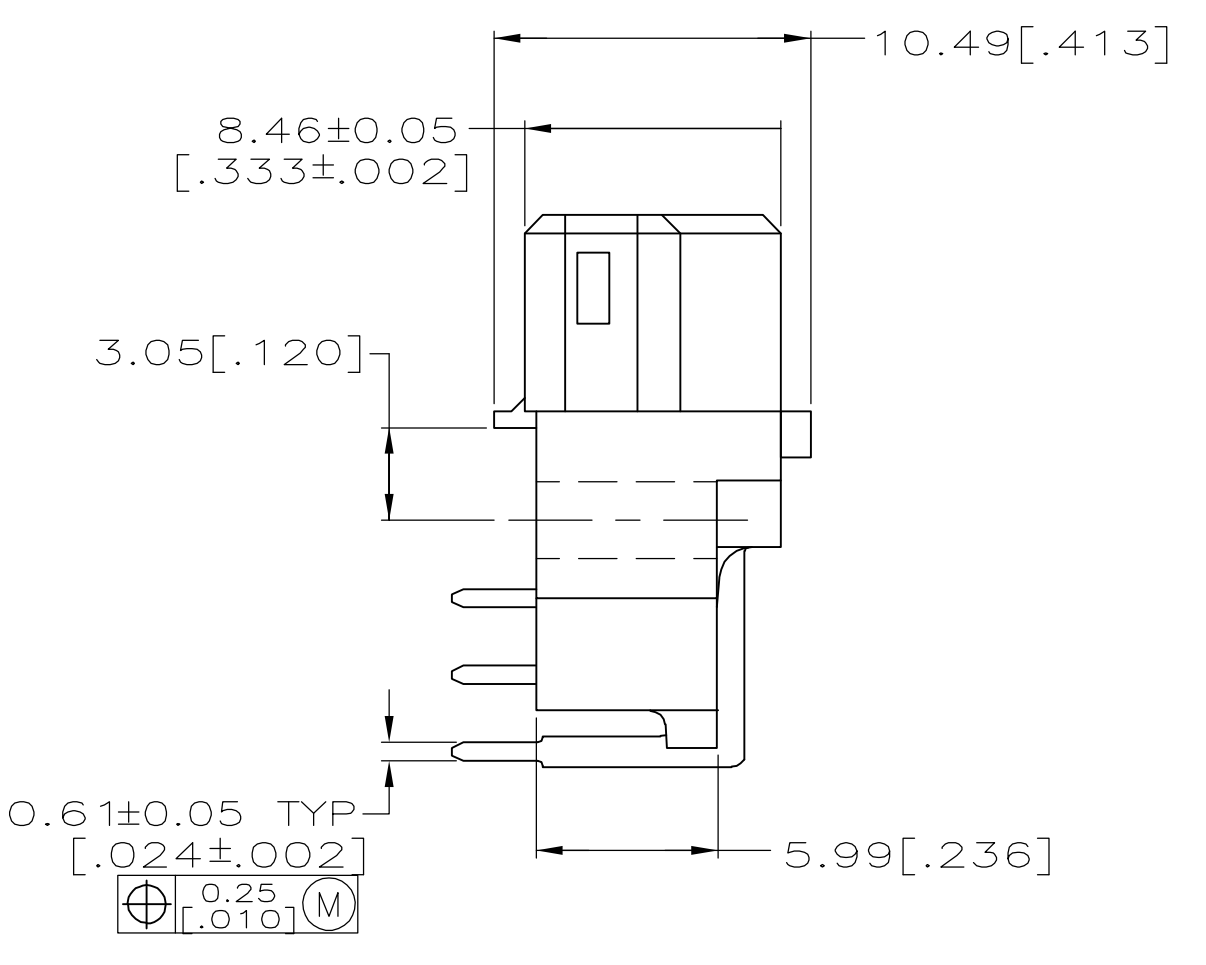
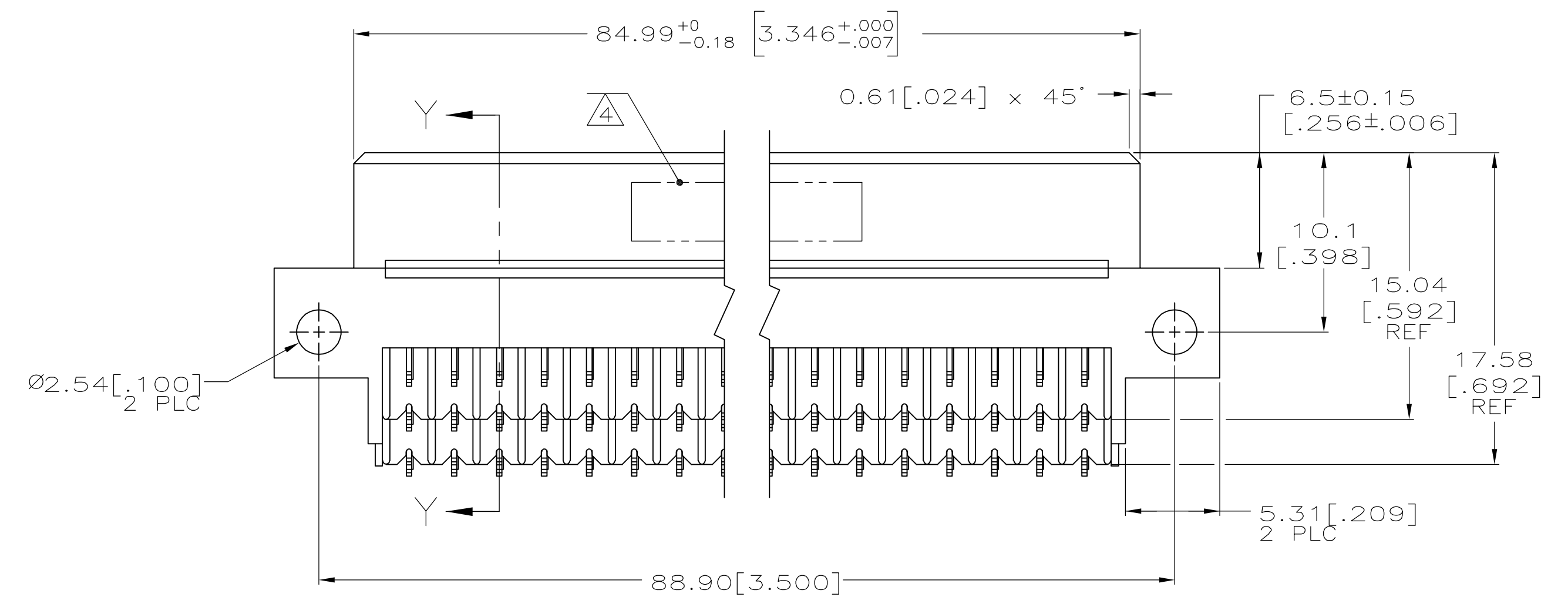
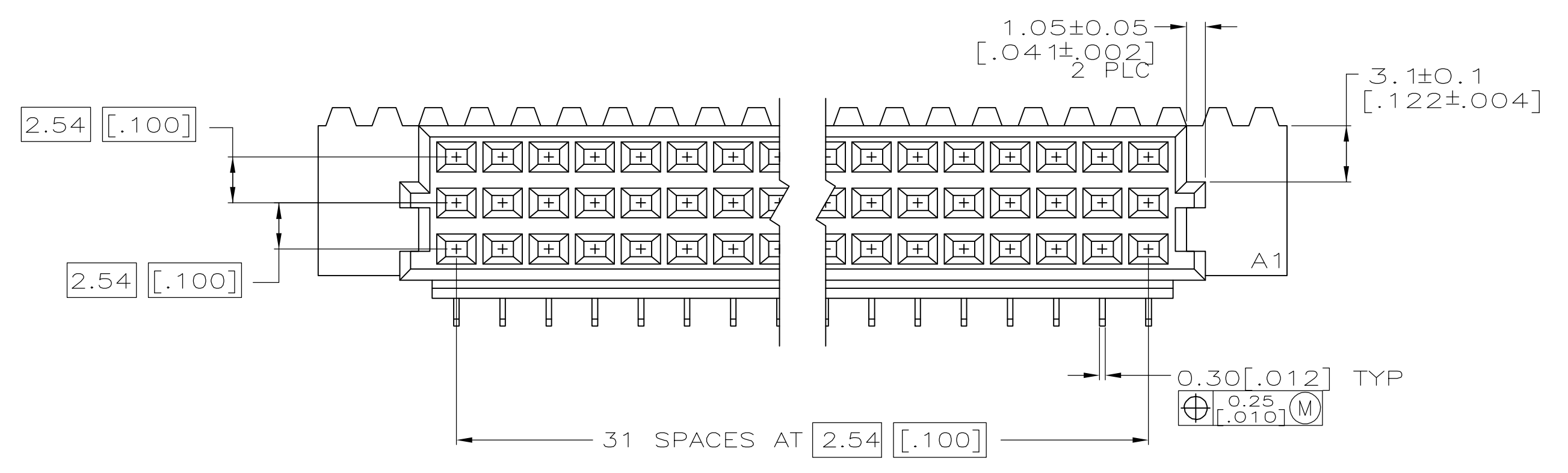


LOC		DIST		REVISONS			
AD	25			DESCRIPTION	DATE	DWN	APVD
		0		RELEASE PER EC 0512-0082-05	03JUN05	JDP	AMS



- △ HOUSING MATERIAL: GLASS-FILLED POLYMER.
- △ CONTACT MATERIAL: COPPER ALLOY.
- △ CONTACT FINISH: DIN 41612 CLASS 2 IN CONTACT AREA. TIN PLATE ON POSTS.
- △ PART NUMBER, DATE CODE IDENTIFICATION, CSA LOGO, THIS APPROXIMATE AREA.
- △ CONTACT POINT.
- △ MARKING ON THIS SIDE.
- △ RECOMMENDED HOLE SIZE FOR MANUAL APPLICATION OF CONNECTOR ONTO PC BOARD.

1 THRU 32	X	X	X	96	5650461-5
1 THRU 32	X	X	X	96	5650461-4
POSITIONS LOADED	C	B	A	NO. OF LOADED POSITIONS	ASSY PART NUMBER

THIS DRAWING IS A CONTROLLED DOCUMENT.		DWN J. POLIGNONE 03JUN05	Tyco Electronics Corporation Harrisburg, Pa 17105-3608	
DIMENSIONS: mm [INCHES]		CHK A. SHARPE 03JUN05	NAME ASSEMBLY, RECEPTACLE, EUROCARD, TYPE R, LEAD-FREE, 96 POSITION, 2.79[.110] SOLDER POSTS	
TOLERANCES UNLESS OTHERWISE SPECIFIED:		APPD A. SHARPE 03JUN05	SIZE CAGE CODE DRAWING NO RESTRICTED TO	
0 PLC ± -	1 PLC ± -	PRODUCT SPEC	A1	00779 ©=5650461
2 PLC ± 0.15[.005]	3 PLC ± -	APPLICATION SPEC	SCALE 4:1	SHEET 1 OF 1
4 PLC ± -	ANGLES ± -	FINISH	REV 0	
MATERIAL	FINISH	WEIGHT -	CUSTOMER DRAWING	