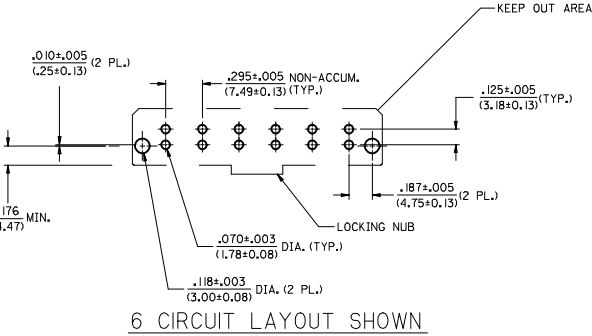


SEE SHEET 2 AND 3 FOR ITEM NUMBER CHART

RECOMMENDED P.C. BOARD LAYOUT FOR VERTICAL HEADERS
SCALE 2:1



NOTES:

- INSULATOR MATERIAL (SEE CHART):
A = 30% GLASS FILLED 46 NYLON, 94V-0, COLOR: BLACK.
TERMINAL MATERIAL: C26000 BRASS
- TERMINAL FINISH: 35 MICRINCH (0.88 MICROMETER) MINIMUM TIN OVER 20 MICRINCH (0.50 MICROMETER) MINIMUM COPPER.
* THE PRIMARY SHIPPING CARTON WILL BE LABELED "COMPLIANT TO RoHS DIRECTIVE 2002/95/EC AND ELV ANNEX II OF DIRECTIVE 2000/53/EC." CARTONS WITHOUT THIS LABEL MAY CONTAIN PRODUCT WITH TIN-LEAD IN THE PC TAILS.
- PRODUCT SPECIFICATION: PSX-44441-9999.
- PACKAGING: SEE CHART.
- THESE HEADERS MATE WITH 43179, 43335, OR 44441 RECEPTACLE HOUSINGS.
- SEE SHEETS 1, 2 AND 3, FOR VERTICAL HEADER ASSEMBLIES AND THEIR RESPECTIVE PART NUMBERS.
- SEE SHEETS 4, 5 AND 6, FOR RIGHT ANGLE HEADER ASSEMBLIES AND THEIR RESPECTIVE PART NUMBERS.
- DIMENSIONS ARE FOR REFERENCE ONLY, UNLESS INDICATED OTHERWISE.

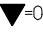
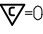
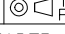
SOLDER TAIL	DIM. "A" ±.020/(0.51)
SHORT	.150/(3.81)
LONG	.210/(5.33)

BOARD LOCK	DIM. "B" ±.004/(0.15)
.062	.070/(1.78)
.094	.102/(2.59)
.125	.133/(3.38)

REMOVE 94V-2 MAT'L EIC NO. UCF2009-0067 DRAWN: JIKOSTEINER 2009/03/05 CHKD: AELHAG 2009/03/05 APPR: FSW TH 2009/03/05 REV DESCRIPTION	QUALITY SYMBOLS ▽=0 ▽=0		GENERAL TOLERANCES (UNLESS SPECIFIED) <table border="1"> <thead> <tr> <th></th> <th>mm</th> <th>INCH</th> </tr> </thead> <tbody> <tr> <td>4 PLACES</td> <td>±.005</td> <td>±.0005</td> </tr> <tr> <td>3 PLACES</td> <td>±.010</td> <td>±.0010</td> </tr> <tr> <td>2 PLACES</td> <td>±.015</td> <td>±.0015</td> </tr> <tr> <td>1 PLACE</td> <td>±.025</td> <td>±.0025</td> </tr> </tbody> </table> ANGULAR ±1/2°			mm	INCH	4 PLACES	±.005	±.0005	3 PLACES	±.010	±.0010	2 PLACES	±.015	±.0015	1 PLACE	±.025	±.0025	DIMENSION STYLE IN/MM	
		mm	INCH																		
	4 PLACES	±.005	±.0005																		
	3 PLACES	±.010	±.0010																		
2 PLACES	±.015	±.0015																			
1 PLACE	±.025	±.0025																			
	DRAWN BY DATE GC 11/30/95		CHECKED BY DATE KBP 11/30/95		SCALE 3:1 DESIGN UNITS INCH THIRD ANGLE PROJECTION																
	DRAFT WHERE APPLICABLE MUST REMAIN WITHIN DIMENSIONS		APPROVED BY DATE RAS 11/30/95		MATERIAL NO. SEE CHART DOCUMENT NO. SDA-43160-**** MOLEX INCORPORATED																
			SIZE D THIS DRAWING CONTAINS INFORMATION THAT IS PROPRIETARY TO MOLEX INCORPORATED AND SHOULD NOT BE USED WITHOUT WRITTEN PERMISSION		SHEET NO. 1 OF 6																

6	1
5	1
4	1
3	1
2	1
1	1

	20	19	18	17	16	15	14	13	12	11	10	9	8	7	6	5	4	3	2	1		
M	VERTICAL HEADER ASSEMBLY ITEM NO.	PART CHARACTERISTICS FOR VERTICAL HEADER				PACKAGING SPECIFICATIONS	VERTICAL HEADER ASSEMBLY ITEM NO.	PART CHARACTERISTICS FOR VERTICAL HEADER				PACKAGING SPECIFICATIONS	VERTICAL HEADER ASSEMBLY ITEM NO.	PART CHARACTERISTICS FOR VERTICAL HEADER				PACKAGING SPECIFICATIONS				
		CIRCUIT SIZE	HSG. MAT'L (SEE NOTE 1)	SOLDER TAIL	BOARD LOCK		CIRCUIT SIZE	HSG. MAT'L (SEE NOTE 1)	SOLDER TAIL	BOARD LOCK		CIRCUIT SIZE	HSG. MAT'L (SEE NOTE 1)	SOLDER TAIL	BOARD LOCK							
	43160-0102	2	A	SHORT	N/A	PK-43160-0010	43160-0104	4	A	SHORT	N/A	PK-43160-0010	43160-0106	6	A	SHORT	N/A	PK-43160-0010				
	43160-0302	2	A	LONG	N/A	PK-43789-001	43160-0304	4	A	LONG	N/A	PK-43789-001	43160-0306	6	A	LONG	N/A	PK-43789-001				
L	43160-2102	2	A	SHORT	.062	PK-43789-001	43160-2104	4	A	SHORT	.062	PK-43789-001	43160-2106	6	A	SHORT	.062	PK-43789-001				
	43160-4102	2	A	SHORT	.094	PK-43789-001	43160-4104	4	A	SHORT	.094	PK-43789-001	43160-4106	6	A	SHORT	.094	PK-43789-001				
	43160-4302	2	A	LONG	.094	PK-43789-001	43160-4304	4	A	LONG	.094	PK-43789-001	43160-4306	6	A	LONG	.094	PK-43789-001				
	43160-6302	2	A	LONG	.125	PK-43789-001	43160-6304	4	A	LONG	.125	PK-43789-001	43160-6306	6	A	LONG	.125	PK-43789-001				
K	43160-0103	3	A	SHORT	N/A	PK-43160-0010	43160-0105	5	A	SHORT	N/A	PK-43160-0010										
	43160-0303	3	A	LONG	N/A	PK-43789-001	43160-0305	5	A	LONG	N/A	PK-43789-001										
	43160-2103	3	A	SHORT	.062	PK-43789-001	43160-2105	5	A	SHORT	.062	PK-43789-001										
	43160-4103	3	A	SHORT	.094	PK-43789-001	43160-4105	5	A	SHORT	.094	PK-43789-001										
J	43160-4303	3	A	LONG	.094	PK-43789-001	43160-4305	5	A	LONG	.094	PK-43789-001										
	43160-6303	3	A	LONG	.125	PK-43789-001	43160-6305	5	A	LONG	.125	PK-43789-001										

REMOVE 94V-2 P/NS IEC NO: UCF2009-0067 DRAWN: KJOSTEMELER 2009/03/05 CHECKED: AELHAG 2009/03/05 APPROVED: FSW TH 2009/03/05	QUALITY SYMBOLS  = 0.05  = 0.1	GENERAL TOLERANCES (UNLESS SPECIFIED)		DIMENSION STYLE IN/MM		SCALE 1:1	DESIGN UNITS INCH	 THIRD ANGLE PROJECTION
		4 PLACES ±.05 ±.05 3 PLACES ±.05 ±.005 2 PLACES ±0.13 ±.01 1 PLACE ±0.25 ±.	mm INCH	DRAWN BY GC DATE 11/30/95	TITLE SABRE HEADER ASSY VERTICAL, 2-6 & 8 CIR.			
		ANGULAR ±1/2°		CHECKED BY KBP DATE 11/30/95	MOLEX INCORPORATED			
		DRAFT WHERE APPLICABLE MUST REMAIN WITHIN DIMENSIONS		APPROVED BY RAS DATE 11/30/95	MATERIAL NO. SEE CHART	DOCUMENT NO. SDA-43160-****	SHEET NO. 2 OF 6	