



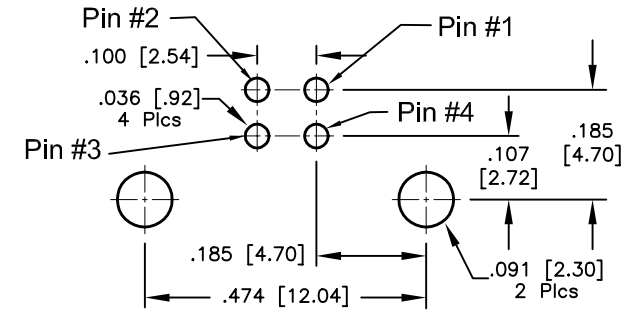
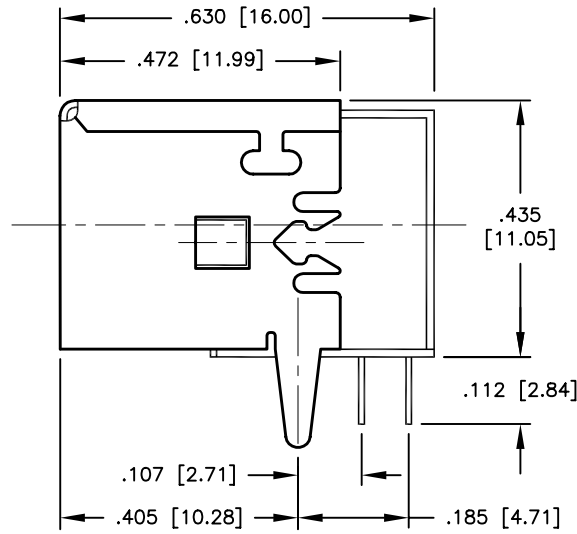
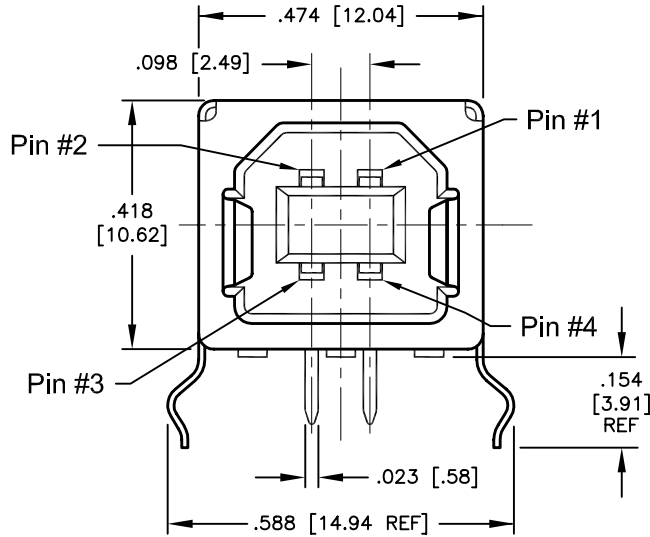
ALL RIGHTS RESERVED. NO PORTION OF THIS PUBLICATION, WHETHER IN WHOLE OR IN PART CAN BE REPRODUCED WITHOUT THE EXPRESS WRITTEN CONSENT OF SPC TECHNOLOGY.

SPC-F005.DWG

REVISIONS

DOC. NO. SPC-F005 * Effective: 7/8/02 * DCP No: 1398

DCP #	REV	DESCRIPTION	DRAWN	DATE	CHECKD	DATE	APPRVD	DATE
809	A	RELEASED	JWM	2/24/00	HO	10/14/02	DJC	11/5/02
987	B	Added Pin numbers	JWM	6/24/03	HO	6/24/03	HO	6/24/03



SUGGESTED MOUNTING CONFIGURATION

SPECIFICATIONS

HOUSING:

THERMOPLASTIC, GLASS FIBER FILL, UL94V-0.
COLOR: BLACK

CONTACT:

PHOSPHOR BRONZE, GOLD PLATING ON CONTACT INTERFACE AND TIN-LEAD PLATING ON SOLDER TAIL, ALL OVER NICKEL UNDERPLATING.

SHELL:

PHOSPHOR BRONZE, TIN-LEAD PLATING OVER NICKEL PLATING

ELECTRICAL:

INSULATION RESISTANCE: 1000 Megohm (MIN)
DIELECTRIC WITHSTAND VOLTAGE: 750 VAC
VOLTAGE: 30 VAC (RMS)
CURRENT: 1.0 AMP PER CONTACT
CONTACT RESISTANCE: 30 milliohm (MAX)

MECHANICAL:

MATING FORCE: 35 NEWTONS (MAX)
UNMATING FORCE: 10 NEWTONS (MIN)

ENVIRONMENTAL:

TEMPERATURE RANGE: -55°C TO +85°C

DISCLAIMER:
ALL STATEMENTS AND TECHNICAL INFORMATION CONTAINED HEREIN ARE BASED UPON INFORMATION AND/OR TESTS WE BELIEVE TO BE ACCURATE AND RELIABLE. SINCE CONDITIONS OF USE ARE BEYOND OUR CONTROL, THE USER SHALL DETERMINE THE SUITABILITY OF THE PRODUCT FOR THE INTENDED USE AND ASSUME ALL RISK AND LIABILITY WHATSOEVER IN CONNECTION THEREWITH.

TOLERANCES:
UNLESS OTHERWISE SPECIFIED, DIMENSIONS ARE FOR REFERENCE PURPOSES ONLY.

DRAWN BY:	DATE:
Jeff McVicker	2/24/00
CHECKED BY:	DATE:
Hisham Odish	10/14/02
APPROVED BY:	DATE:
Daniel Carey	11/5/02

DRAWING TITLE: USB Type B Female R/A PCB Mount Single, Open Back,			
SIZE	DWG. NO.	ELECTRONIC FILE	REV
A	SPC4936	50N159.dwg	B
SCALE: NTS	U.O.M.: INCHES [mm]	SHEET: 1 OF 1	