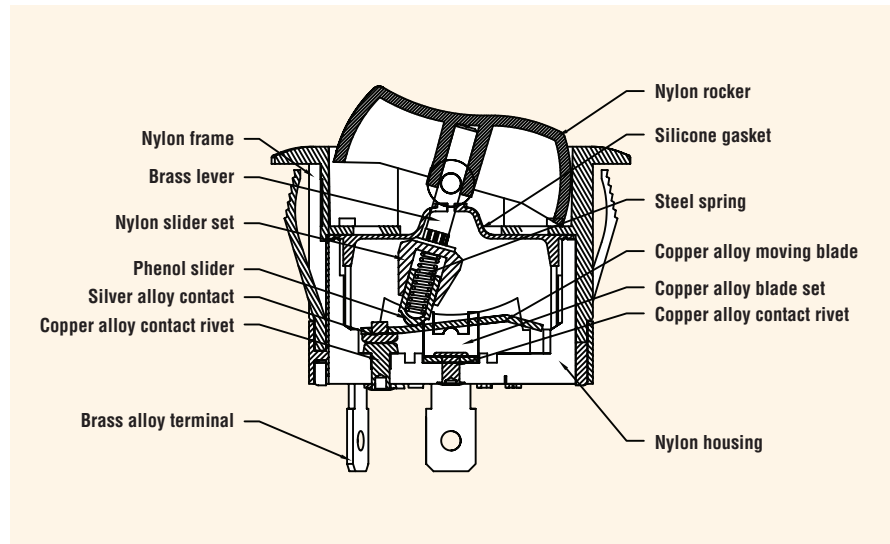


WATERPROOF 16A ROCKER SWITCH

KS Series

Features

- Enclosed switch complying to IP56
- Available in single- or double-pole
- Multiple terminal options
- Snap-in mounting
- Mechanical life: 100,000 cycles
- DC electrical life: 25,000 cycles



Electrical Ratings

Switch Series	VDC	UL1054 Rating	Electrical Life at Rated Load According to UL (Min. Operations)
KS	21A 14VDC	16A 125VAC; 10A 277VAC; 3/4HP 125-277VAC	6,000

Specifications

Electrical

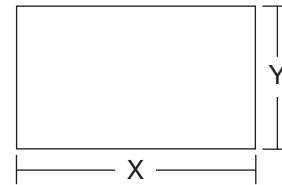
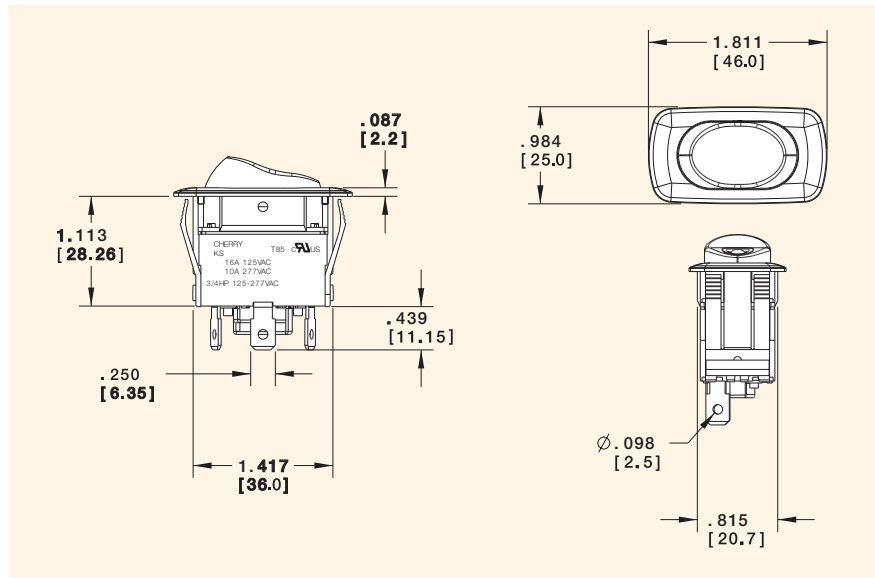
Dielectric Strength:	1500VAC for 1 minute
Insulation Resistance:	10 ⁸ ohms min at 500VDC
Initial Contact Resistance:	0.050 ohms max
Temperature Rating:	-20°C to +85°C

Materials

Actuator:	Nylon 66 with Glass Fiber
Housing:	Nylon 66
Bezel:	Nylon 66 with Glass Fiber
Spring:	Steel
Contacts:	Silver Inlay Copper Alloy
Movable Arm:	Silver-plated Copper Alloy
Terminals:	Silver-plated Copper Alloy



Dimensions inches (mm)



Z = Panel Thickness

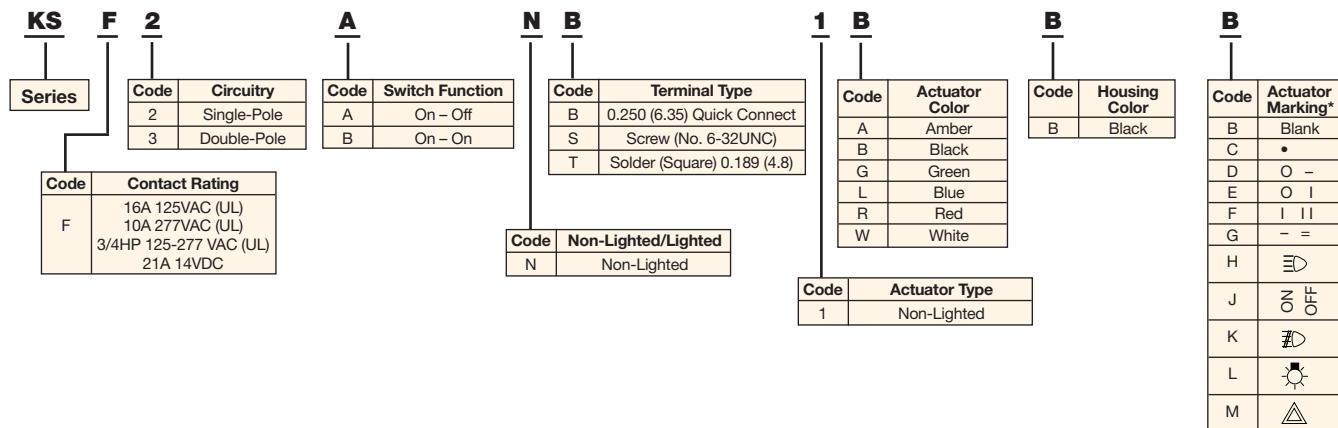
Recommended Panel Cut-Out Dimensions inches (mm)

Dim. Z	Dim. X	Dim. Y
0.030 to 0.049 (0.75 to 1.25)	1.441 (36.60)	0.835 (21.2)
0.049 to 0.079 (1.25 to 2.00)	1.449 (36.80)	0.835 (21.2)
0.079 to 0.118 (2.00 to 3.00)	1.457 (37.00)	0.835 (21.2)

Examples of Common Part Numbers and Descriptions inches (mm)

Part Number	Circuitry	Switch Function	Terminal Type	Actuator/Housing Color	Legend Marking
KSF2ANB1BBD		On - Off	0.250 (6.3) Quick Connect	Black/Black	
KSF2BNB1BBB		On - On	0.250 (6.3) Quick Connect	Black/Black	

Ordering Information



*Only available for non-lighted