

FPG5



Fingergrip

PCB · 5 x 20 mm

**Beschreibung**

- Cap is available slotted or fingergrip
- Horizontal style

Standards

- IEC 60127-6
- UL 512
- CSA C22.2 no. 39

Approvals

- VDE License Number: 129098
- UL File Number: E39328

References

General Product Information

Weblinks

Approvals: <http://www.schurter.com/approvals>
 RoHS: <http://www.schurter.com/rohs>

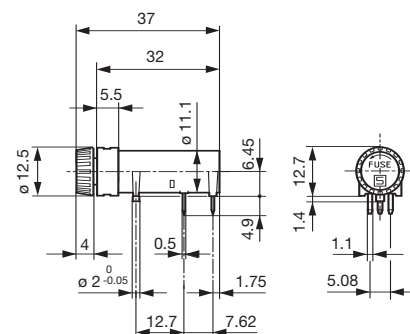
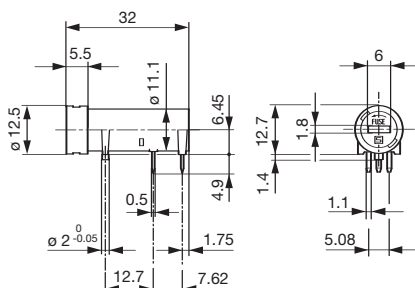
Technical Data

| | |
|------------------------------|--|
| Shocksafe Category | PC2 |
| Fuse-Link | 5 x 20 mm |
| Mounting | PCB |
| Terminals | Solder THT |
| Rated Voltage | 250 VAC |
| Rated Current | 10 A (VDE), 16 A (UL/CSA) |
| Rated Power Acceptance | 2.5 W / 10 A @ Ta 23 °C Admissible power acceptance at higher ambient temperature see derating curves |
| Degree of Protection | IP 40 |
| Protection Class | Suitable for appliances with protection class I or II acc. to IEC 61140 |
| Admissible Ambient Air Temp. | -40 °C to 85 °C |
| Climatic Category | 40/085/21 acc. to IEC 60068-1 |
| Material: Socket | Thermoplastic, Black, UL 94V-0 |
| Material: Terminals | Tin-Plated Copper Alloy |
| Unit Weight (Socket/Cap) | 4.31 g |
| Stock Conditions | 0 °C to 60 °C, max. 70% r.h. |
| Product Marking | Type, Voltage Rating, Power Acc./Current Ratings, Approvals |

| | |
|------------------------------|--|
| Soldering Methods | Wave |
| Solderability | 235 °C / 2 sec acc. to IEC 60068-2-20, Test Ta, method 1 |
| Resistance to Soldering Heat | 260 °C / 10 sec acc. to IEC 60068-2-20, Test Tb, method 1A |
| Contact Resistance | < 5 mΩ at 20 mV |
| Dielectric Strength | > 3 kV between L-N (50 Hz; 1 min) |
| Impulse Withstand Voltage | > 4 kV between L-N |
| Insulation Resistance | > 10 MΩ between L-N (500 VDC; 1 min) |
| Overvoltage Category | I - III acc. to IEC 60664-1 |
| Pollution Degree | 1 - 3 acc. to IEC 60664-1 |
| Resistance to Vibration | acc. to IEC 60068-2-6, test Fc |

Dimensions

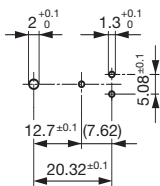
Length 32 mm



Variant 3101.0050

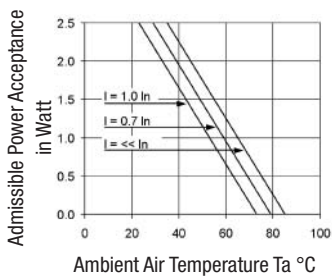
Variant Fingergrip 3101.0055

FPG5



Drilling diagram

Derating Curves



Variants

| Order Number | Holder | Cap | Terminals | Degree of Protection |
|--------------|--------|------------|-----------|----------------------|
| 3101.0050 | ● | Slotted | Straight | IP 40 |
| 3101.0055 | ● | Fingergrip | Straight | IP 40 |

White and grey colours available on request

Packaging Unit Bulk (100 pcs.)