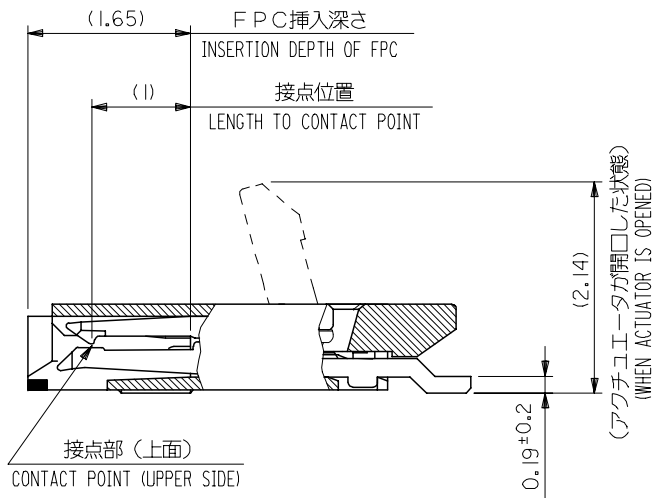
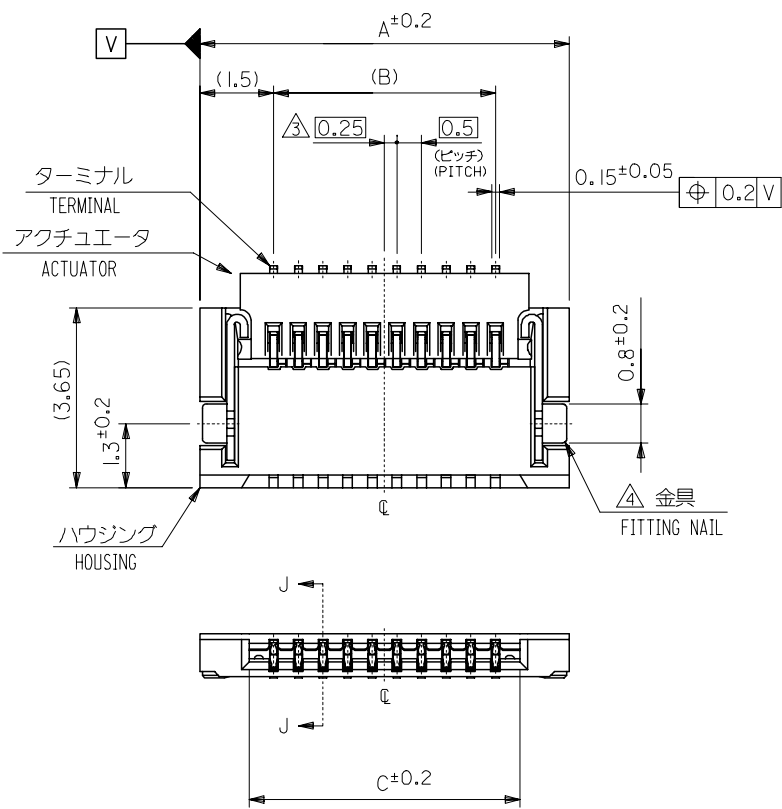


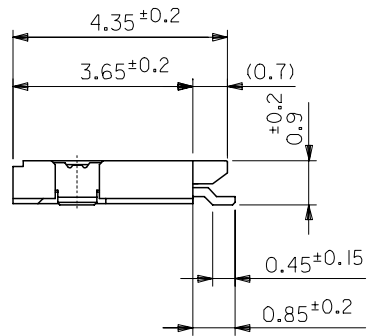
10 9 8 7 6 5 4 3 2 1

F  
E  
D  
C  
B  
A

F  
E  
D  
C  
B  
A

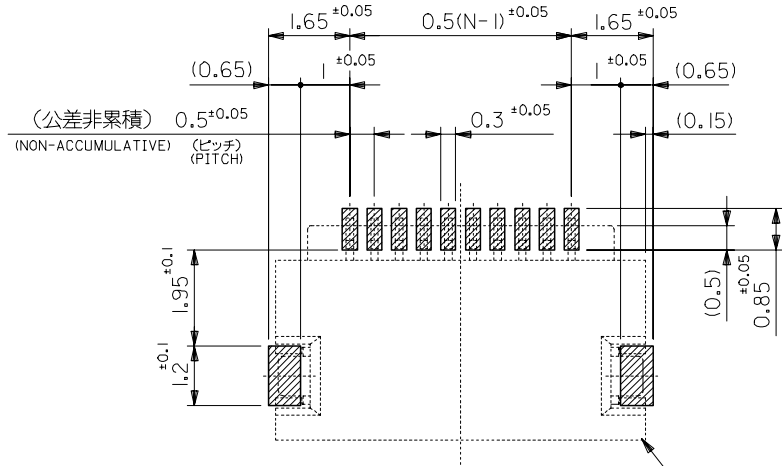


SECT. J-J



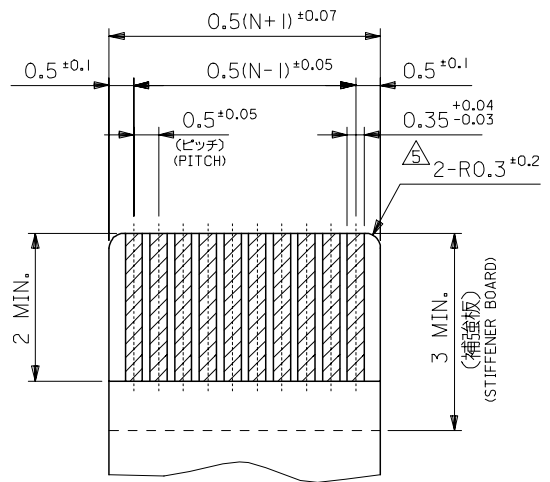
12.5	11.5	14.5	51345-2439	24
10.0	9.0	12.0	51345-1939	19
9.5	8.5	11.5	51345-1839	18
9.0	8.0	11.0	51345-1739	17
3.5	2.5	5.5	51345-0639	6
2.5	1.5	4.5	51345-0439	4
C	(B)	A	製品番号 MATERIAL No.	極数 CKT.
51345-**39			MODEL No.	

RELEASED EC NO: J2005-2352 DRAWN: NAIDA 2005/02/14 CHKD: KTOYODA 2005/02/15 APPR: NUKITA 2005/02/17	GENERAL TOLERANCES (UNLESS SPECIFIED)		DIMENSION STYLE MM ONLY		SCALE ---	DESIGN UNITS METRIC	THIRD ANGLE PROJECTION
	10 UNDER	± ---	DRAWN BY N. AIDA	DATE '05/02/10	TITLE 0.5 FPC CONN E0 HSG ASSY UPR CONT (HGT=0.9MM) -LEAD FREE-		
	10 OVER 30 UNDER	± ---	CHECKED BY K. TOYODA	DATE '05/02/10	MOLEX INCORPORATED		
	30 OVER	± ---	APPROVED BY N. UKITA	DATE '05/02/10	DOCUMENT NO. SD-51345-007		
	ANGULAR	± --- °	MATERIAL NO.	SEE CHART	SHEET NO. 1 OF 2		
0	DRAFT WHERE APPLICABLE MUST REMAIN WITHIN DIMENSIONS		SIZE A3		THIS DRAWING CONTAINS INFORMATION THAT IS PROPRIETARY TO MOLEX INCORPORATED AND SHOULD NOT BE USED WITHOUT WRITTEN PERMISSION		



参考基板レイアウト  
P.C.BOARD PATTERN  
DIMENSION (REF.)  
(マウント面)  
(MOUNTING SIDE)

コネクタ位置  
CONNECTOR POSITION



適合FPC推奨寸法  
APPLICABLE FPC  
RECOMMENDED DIMENSION  
(仕上がり厚さ: 0.12 ±0.03)  
(THICKNESS: 0.12 ±0.03)

注記 NOTES

I. 使用材料 MATERIAL

- ハウジング HOUSING : 液晶ポリマー (LCP), ガラス充填, UL 94V-0, 色: 自然色 (ベージュ) LIQUID CRYSTAL POLYMER(LCP) GLASS FILLED, UL94V-0 COLOR: NATURAL (BEIGE)
- アクチュエータ ACTUATOR : ポリフェニレンサルファイド (PPS), ガラス充填, UL 94V-0, 色: 茶色 POLYPHENYLENE SULFIDE(PPS), GLASS FILLED, UL94V-0, COLOR: BROWN
- ターミナル TERMINAL : 銅合金 (t=0.15) 金メッキ (コンタクト部) 金メッキ (テール部) COPPER ALLOY GOLD PLATING (CONTACT AREA) GOLD PLATING (TAIL AREA)
- 金具 FITTING NAIL : リン青銅, ニッケル下地 鍍メッキ (t=0.15) PHOSPHOR BRONZE, TIN OVER NICKEL PLATING

2. エンボステープ梱包時は、アクチュエータが開いた状態とする。  
IN THE PACKAGE, ACTUATOR OF PART NO.51345-\*\*-39 SHOULD BE OPENED.
- △ 偶数極に適用。  
APPLY FOR EVEN CIRCUIT.
- △ パターンはくり止め用金具  
FITTING NAIL FOR PREVENTION OF PEELING OF P.C.B. PATTERN.
- △ R0.3は、FPCの導体部にかからないこと。  
R0.3 MUST NOT BE OVERLAPPED TO PATTERN OF FPC.
6. 本製品は 51345-\*\*-37 の金具を錫メッキにしたものである。  
THIS PRODUCT IS TIN-PLATED NAIL OF 51345-\*\*-37.

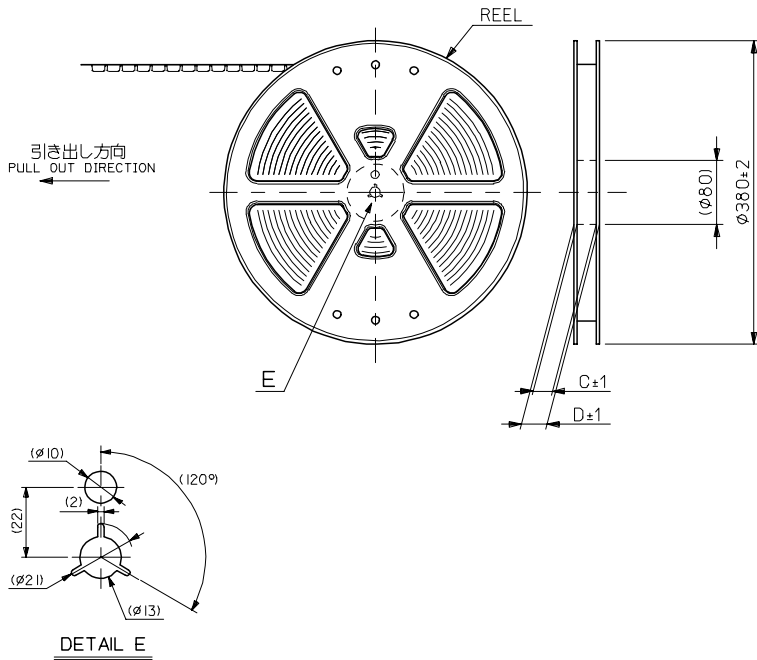
FPCについて:

打抜き方向は導体側から補強板側を推奨致します。  
補強フィルム材質はポリイミドを推奨致します。  
接着剤は熱硬化接着剤を推奨致します。

ABOUT FPC:

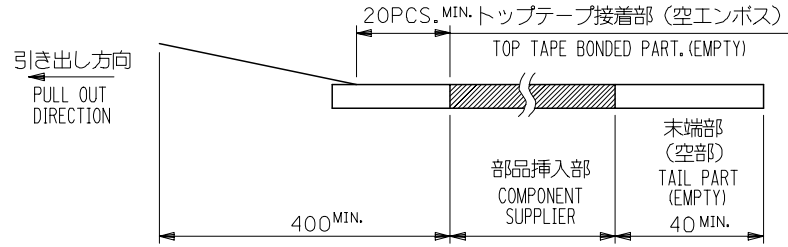
RECOMMENDED PUNCHER DIRECTION : FROM CONDUCTOR SIDE TO STIFFENER BOARD SIDE.  
RECOMMENDED MATERIAL:  
STIFFENER FILM : POLYIMIDE  
BONDING AGENT : THERMOSETTING BONDING AGENT

RELEASED EC NO: J2005-2352 DRAWN: AIDA 2005/02/14 CHK'D: K. TOYODA 2005/02/15 APPR: NUKITA 2005/02/17	GENERAL TOLERANCES (UNLESS SPECIFIED)		DIMENSION STYLE MM ONLY		SCALE ---	DESIGN UNITS METRIC	51345-**-39	MODEL No.
	10 UNDER	± ---	DRAWN BY N. AIDA	DATE '05/02/10	TITLE 0.5 FPC CONN E0 HSG ASSY UPR CONT (HGT=0.9MM) -LEAD FREE-			
	10 OVER 30 UNDER	± ---	CHECKED BY K. TOYODA	DATE '05/02/10	MOLEX INCORPORATED			
	30 OVER	± ---	APPROVED BY N. UKITA	DATE '05/02/10	DOCUMENT NO. SD-51345-007		SHEET NO. 2 OF 2	
	ANGULAR ± --- °		MATERIAL NO. SEE CHART		THIS DRAWING CONTAINS INFORMATION THAT IS PROPRIETARY TO MOLEX INCORPORATED AND SHOULD NOT BE USED WITHOUT WRITTEN PERMISSION			
DRAFT WHERE APPLICABLE MUST REMAIN WITHIN DIMENSIONS		SIZE A3						

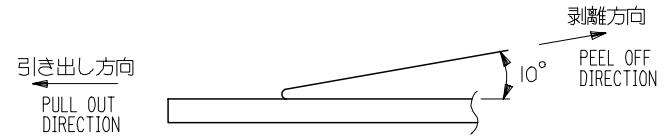


NOTES

- 製品詳細寸法については図面 SD-51345-007 を参照下さい。  
RE DETAILED DIMENSION, SEE SD-51345-007
- 梱包数量：2000個/リール  
NUMBER OF CONNECTORS : 2000PCS/REEL
- リードテープ長さ LEAD TAPE LENGTH



- トップテープの剥離強度：0.1N~1.3N (10gf~130gf) (剥離方向は下図参照)  
尚、本規格値は出荷時に適用。(但し、輸送時に剥離が発生しないこと。)  
PEELING OFF FORCE OF TOP TAPE : 0.1N~1.3N (10gf~130gf)  
(PEELING DIRECTION AS SHOWN IN FOLLOWING FIG.)  
THIS REQUIREMENT SHOULD BE APPLIED AT SHIPMENT.  
PEEL OFF SHOULD NOT BE ALLOWED ,DURING TRANSPORTATION.



- 材料(MATERIAL)  
キャリアテープ(CARRIER TAPE)：ポリプロピレン(POLYPROPYLENE)  
トップテープ(TOPTAPE)：PET、PE、PEF  
リール(REEL)：ポリスチレン(PS) <リサイクル材を含む>  
POLYSTYRENE(PS) <RECYCLE MATERIAL CONTAINED>
- 本製品は51345-\*\*92の金具を錫メッキにしたものである。  
THIS PRODUCT IS TIN-PLATED NAIL OF 51345-\*\*92.

RELEASED EC NO: J2005-2352 DRAWN: NAIDA 2005/02/14 CHKD: KTOYODA 2005/02/15 APPR: NUKITA 2005/02/17		GENERAL TOLERANCES (UNLESS SPECIFIED)		DIMENSION STYLE MM ONLY		SCALE ---	DESIGN UNITS METRIC	51345-**92 MODEL No.	
		10 UNDER ± --- 10 OVER 30 UNDER ± --- 30 OVER ± ---		DRAWN BY DATE N. AIDA '05/02/10 CHECKED BY DATE K. TOYODA '05/02/10 APPROVED BY DATE N. UKITA '05/02/10		TITLE EMBSTP PKG FOR 0.5 FPC CONN EO (HGT=0.9) -LEAD FREE-		THIRD ANGLE PROJECTION	
0 DRAFT WHERE APPLICABLE MUST REMAIN WITHIN DIMENSIONS		ANGULAR ± --- °		MATERIAL NO. SEE CHART		DOCUMENT NO. SD-51345-008		SHEET NO. 1 OF 3	
THIS DRAWING CONTAINS INFORMATION THAT IS PROPRIETARY TO MOLEX INCORPORATED AND SHOULD NOT BE USED WITHOUT WRITTEN PERMISSION									

10 9 8 7 6 5 4 3 2 1

F

E

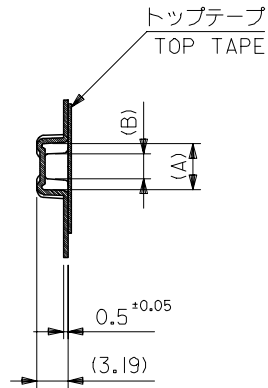
D

C

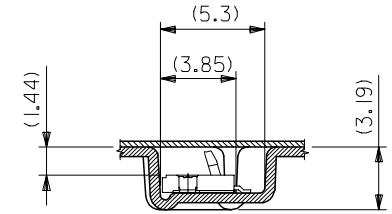
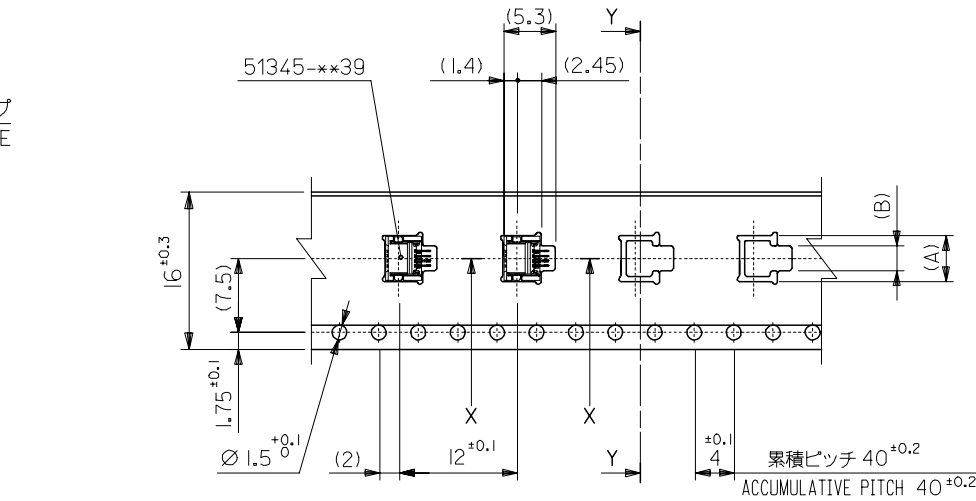
B

A

引き出し方向  
PULL OUT DIRECTION



SECT. Y-Y



SECT. X-X

16mm幅キャリアテープ  
16mm WIDTH CARRIER TAPE

16	21.4	17.4	3.5	5.7	51345-0672	6
キャリアテープ幅 CARRIER TAPE WIDTH	D	C	2.5	4.7	51345-0472	4
			(B)	(A)	製品番号 MATERIAL No.	極数 CK+

RELEASED EC NO: J2005-2352 DRAWN: NAIDA 2005/02/14 CHKD: KTOYODA 2005/02/15 APPR: NUKITA 2005/02/17	GENERAL TOLERANCES (UNLESS SPECIFIED)		DIMENSION STYLE MM ONLY		SCALE ---	DESIGN UNITS METRIC	THIRD ANGLE PROJECTION
	10 UNDER	± ---	DRAWN BY N. AIDA	DATE '05/02/10	TITLE EMBSTP PKG FOR 0.5 FPC CONN EO (HGT=0.9) -LEAD FREE-		
	10 OVER 30 UNDER	± ---	CHECKED BY K. TOYODA	DATE '05/02/10	MOLEX INCORPORATED		
	30 OVER	± ---	APPROVED BY N. UKITA	DATE '05/02/10	DOCUMENT NO. SD-51345-008		
	ANGULAR ± --- °		MATERIAL NO. SEE CHART		SHEET NO. 2 OF 3		
0	DRAFT WHERE APPLICABLE MUST REMAIN WITHIN DIMENSIONS		THIS DRAWING CONTAINS INFORMATION THAT IS PROPRIETARY TO MOLEX INCORPORATED AND SHOULD NOT BE USED WITHOUT WRITTEN PERMISSION				

9

8

7

6

5

4

3

2

10 9 8 7 6 5 4 3 2 1

F

E

D

C

B

A

F

E

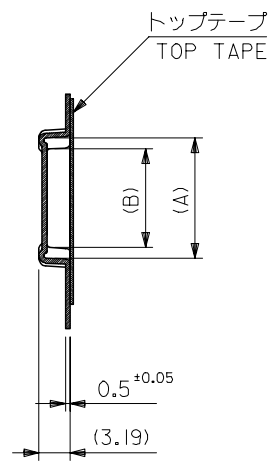
D

C

B

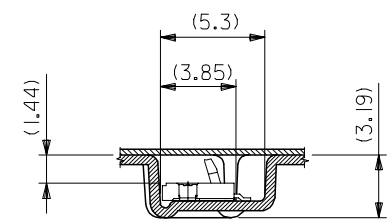
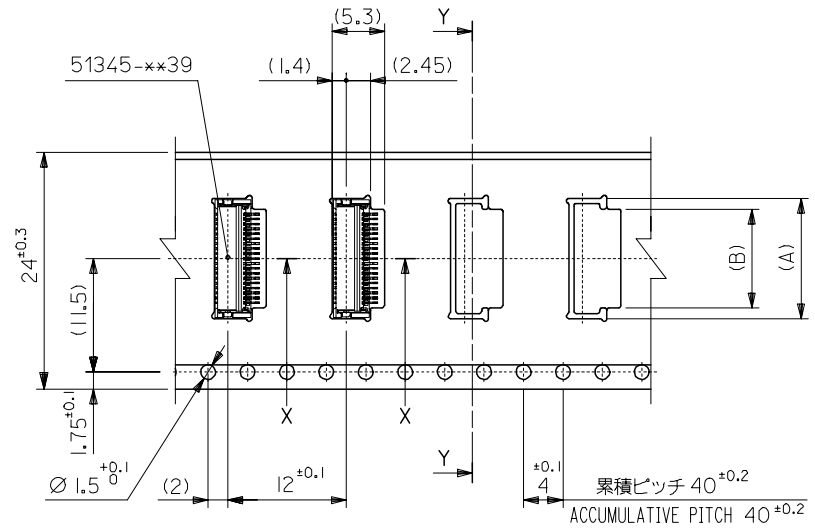
A

引き出し方向  
PULL OUT DIRECTION



SECT. Y-Y

24mm幅キャリアテープ  
24mm WIDTH CARRIER TAPE



SECT. X-X

24	29.4	25.4	12.5	14.7	51345-2472	24	
			10.0	12.2	51345-1972	19	
			9.5	11.7	51345-1872	18	
			9.0	11.2	51345-1772	17	
キャリアテープ幅 CARRIER TAPE WIDTH			D	C	(B) (A)	製品番号 MATERIAL No.	極数 CK+

RELEASED EC NO: J2005-2352 DRAWN: NAIDA 2005/02/14 CHKD: KTOYODA 2005/02/15 APPR: NUKITA 2005/02/17	GENERAL TOLERANCES (UNLESS SPECIFIED)		DIMENSION STYLE MM ONLY		SCALE ---	DESIGN UNITS METRIC	THIRD ANGLE PROJECTION
	10 UNDER	± ---	DRAWN BY N. AIDA	DATE '05/02/11	TITLE EMBSTP PKG FOR 0.5 FPC CONN EO (HGT=0.9) -LEAD FREE-		
	10 OVER 30 UNDER	± ---	CHECKED BY K. TOYODA	DATE '05/02/11			
	30 OVER	± ---	APPROVED BY N. UKITA	DATE '05/02/11	MOLEX INCORPORATED		
	ANGULAR	± --- °	MATERIAL NO.	DOCUMENT NO.			
DRAFT WHERE APPLICABLE MUST REMAIN WITHIN DIMENSIONS		SEE CHART		SD-51345-008	3 OF 3		