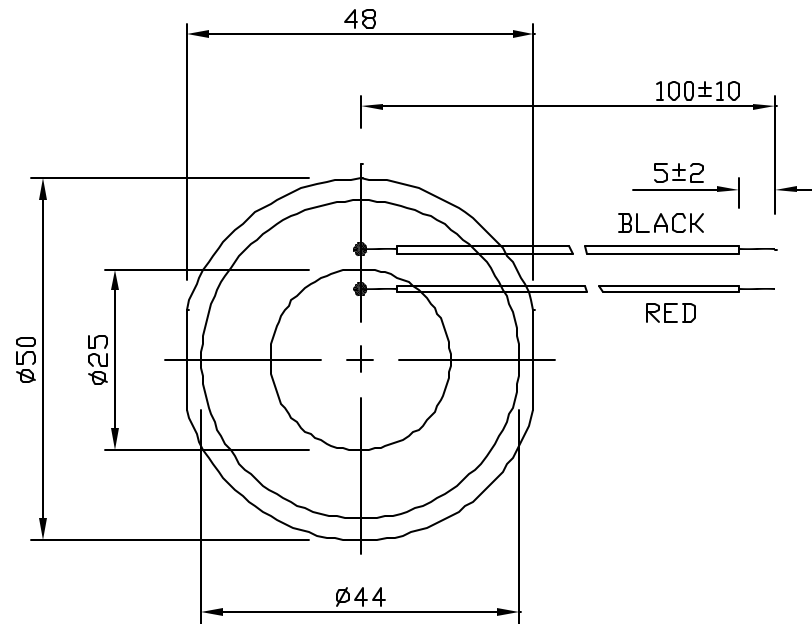


THIS DOCUMENT CONTAINS DATA PROPRIETARY TO PROJECTS UNLIMITED, INC. ANY USE OR REPRODUCTION IN ANY FORM WITHOUT PRIOR WRITTEN PERMISSION OF PROJECTS UNLIMITED, INC. IS PROHIBITED.

SPECIFICATIONS

PARAMETERS	VALUES	UNITS
Rated Voltage (Sine Wave)	5	Vp-p
Operating Voltage	1 ~ 30	Vp-p
Rated Current (Typ.)	3	mA
Minimum Sound Pressure Level @ 10cm.	75	dBA
Lowest Resonant Frequency	1,200 ± 200	Hz
Frequency Range	500 ~ 20,000	Hz
Operating Temperature Range	-20 ~ +60	°C
Storage Temperature Range	-30 ~ +70	°C
Weight	3	g




NOTES:

1. ALL DIMENSIONS ARE IN MILLIMETERS.
2. SPECIFICATION SUBJECT TO CHANGE OR WITHDRAWAL WITHOUT NOTICE.

FILE NAME
APS-100.DWG

REVISIONS

LTR	DESCRIPTION	DATE	APPROVED
-	RELEASED FROM ENGINEERING	3/13/02	
A	REVISED SPL & FREQUENCY	4/10/03	S.J.

UNLESS OTHERWISE SPECIFIED DIMENSIONS ARE IN MILLIMETERS TOLERANCES ARE: FRACTIONS DECIMALS ANGLES ± .XX ±0.5 ±		 projects[®] unlimited Dayton, Ohio	
APPROVALS DRAWN <i>RABL</i> 3/02 CHECKED APPROVED <i>S.J.</i> 3/03		PIEZO CERAMIC SPEAKER APS-100	
SIZE A	MATERIAL	DRAWING NO. APS-100	
DO NOT SCALE DRAWING		SCALE N/A	MAX. WT. SHEET 1 OF 1