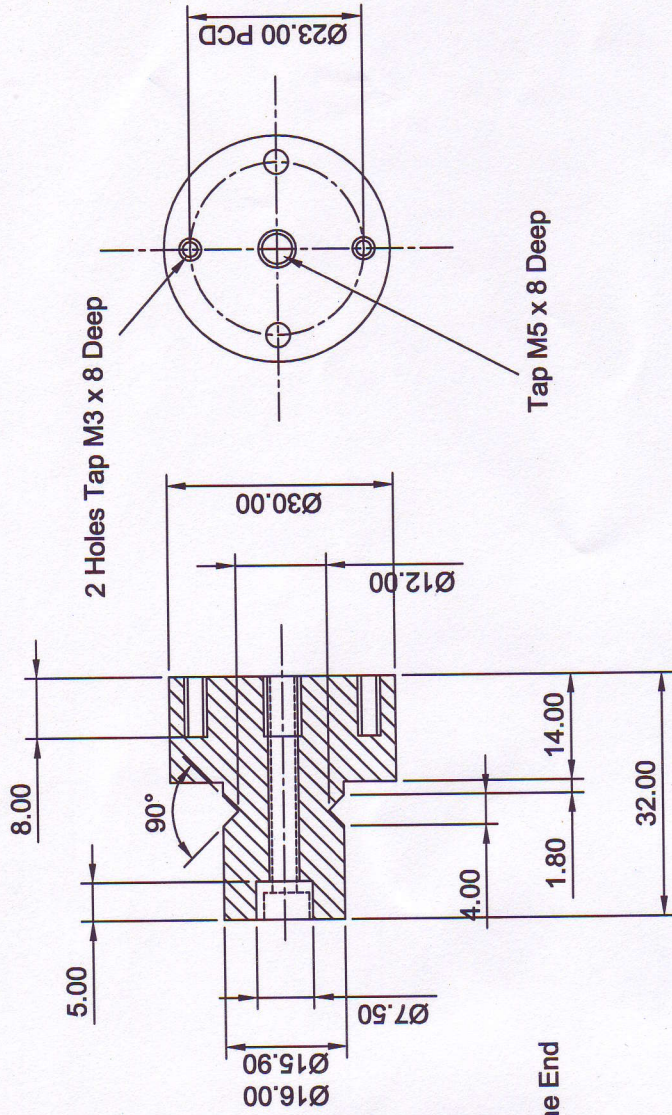


mm



2 Holes Drill 3.2Ø & C/Bored 6.00Ø x 3.5 Deep

1 Hole Drill 4.2Ø & C/Bore 7.5Ø x 5 Deep at One End and Tap M5 x 8 Deep at The Other End

0.5°
0.5mm
0.10mm
0.05mm

2	Material was Silver Anodised	10/04/06	MBG	02/12/04	1:1	Aluminium	Holding Block
1		02/12/04	Concept Mount			Black Anodised	
							1230-00
							402
							1
							1
							2