

10

9

8

7

6

5

4

3

2

1

F

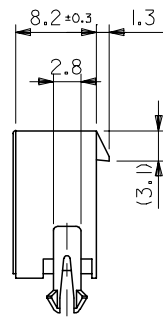
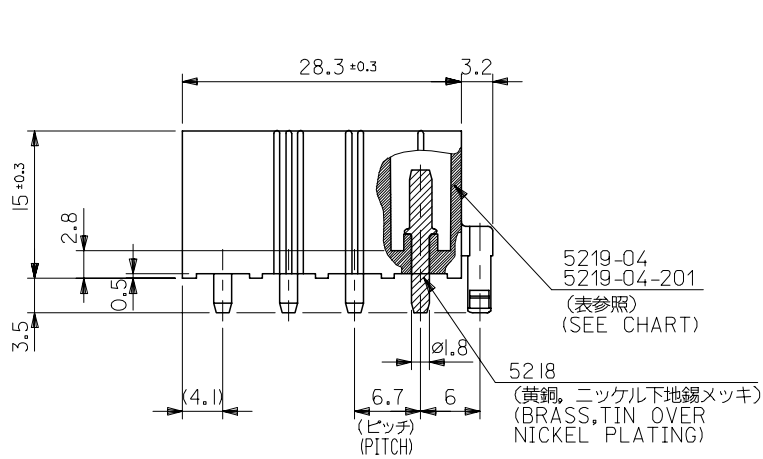
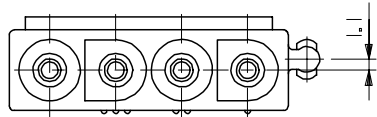
E

D

C

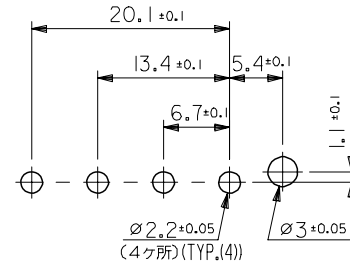
B

A



注記:
NOTES:

1. 適合リセプタクルハウジング: 3191-04R*
TO BE MATED WITH RECEPTACLE HOUSING :
3191-04R*



基板取付穴推奨寸法

RECOMMENDED P.C. BOARD HOLE DIMENSIONS

5219-04A-201	39-28-7048	NYLON66,94V-0
5219-04A	15-31-1046	NYLON66,94V-2
ENG. NO.	EDP NO.	ハウジングの材質 MATERIAL

REVISED EC NO: J2006-0987 DRWN: NABE 2005/09/29 CHKD: TOYODA 2005/09/30 APPR: NUKITA 2005/10/03	GENERAL TOLERANCES (UNLESS SPECIFIED)		DIMENSION STYLE MM ONLY	SCALE 2:1	DESIGN UNITS METRIC	THIRD ANGLE PROJECTION
	10 UNDER	± 0.2	DRAWN BY K. KOHAMA	DATE '00/05/29	TITLE NEW INTERNATIONAL CONN 4 POS. HEADER	
	10 OVER 30 UNDER	± 0.25	CHECKED BY M. FUKUSHIMA	DATE '00/05/29	MOLEX INCORPORATED	
	30 OVER	± 0.3	APPROVED BY M. FUKUSHIMA	DATE '00/05/29	DOCUMENT NO. SD-5219-003	SHEET NO. 1 OF 1
M	DESCRIPTION	ANGULAR ± 3 °	MATERIAL NO.	SEE CHART		
		DRAFT WHERE APPLICABLE MUST REMAIN WITHIN DIMENSIONS	SIZE A3	THIS DRAWING CONTAINS INFORMATION THAT IS PROPRIETARY TO MOLEX INCORPORATED AND SHOULD NOT BE USED WITHOUT WRITTEN PERMISSION		

9

8

7

6

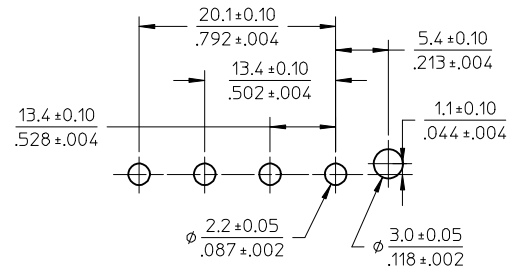
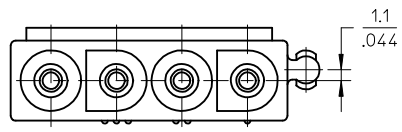
5

4

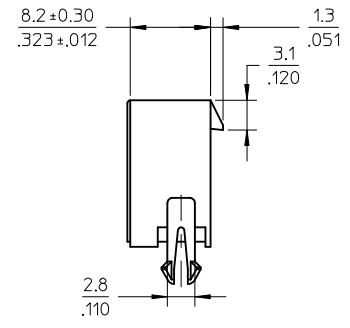
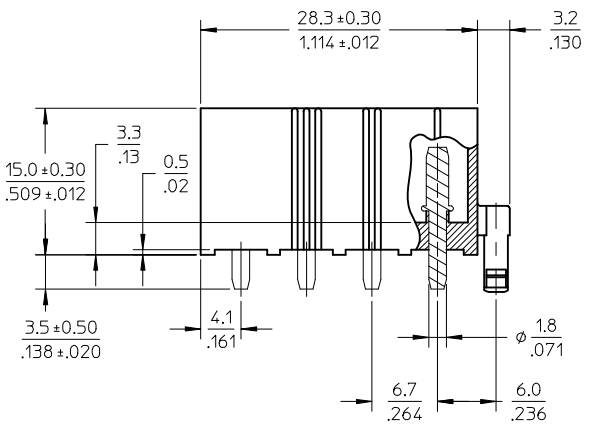
3

2

CIRCUITS	EDP NO.	ENGINEERING NO.
4	15-31-1046	5219-04A

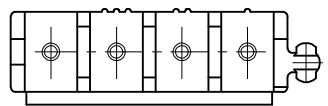


RECOMMENDED P.C.B. HOLE DIM.



NOTES:

- 1) MATERIAL:
HOUSING: NYLON 6/6, UL94V-2, COLOR: NATURAL
TERMINAL: C2700W BRASS
- 2) FINISH: 0.000003/(.0000001) MIN. TIN OVERALL OVER
0.000001/(.00000004) MIN. NICKEL OVERALL
- 3) PRODUCT SPECIFICATION: NONE
- 4) PACKAGING: NONE
- 5) MATES WITH: 3191-04R SERIES
- 6) PARTS CONFORM TO CLASS 'B' REQUIREMENTS OF COSMETIC SPECIFICATION PS-45499-002.



REMOVED DIMENSION EC NO: UCP2009-2076 DRAWN: TRENES 2009/02/24 CHKD: AELHAG 2009/03/13 APPR: FSMITH 2009/04/15	DESCRIPTION K1	QUALITY SYMBOLS	GENERAL TOLERANCES (UNLESS SPECIFIED)	DIMENSION STYLE	SCALE	DESIGN UNITS	THIRD ANGLE PROJECTION	
		▽=0 ▽=0	mm INCH 4 PLACES ± --- ± --- 3 PLACES ± --- ± .005 2 PLACES ± 0.13 ± .010 1 PLACE ± 0.25 ± --- ANGULAR ± 1°	IN/MM DRAWN BY DATE A. ASO 1979/04/08 CHECKED BY DATE MENOMOTO 1979/04/10 APPROVED BY DATE	2:1	METRIC	THIRD ANGLE PROJECTION NEW INTERNATIONAL CONN. HEADER AND ASSY	
		DRAFT WHERE APPLICABLE MUST REMAIN WITHIN DIMENSIONS			MATERIAL NO.	DOCUMENT NO.	SHEET NO.	
					15-31-1046	SD-5219-04A*	1 OF 1	